



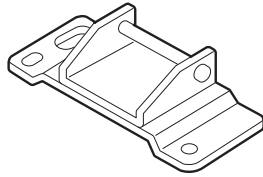
INSTALLATION INSTRUCTIONS

Accessory BICYCLE RACK (INTERIOR) P/N 08L07-S9V-101A	Application 2006 ELEMENT	Publications No. All 31036
		Issue Date OCT 2005

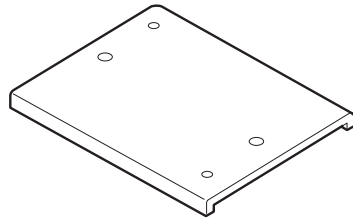
Put this instruction in the glove box with the vehicle owner's manual.

PARTS LIST

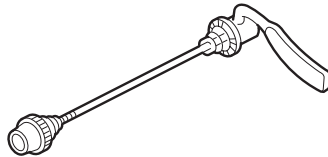
Holder



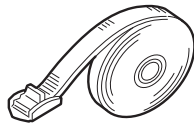
Bracket



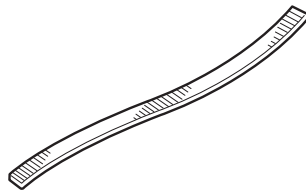
Quick shaft



Belt



2 Velcro fasteners



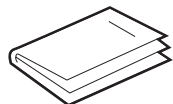
2 Long washer-bolts
(Used for rear position)



2 Short washer-bolts
(Used for front position)



Owner's Manual



TOOLS AND SUPPLIES REQUIRED

12 mm Combination wrench

Drill

3 mm and 10 mm Drill bits

Eye protection (face shield, safety goggles, etc.)

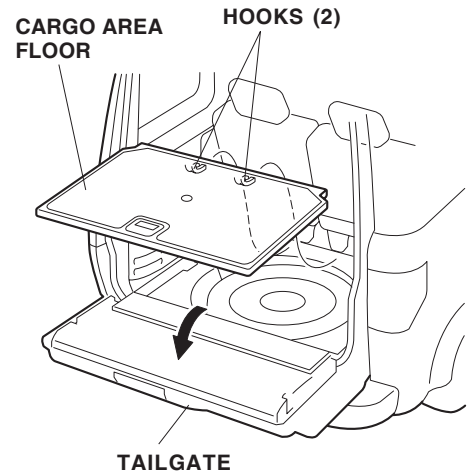
Utility knife

Tape measure

INSTALLATION

Customer Information: The information in this installation instruction is intended for use only by skilled technicians who have the proper tools, equipment, and training to correctly and safely add equipment to your vehicle. These procedures should not be attempted by "do-it-yourselfers."

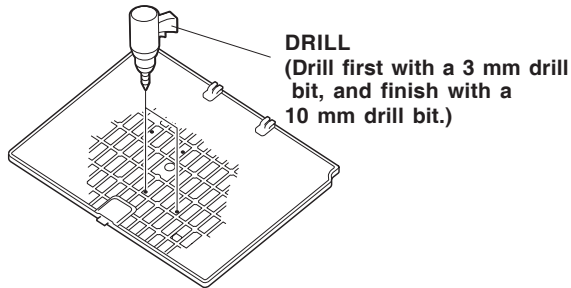
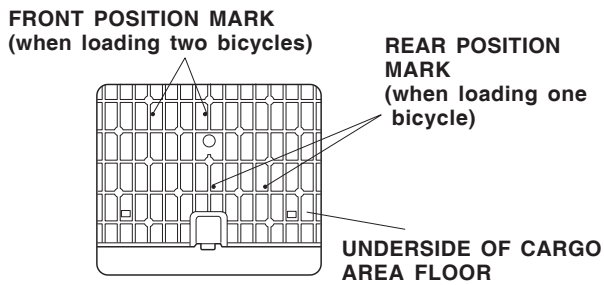
1. Open the hatch and the tailgate, and take out the cargo area floor (two hooks).



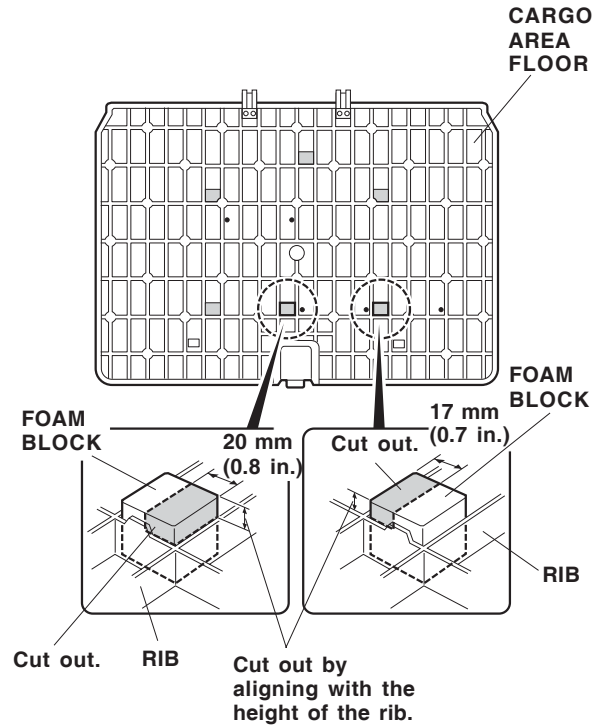
- Turn the cargo area floor over, and locate the four marks on the underside of the cargo area floor. When positioning one bicycle, mount the single bike to the rear position marks.

NOTE: If the vehicle is equipped with an armrest that contains a storage compartment, only one bike will fit. Position the holder to the rear set of marks.

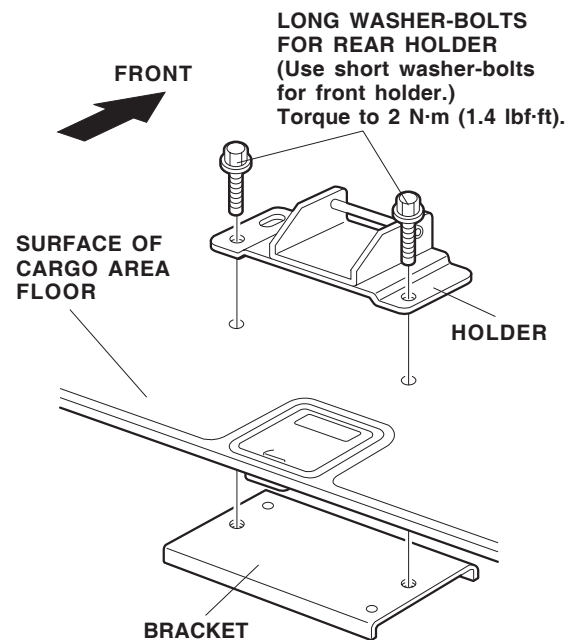
- While wearing eye protection, drill a 3 mm hole, then finish with a 10 mm drill bit through the rear set of marks.
- If installing a second bicycle attachment, drill a 3 mm hole, and finish with a 10 mm drill bit through the other set of marks.



- Using a utility knife, cut out the foam blocks from the underside of the cargo area, as shown.



- Position the holder and bracket on the cargo lid, and install the two washer-bolts. Torque the bolts to 2 N·m (1.4 lbf-ft).



- To install the bicycle to the attachment, refer to the owner's manual supplied.