



INSTALLATION INSTRUCTIONS

Accessory

AIR DEFLECTOR (HOOD)
P/N 08P47-SCV-100

Application

2006 ELEMENT

Publications No.

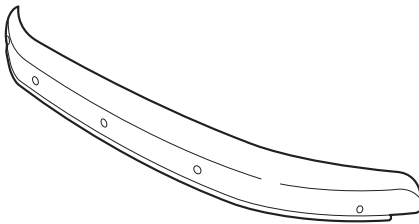


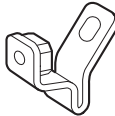

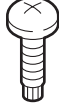
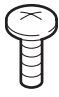
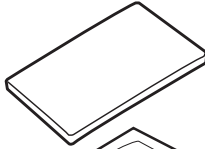
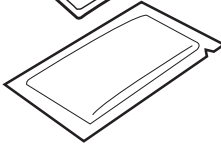


All 31028

Issue Date

OCT 2005

NOTE: The air deflector cannot be installed on a vehicle equipped with a half nose mask.

PARTS LIST

Air deflector	
Center bracket	
2 Front brackets	
2 Side brackets	
4 Plastic grommets	
4 Long screws, 5 x 15 mm	
2 Short screws, 6 x 11 mm	
5 Protective tapes	
Alcohol pad	
3 Clips	
2 Collars	

TOOLS REQUIRED

#2 Phillips screwdriver

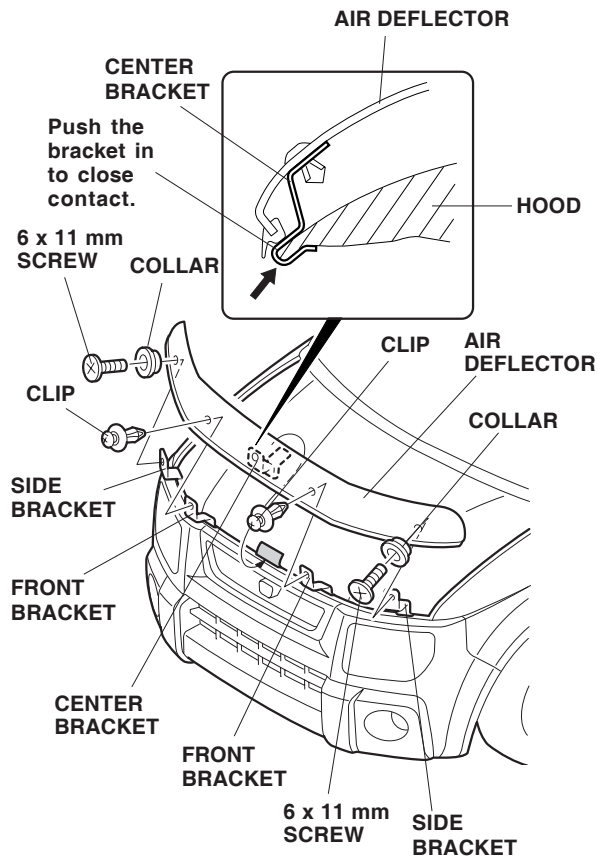
INSTALLATION

Customer Information: The information in this installation instruction is intended for use only by skilled technicians who have the proper tools, equipment, and training to correctly and safely add equipment to your vehicle. These procedures should not be attempted by "do-it-yourselfers."

NOTE:

- Be careful not to damage the body finish when you install the air deflector.
- This air deflector should be installed only when the ambient air temperature is 60°F (15°C) or above.

- Close the hood, and position the air deflector on the hood by sliding the center bracket over the protective tape, and aligning the holes in the air deflector over the four brackets. Install the two short, 6 x 11 mm screws with collars into the side bracket holes, and the two remaining clips into the front bracket holes.



- Open the hood. Push the center and side brackets against the hood and tighten the four screws installed in step 5

NOTE: After the air deflector is installed, tell your customer not to wash the vehicle for 24 hours to give the adhesive time to cure.