



INSTALLATION INSTRUCTIONS

Accessory
FRONT UNDER SPOILER

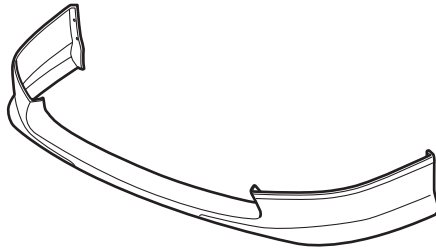
Application
**2006 CIVIC
4-DOOR**

Publications No.
All 30857

Issue Date
SEP 2005

PARTS LIST

Front under spoiler



4 Self-tapping screws



4 Flange bolts



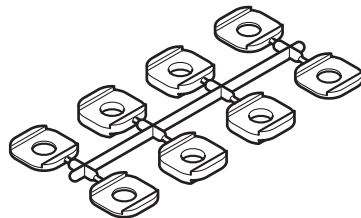
4 Flange nuts



4 Spring nuts



Spacer



TOOLS REQUIRED

Phillips screwdriver
Flat-tip screwdriver
Drill
3 mm and 10 mm Drill bits
Diagonal cutters
Clip remover
Pushpin
File
Blanket
Masking tape
Isopropyl alcohol
Shop towel
Eye protection

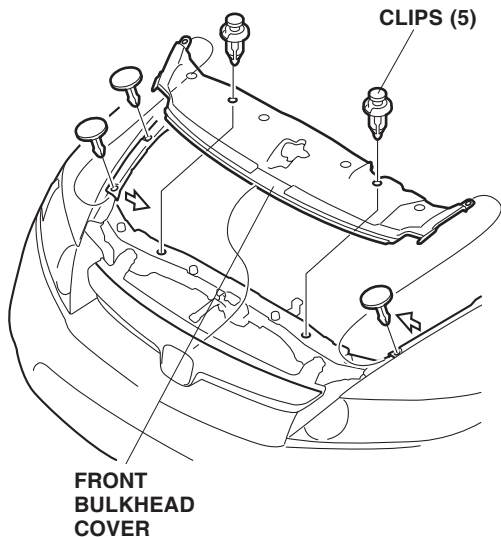
INSTALLATION

Customer Information: The information in this installation instruction is intended for use only by skilled technicians who have the proper tools, equipment, and training to correctly and safely add equipment to your vehicle. These procedures should not be attempted by “do-it-yourselfers.”

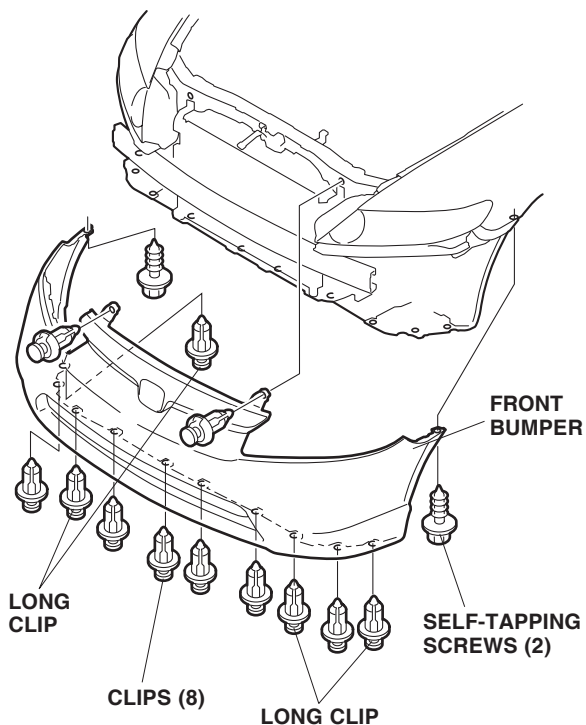
NOTE:

- Using isopropyl alcohol on a shop towel, thoroughly clean the area where the front under spoiler will be attached.
- Be careful not to damage the front bumper and body paint finish.
- This front under spoiler kit should be installed only if the ambient air temperature is 60°F (15°C) or above.
- To allow the adhesive to “cure,” do not wash the vehicle for 24 hours.

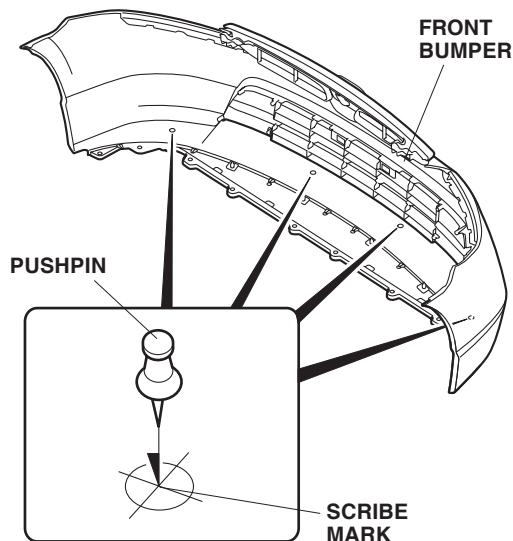
1. Open the hood. Remove the front bulkhead cover (five clips).



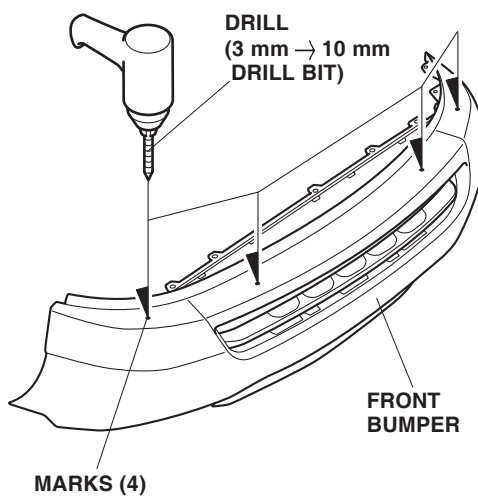
2. Remove the front bumper (four long clips, ten clips and two self-tapping screws), and pull the bumper out towards you. If equipped, unplug the fog light connectors. If equipped, unplug the front corner sensor connectors. Place the front bumper on a blanket to install the front under spoiler. Take care not to remove the clips securing the air spoiler.



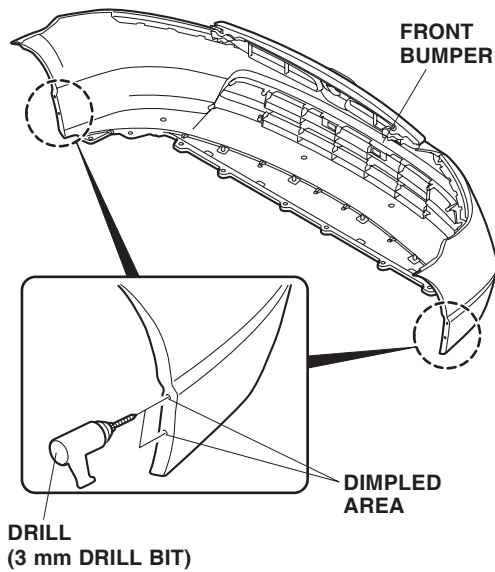
3. Inside the bumper, locate the scribe marks, and make a hole through each mark with a pushpin.



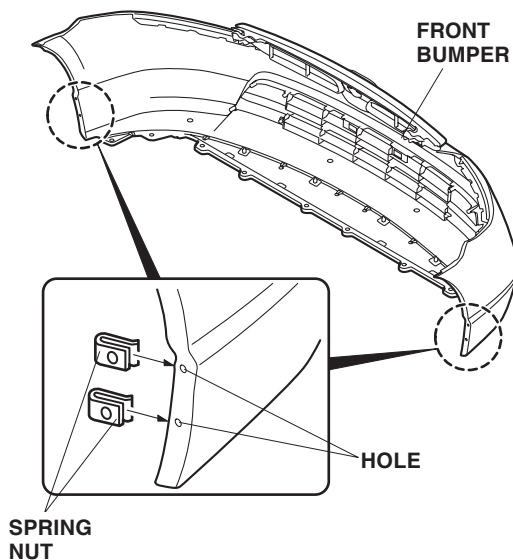
4. While wearing eye protection, drill a 10 mm hole through each marked location from the outside of the bumper. First drill with a 3 mm bit, then finish with a 10 mm bit. Remove any burrs from the edges of the holes with a file.



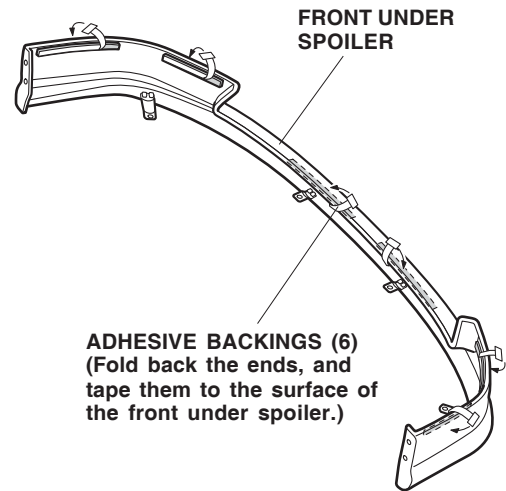
5. While wearing eye protection, drill a 3 mm hole through four dimpled areas of the front bumper on both sides. Remove any burrs from the edges of the holes with a file.



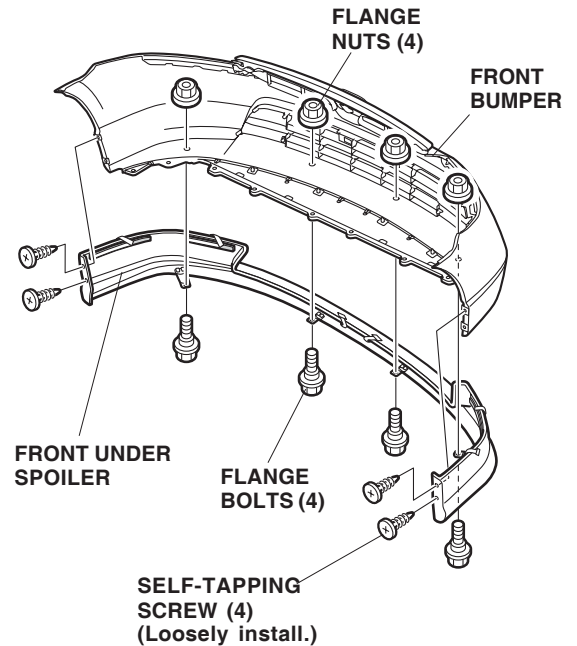
6. Slide spring nuts over the four holes you made in the front bumper.



7. Attach a strip of masking tape to the end of each adhesive backing, and peel back 1-1/2 to 2 inches of the adhesive backing. Fold the ends back, and tape them to the front of the front under spoiler.

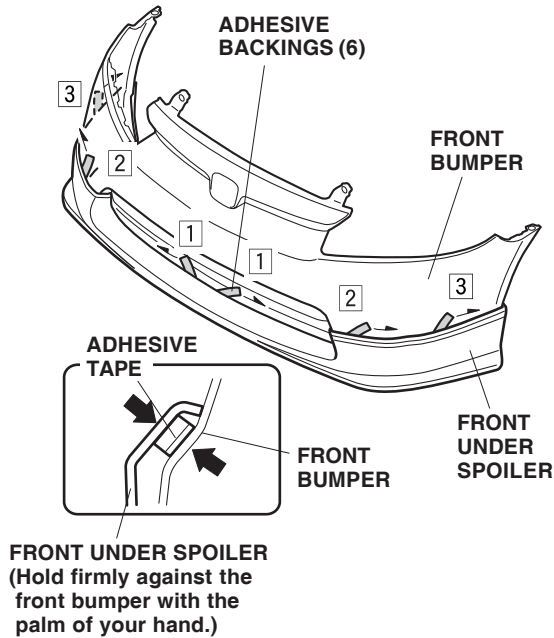


8. Using isopropyl alcohol on a shop towel, clean the front bumper where the front under spoiler will attach.



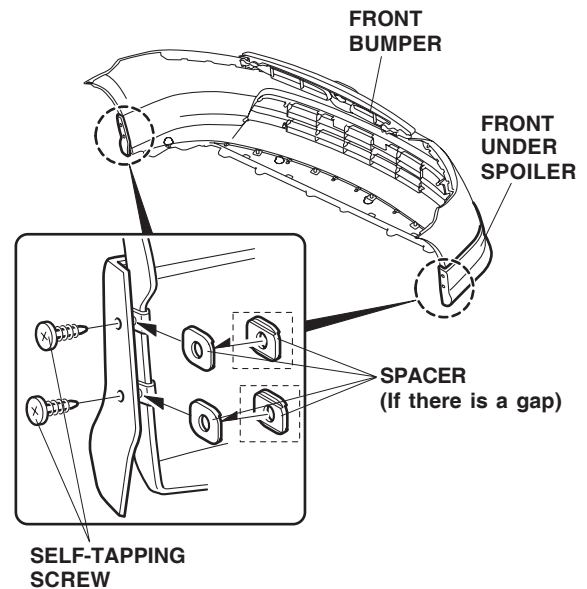
9. Position the front under spoiler on the front bumper, and install a flange nut to each flange bolt.
10. Loosely install the four self-tapping screws.

11. While applying pressure on the front under spoiler, carefully remove the adhesive backings in the sequence shown. After removing, hold the front under spoiler firmly against the front bumper with the palm of your hand for 30 seconds.



12. Tighten the self-tapping screws you installed in step 10. If there is a gap, use one (or two) spacer(s) between the front bumper and the front under spoiler to prevent excess gaps as shown.

- Using a diagonal cutters, cut the spacers apart.
- Spacer thickness of "1" and "2" represent 1 mm and 2 mm respectively.
- Do not use the spacers by combining the spacers of "2" together. This can prevent a balanced installation of the front under spoiler.



13. Reinstall the front bumper.
14. Reinstall all removed parts.