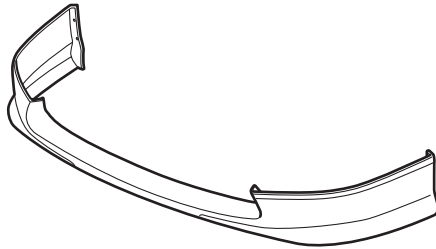
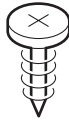


PARTS LIST

Front under spoiler



4 Self-tapping screws



4 Flange bolts



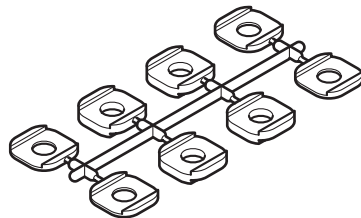
4 Flange nuts



4 Spring nuts



Spacer

**TOOLS REQUIRED**

Phillips screwdriver

Flat-tip screwdriver

Drill

3 mm and 10 mm Drill bits

Diagonal cutters

Clip remover

Pushpin

File

Blanket

Masking tape

Isopropyl alcohol

Shop towel

Eye protection

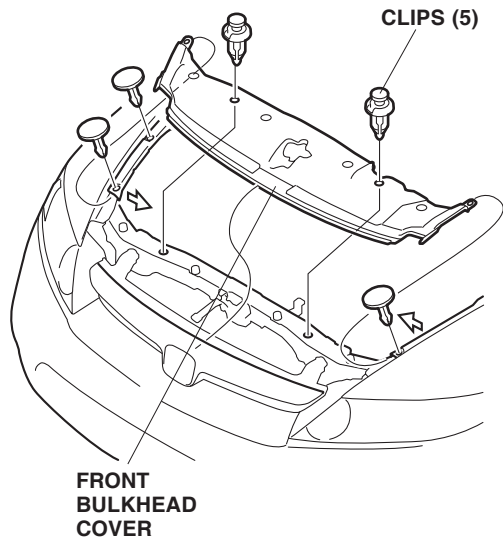
INSTALLATION

Customer Information: The information in this installation instruction is intended for use only by skilled technicians who have the proper tools, equipment, and training to correctly and safely add equipment to your vehicle. These procedures should not be attempted by "do-it-yourselfers."

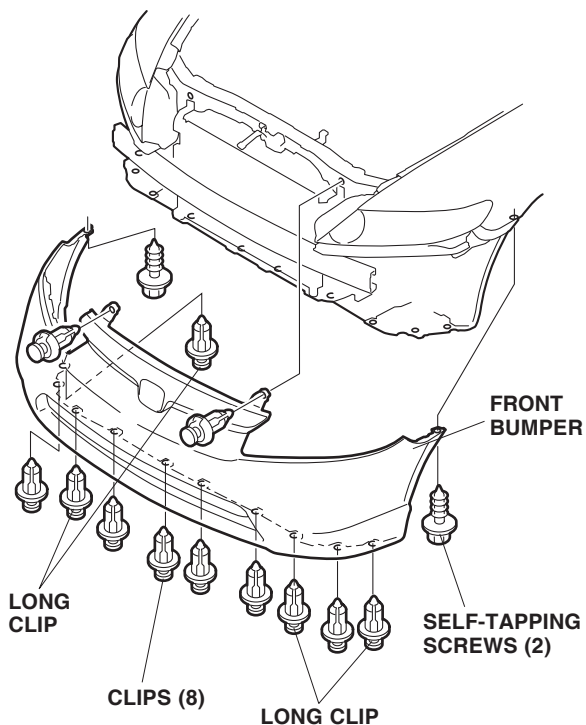
NOTE:

- Be careful not to damage the front bumper and body paint finish.
- This front under spoiler kit should be installed only if the ambient air temperature is 60°F (15°C) or above.
- To allow the adhesive to "cure," do not wash the vehicle for 24 hours.

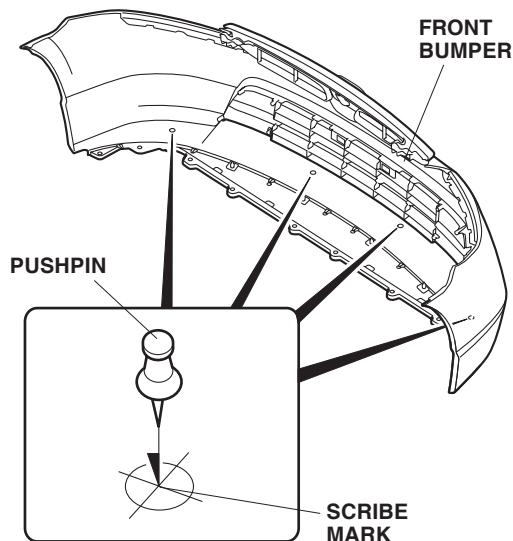
1. Open the hood. Remove the front bulkhead cover (five clips).



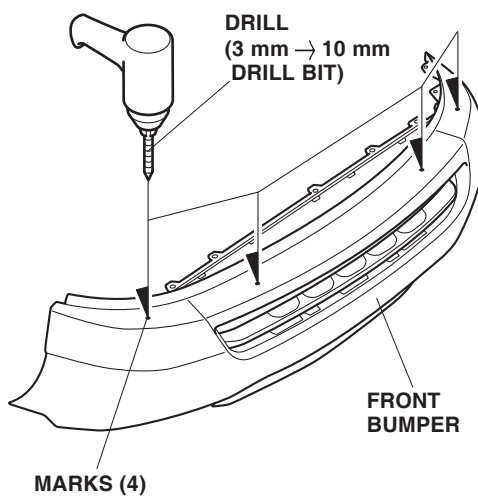
2. Remove the front bumper (four long clips, eight clips and two self-tapping screws), and pull the bumper out towards you. If equipped, unplug the fog light connectors. If equipped, unplug the front corner sensor connectors. Place the front bumper on a blanket to install the front under spoiler. Take care not to remove the clips securing the air spoiler.



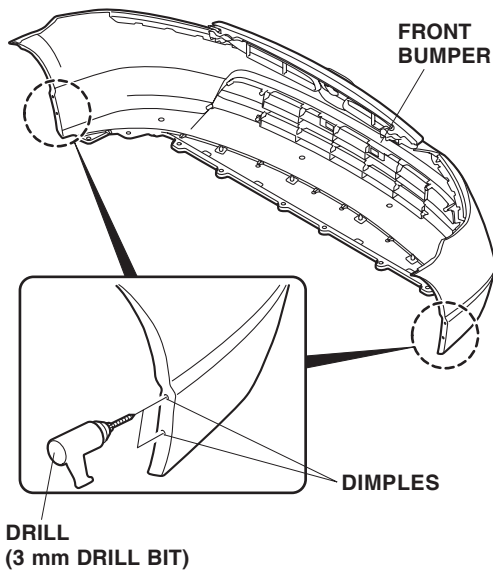
3. On the underside of the bumper, locate the scribe marks, and make a hole through each mark with a pushpin.



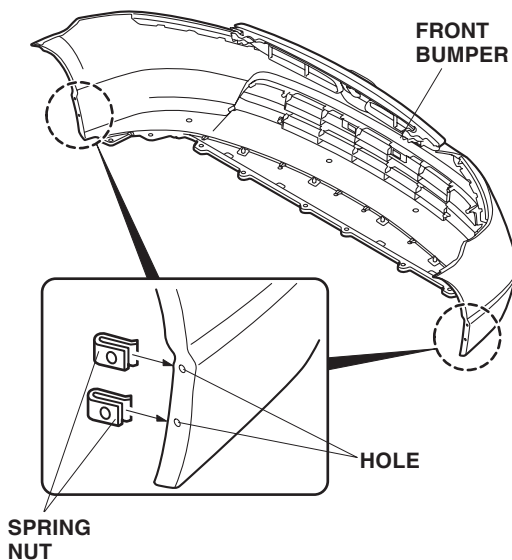
4. While wearing eye protection, drill a 10 mm hole through each marked location from the outside of the bumper. First drill with a 3 mm bit, then finish with a 10 mm bit. Remove any burrs from the edges of the holes with a file.



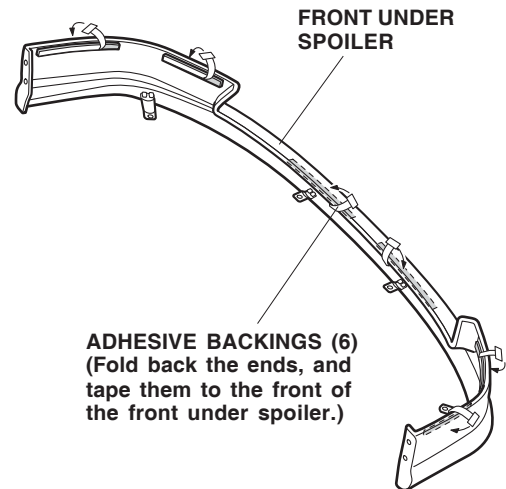
5. While wearing eye protection, drill a 3 mm hole through each of the four dimples on the ends of the front bumper. Remove any burrs from the edges of the holes with a file.



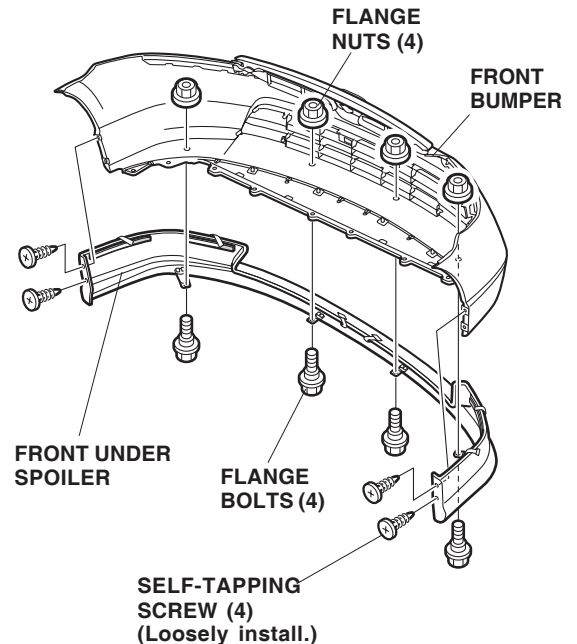
6. Slide spring nuts over the four holes you made in the front bumper.



7. Attach a strip of masking tape to the end of each adhesive backing, and peel back 1-1/2 to 2 inches of the adhesive backing. Fold the ends back, and tape them to the front of the front under spoiler.

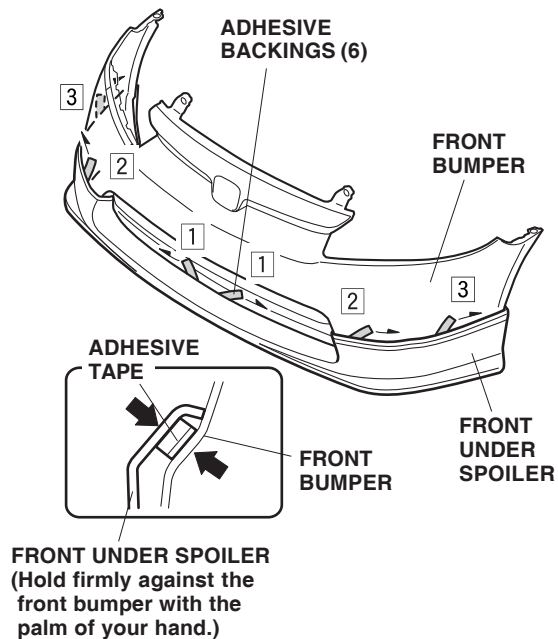


8. Using isopropyl alcohol on a shop towel, clean the front bumper where the front under spoiler will attach.



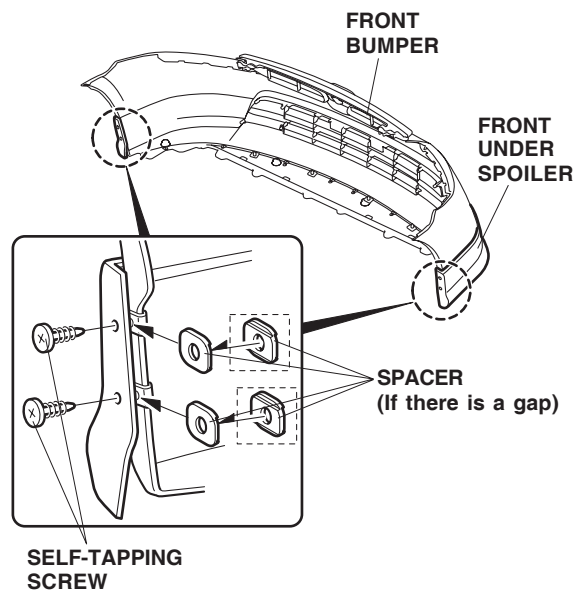
9. Position the front under spoiler on the front bumper, secure it with four flange bolts and four flange nuts.
10. Loosely install the four self-tapping screws.

11. While applying pressure to the front under spoiler, carefully remove the adhesive backings in the sequence shown. After removing, hold the front under spoiler firmly against the front bumper with the palm of your hand for 30 seconds.



12. Tighten the self-tapping screws you installed in step 10. If there is a gap, use one (or two) spacer(s) between the front bumper and the front under spoiler to prevent excess gaps as shown.

- Using diagonal cutters, cut the spacers apart.
- Spacer thickness of "1" and "2" represent 1 mm and 2 mm respectively.
- Do not combine two "2" spacers together. This creates too large a gap.



13. Reinstall the front bumper.
14. Reinstall all removed parts.