



INSTALLATION INSTRUCTIONS

Accessory

ROOF BOX
P/N: 08L20-TA1-100A

Application

2006 CR-V

Publications No.

All 31465

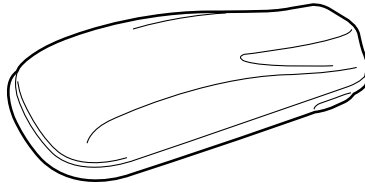
Issue Date

DEC 2005

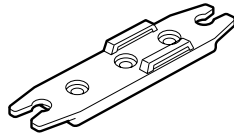
Keep this information in the glove box for future reference.

PARTS LIST

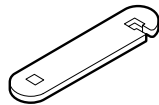
Roof box



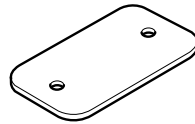
4 Brackets A



4 Brackets B



4 Plates



8 Knobs



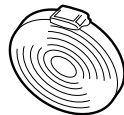
8 Bolts



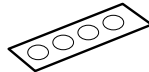
8 Washers



2 Straps



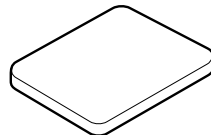
Seal



2 Keys



4 Large pads



4 Small pads



SUPPLIES REQUIRED

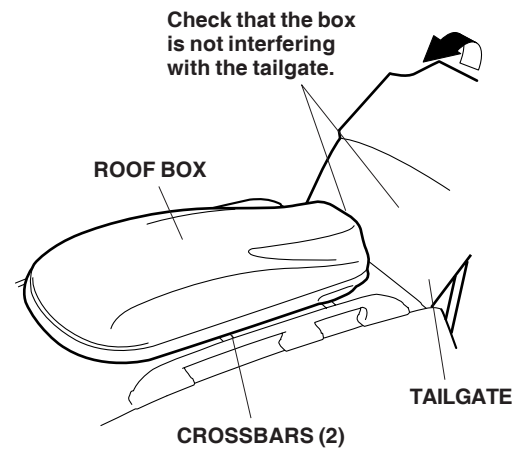
Isopropyl alcohol

Shop towel

INSTALLATION

NOTE:

- Be careful not to damage the roof and other finished surfaces of the body when installing the roof box.
 - The maximum load capacity for this product varies from model to model.
 - Do not allow the combined weight of the accessory and cargo to exceed the carrying capacity of the roof rack.
 - A Honda roof rack is required to install the roof box.
 - If equipped, the rear skylight cannot be removed with the roof box in place.
1. With the help of an assistant, carefully place the box on the crossbars. Open the tailgate to make sure that the box is not interfering with the tailgate.



- Open the roof box and align the holes in the plate with the mounting location where the crossbar exists. The plate is located at the front of the base of the roof box.
- Attach an adhesive seal over each of the four unused mounting holes (two on each side) at the rear of the base of the box.

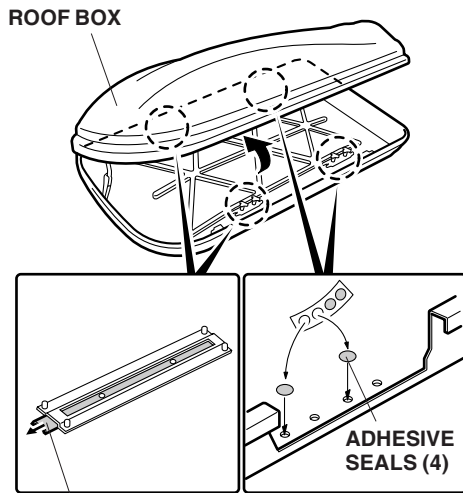
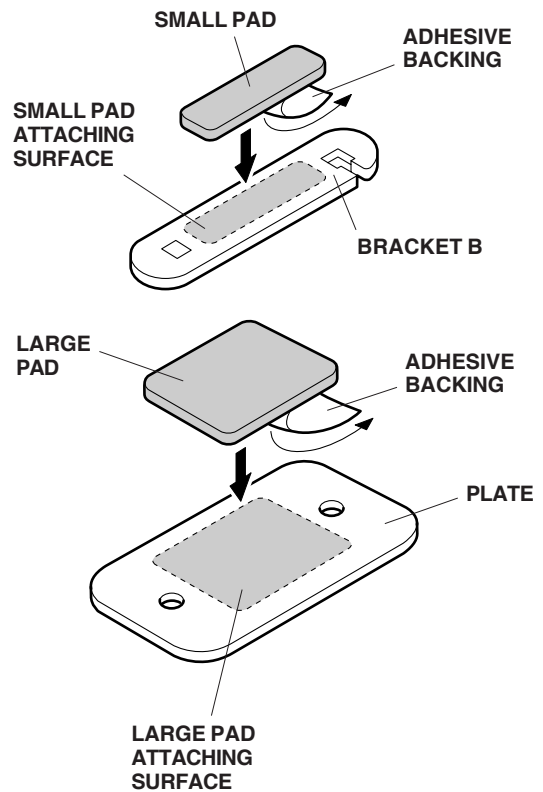


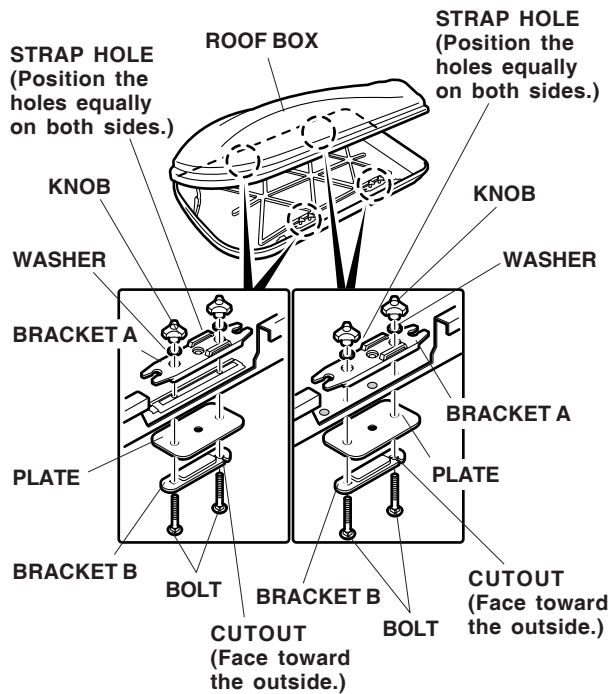
PLATE
 (Align the holes in the plate with the mounting location by sliding the plate as required.)

- Using isopropyl alcohol on a shop towel, clean the four brackets B where the small pads will attach. Remove the adhesive backings from the small pads and attach them to the brackets B.



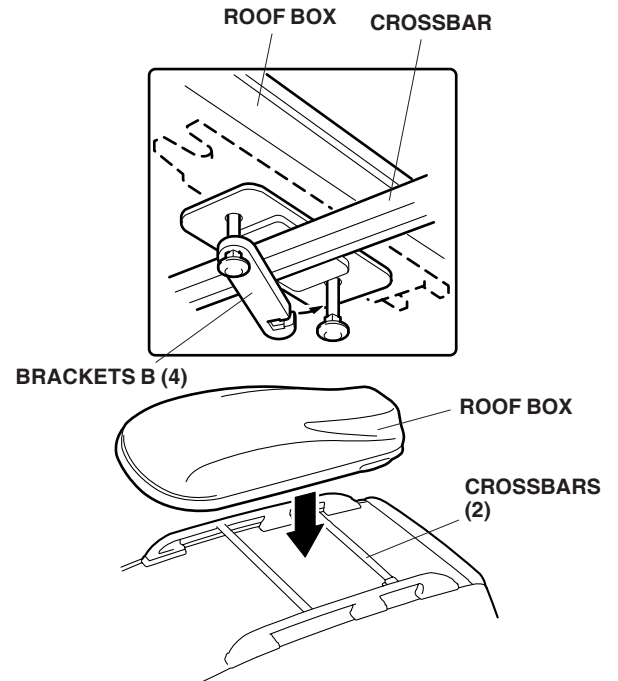
- Using isopropyl alcohol on a shop towel, clean the four plates where the large pads will attach. Remove the adhesive backings from the large pads and attach them to the plates.

- Under the roof box, insert a bolt through bracket B, through the plate and into the predrilled hole in the bottom of the roof box.



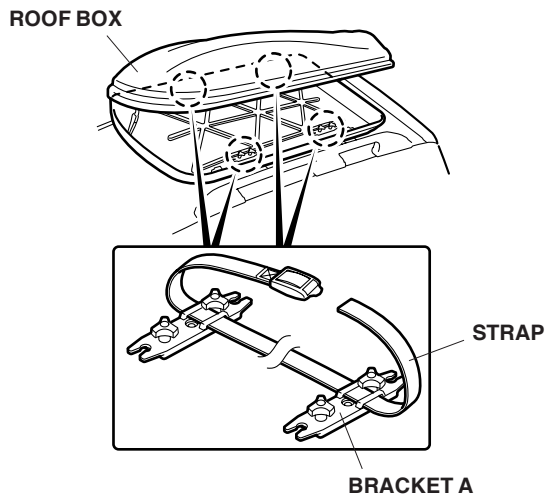
- Fit bracket A over the threads of the bolt where it protrudes through the roof box. Install a washer over the threads, and loosely install a knob. Install a second bolt the same way.
 - Adjust bracket A so that the right and left strap holes are positioned equally on both sides.
 - Install bracket B with the cutout facing the outside.

- With the help of an assistant, carefully place the box on the crossbars. Be aware of the hardware hanging from the bottom of the box.



- Arrange the plate to fit between the box and the crossbar. Swing the slotted end of bracket B around the bolt, and tighten the knobs. Fasten the box this way at all four mounting points.
 - If necessary, adjust the distance between the crossbars to match the pattern of the predrilled holes in the roof box. The bar spread required is 800 mm (31 in.) for all racks.
 - The roof box should be centered on the crossbars and parallel to the direction of travel with its flat facing the front.

10. Insert the straps through the eyelets on bracket A, and attach the straps together.

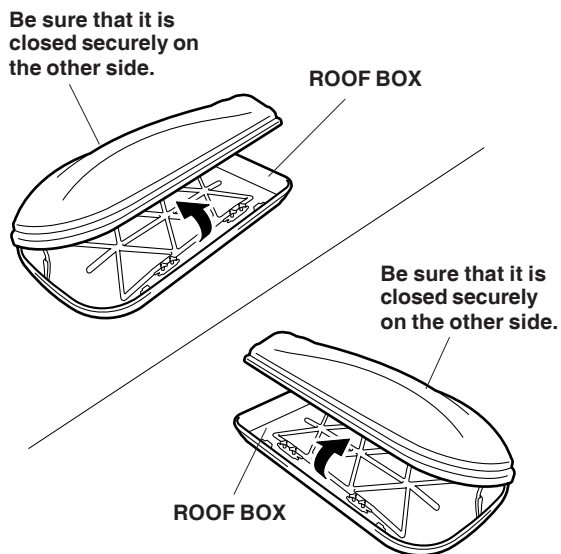


USE AND CARE

- This roof box is the dual opening type which can be opened from the either side.

NOTE:

- The box can only be opened one side at a time.
- Before opening the roof box on one side, be sure that it is closed securely on the other side.

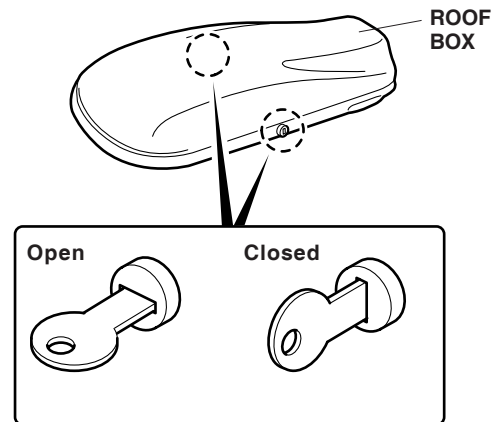


Unlocking/Locking the Roof Box

NOTE:

- The key is attached to the inside of the roof box.
- The locks work the same way from either side of the box.

Unlocking: Insert the key into the lock and turn it counterclockwise to unlock. Press the center button lifting the lid of the roof box.



Locking: Press down on the lid. There should be an audible click. Be sure the lid is latched by attempting to lift the lid. Turn the key clockwise to lock the roof box. Be sure the straps are not outside of the roof box.

LOADING THE ROOF BOX

To minimize imbalance, load weight equally on both sides. Do not overload the roof box; the maximum allowable load is 110 lb (50 kg).

Loads must be secured with the straps to prevent them from sliding. Check the fasteners at regular intervals.