



INSTALLATION INSTRUCTIONS

Accessory

**FENDER FLARE
P/N 08P21-S9A-120A**

Application

2006 CR-V

Publications No.

All 30548

Issue Date

SEP 2005

PARTS LIST

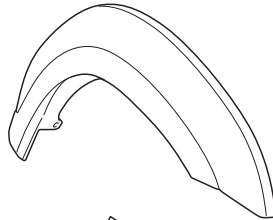
Right front bumper flare



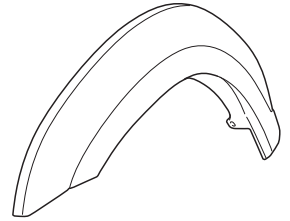
Left front bumper flare



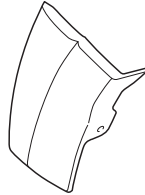
Right front fender flare



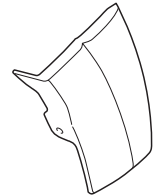
Left front fender flare



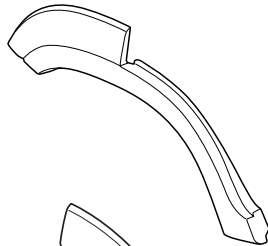
Right rear bumper flare



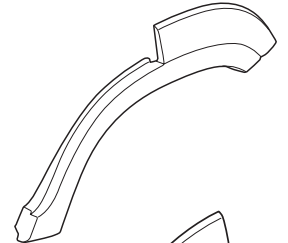
Left rear bumper flare



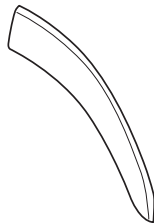
Right rear fender flare



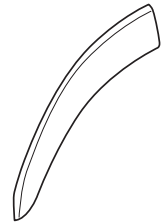
Left rear fender flare



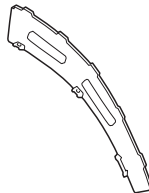
Right rear door flare



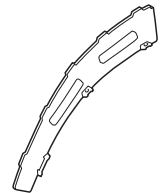
Left rear door flare



Right rear door plate



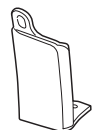
Left rear door plate



Right front wheel fenderwell cover



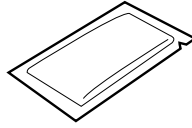
Left front wheel fenderwell cover



2 Clips



12 Alcohol pads



4 Rectangle spring nuts



4 Self-tapping screws, 5 x 20 mm



4 Square spring nuts



4 Self-tapping screws, 4 x 12 mm



TOOLS AND SUPPLIES REQUIRED

Stubby Phillips screwdriver

90° Phillips screwdriver

Phillips screwdriver

Flat-tip screwdriver

Torx bit (T30)

Isopropyl alcohol

Shop towel

Masking tape

10 mm Combination wrench

INSTALLATION

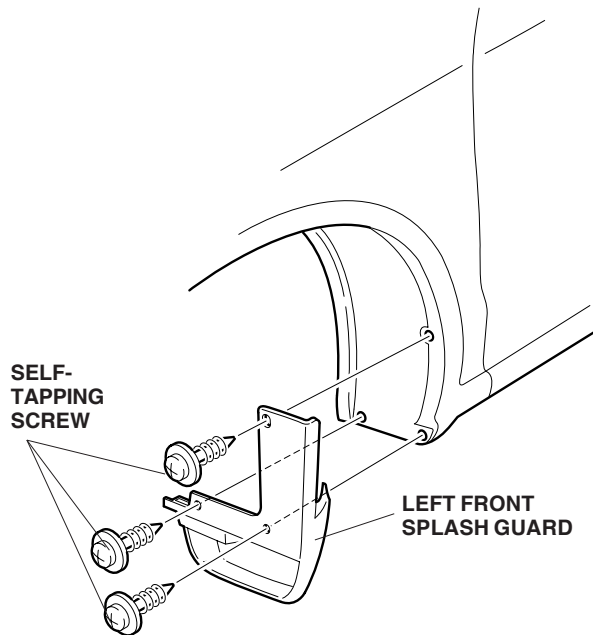
Customer Information: The information in this installation instruction is intended for use only by skilled technicians who have the proper tools, equipment, and training to correctly and safely add equipment to your vehicle. These procedures should not be attempted by “do-it-yourselfers.”

NOTE:

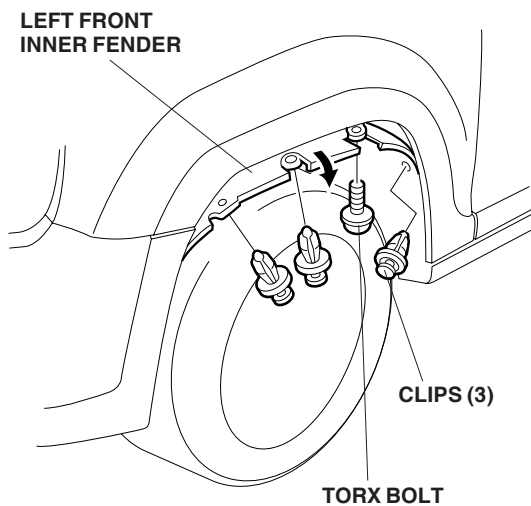
- This fender flare kit cannot be installed on a vehicle equipped with a full nose mask.
- Be careful not to damage the finished surfaces of the body when installing the fender flares.
- This fender flare kit should be installed only when the ambient air temperature is 60°F (15°C) or above.
- To allow the adhesive to “cure”, do not wash the vehicle for 24 hours.
- These instructions show the left fender flares being installed; the same procedure applies to installing the right fender flares.

Installing the Front Fender Flare

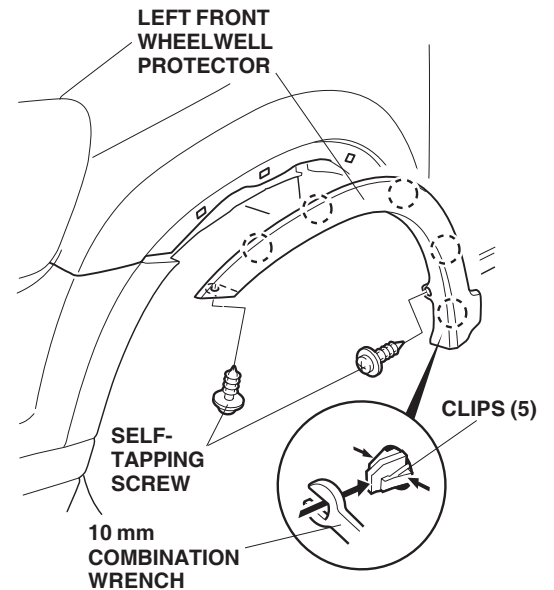
1. If equipped, remove the three self-tapping screws then remove the left front splash guard.



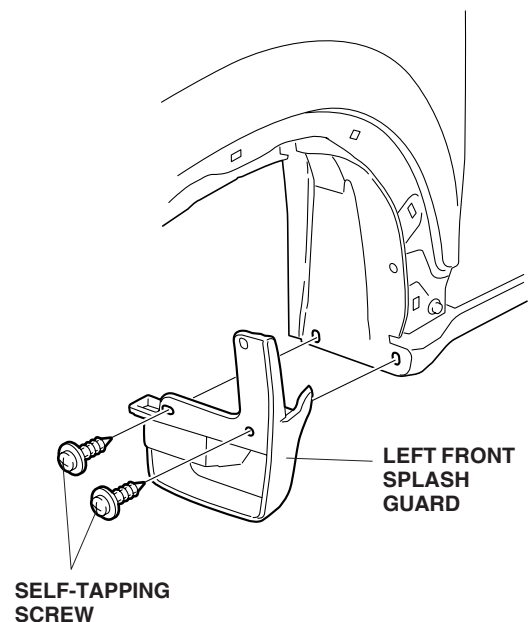
2. Remove the left front inner fender (one bolt, three clips, and pull the inner fender out in the direction shown). Take care not to damage the clips.



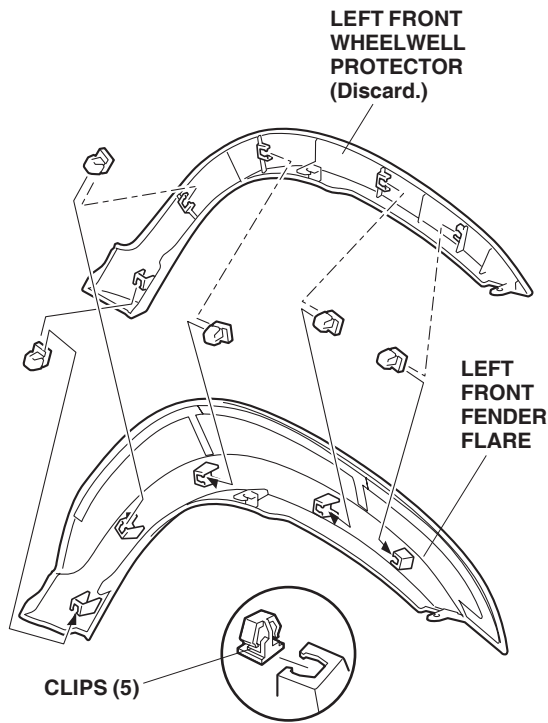
3. Remove the two self-tapping screws that fasten the left front wheelwell protector. Remove the five clips by squeezing the clip, and pulling the protector out toward you, then remove the wheelwell protector. Take care not to damage the clips.



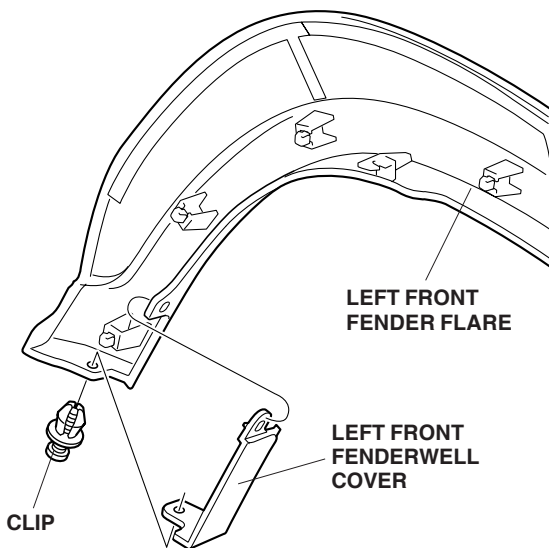
4. Reinstall the three clips removed in step 2 in their original locations.
5. If equipped, reinstall the left front splash guard using two of the three self-tapping screws.



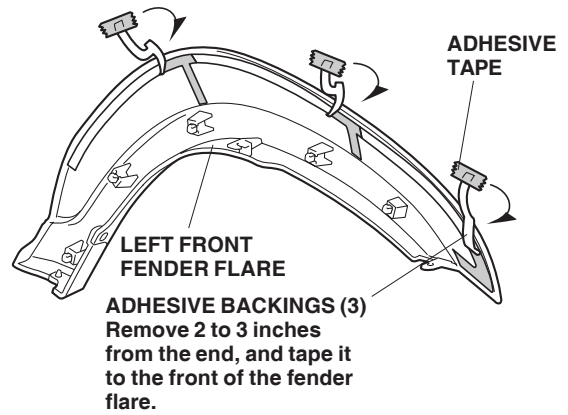
- Remove the five clips from the left front wheelwell protector, and transfer the clips to the left front fender flare.



- If equipped without a front splash guard, install the left front fenderwell cover to the left front fender flare using one clip from the kit.

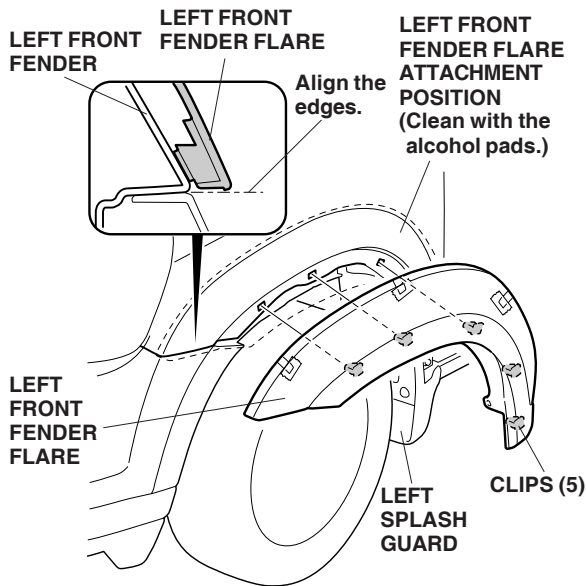


- Using an alcohol pad clean the front bumper where the front fender flare will attach.
- On the inside of the left front fender flare, remove 2 to 3 inches from each adhesive backing. Fold the ends back, and tape them to the front of the fender flare.

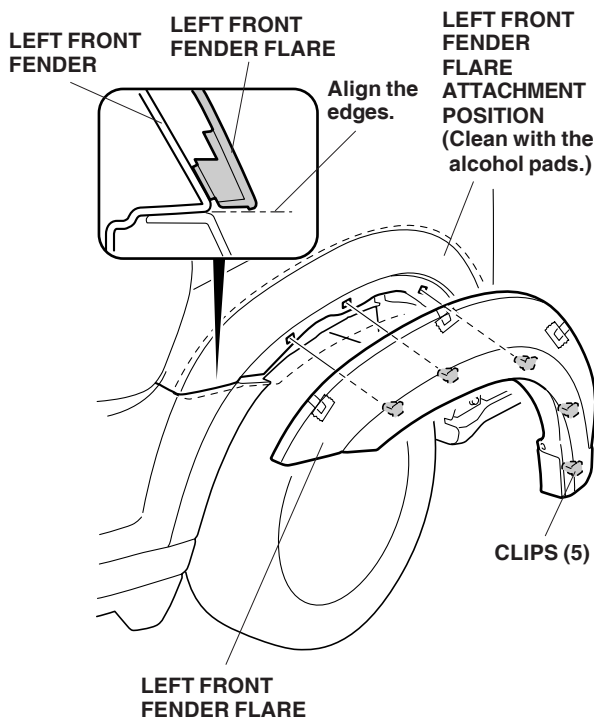


10. Position the left front fender flare against the vehicle and engage the five clips into the holes of the body panel. Confirm that the end of the left front fender flare is aligned with the end of the left front fender.

With Splash Guards:



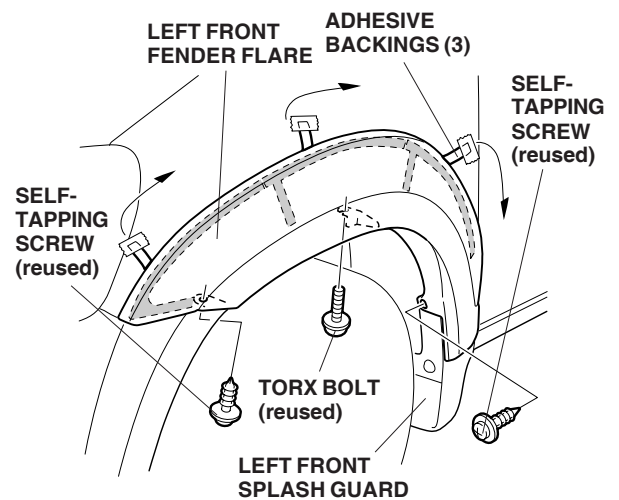
Without Splash Guards:



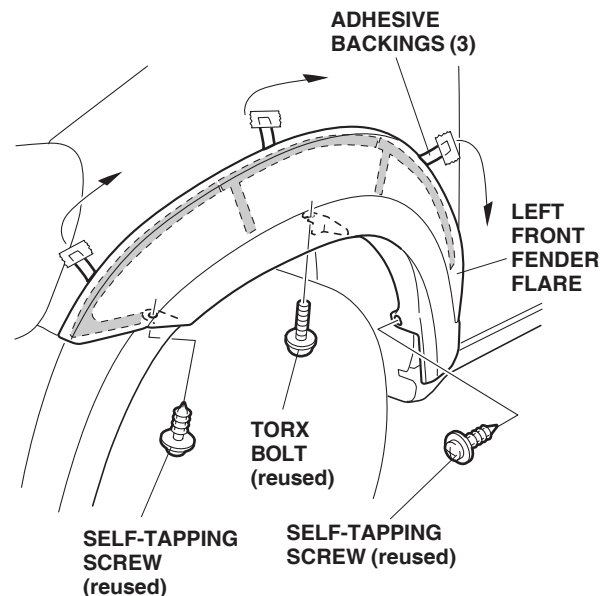
11. Secure the left front fender flare:

- Reinstall the Torx bolt, and the two self-tapping screws. If equipped, make sure the self-tapping screw is through the splash guard.
- Start with the front adhesive backing.
- Slowly and carefully peel the adhesive backing from the fender flare.
- After removing the adhesive backing, press the fender flare firmly against the fender with the palm of your hand for 30 seconds particularly at the edges.

With Splash Guards:

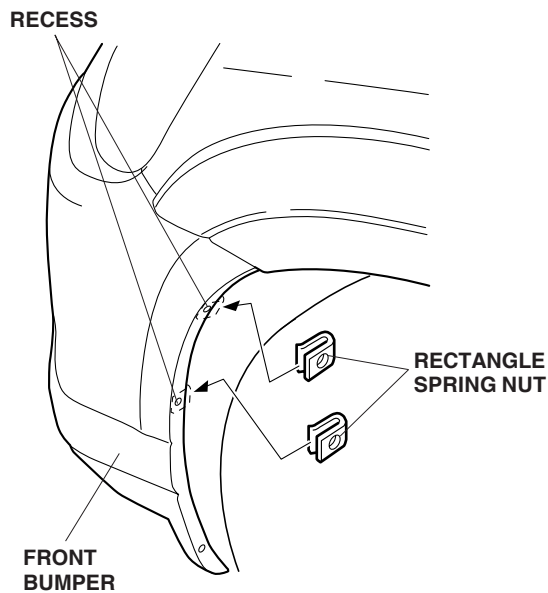


Without Splash Guards:

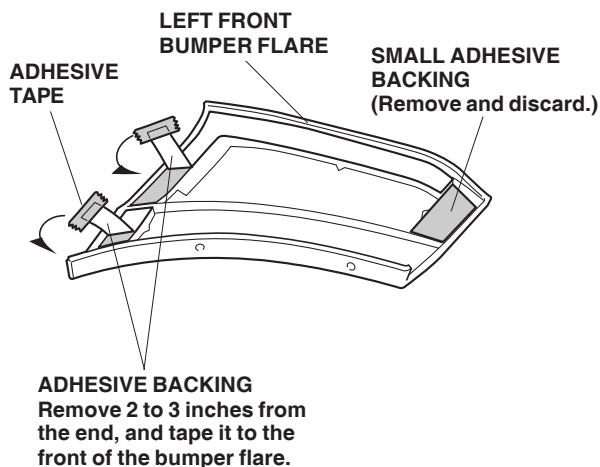


Installing the Front Bumper Flare

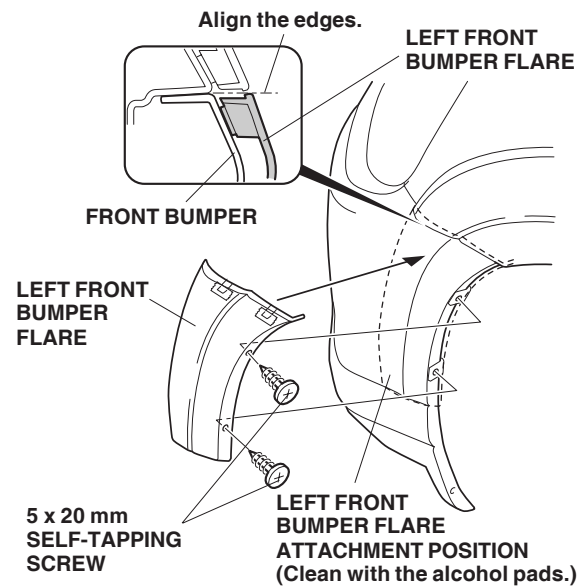
12. Get two rectangle spring nuts from the kit. Install one spring nut into each recess at the edge of the front bumper.



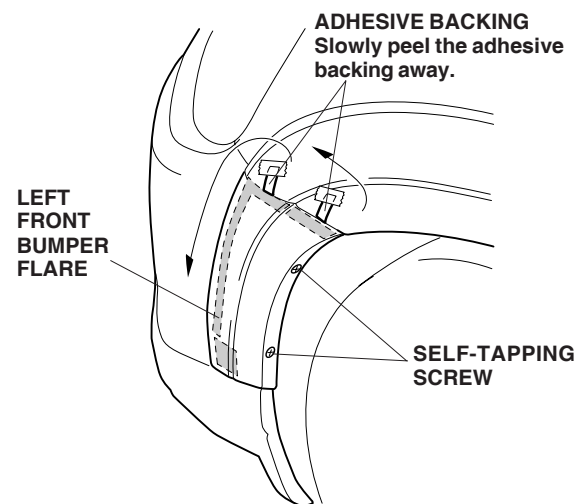
13. Using an alcohol pad clean the front bumper where the front bumper flare will attach.
14. On the inside of the left front bumper flare, remove 2 to 3 inches from each adhesive backing. Fold the ends back, and tape them to the front of the bumper flare. Remove and discard the small adhesive backing.



15. Position the left front bumper flare on the front bumper and install the two 5 x 20 mm self-tapping screws (from the kit) through the front bumper. Do not tighten the self-tapping screws yet.



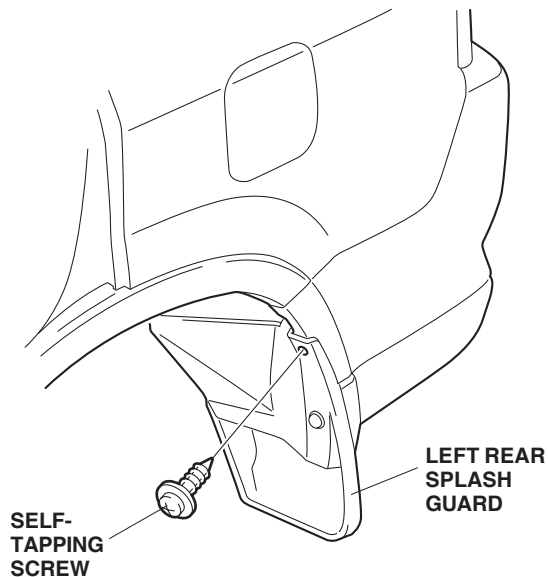
16. Remove the adhesive backings from the left front bumper fender flare:
- Slowly and carefully peel the adhesive backing from the left front bumper flare.
 - After removing all of the adhesive backings, press the left front bumper flare firmly against the front bumper with the palm of your hand for 30 seconds particularly at the edges.



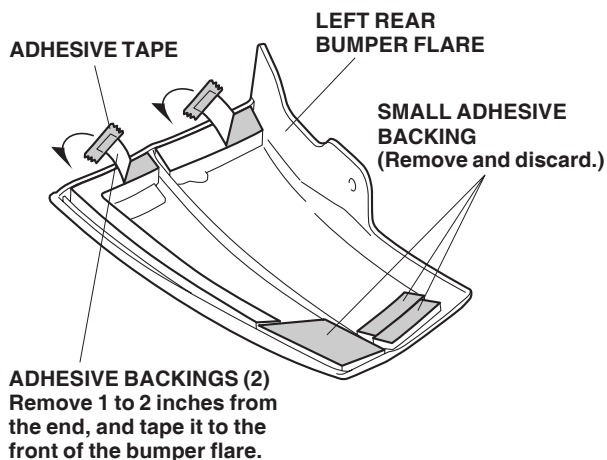
17. Tighten the two self-tapping screws.
18. Repeat steps 1 thru 17 to install the right front fender and bumper flare.

Installing the Rear Bumper Flare

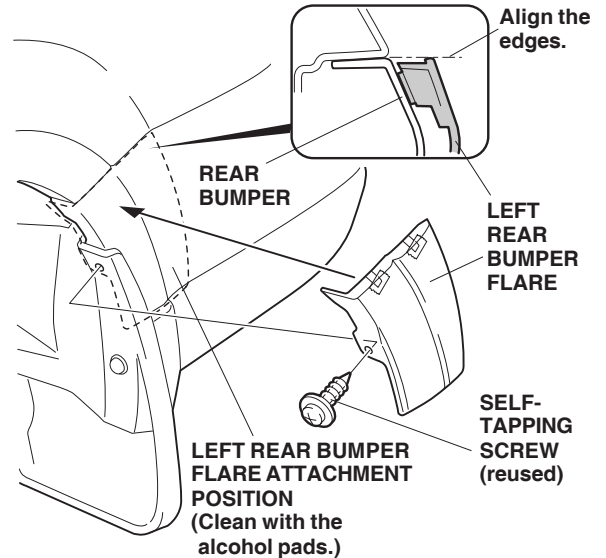
19. Remove one self-tapping screw from the left rear splash guard.



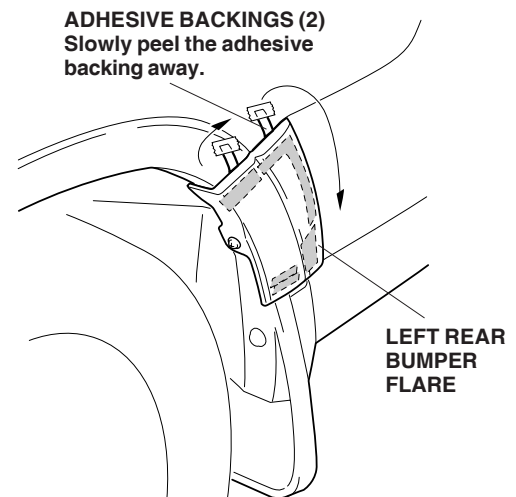
20. Using an alcohol pad clean the rear bumper where the rear bumper flare will attach.
21. On the inside of the left rear bumper flare, remove 1 to 2 inches from each adhesive backing. Fold the ends back, and tape them to the front of the bumper flare. Remove and discard the three small adhesive backings.



22. Position the edge of the left rear bumper flare with the upper edge of the rear bumper and place the flare onto the rear bumper. Install the left rear bumper flare with the self-tapping screw removed in step 19. Do not tighten the self-tapping screw yet.



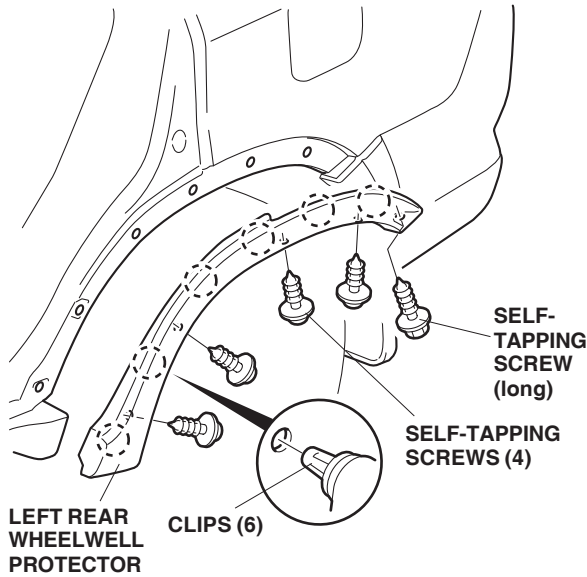
23. Remove the adhesive backings from the rear bumper flare:
 - Slowly and carefully peel the adhesive backing from the rear bumper flare.
 - After removing all of the adhesive backings, press the rear bumper flare firmly against the bumper with the palm of your hand for 30 seconds particularly at the edges.



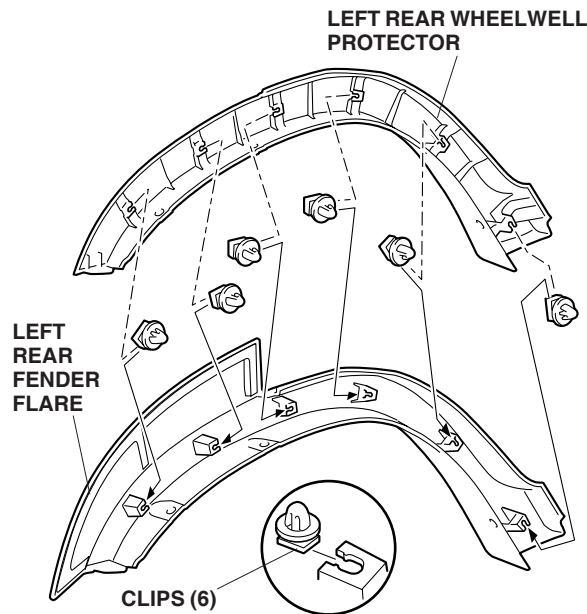
24. Tighten the self-tapping screw.

Installing the Rear Fender Flare

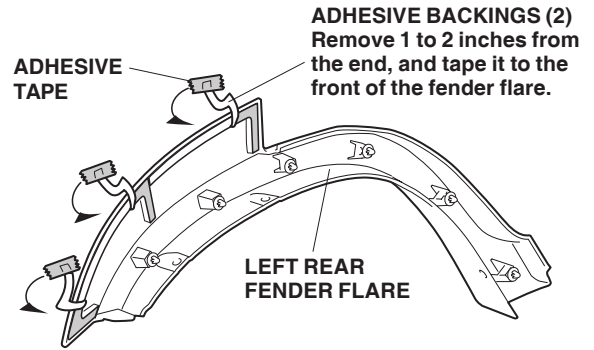
25. Open the rear door. Remove the four self-tapping screws and one long self-tapping screw that fasten the left rear wheelwell protector. Pull the wheelwell protector toward you, to release the six clips, then remove the wheelwell protector. Take care not to damage the clips.



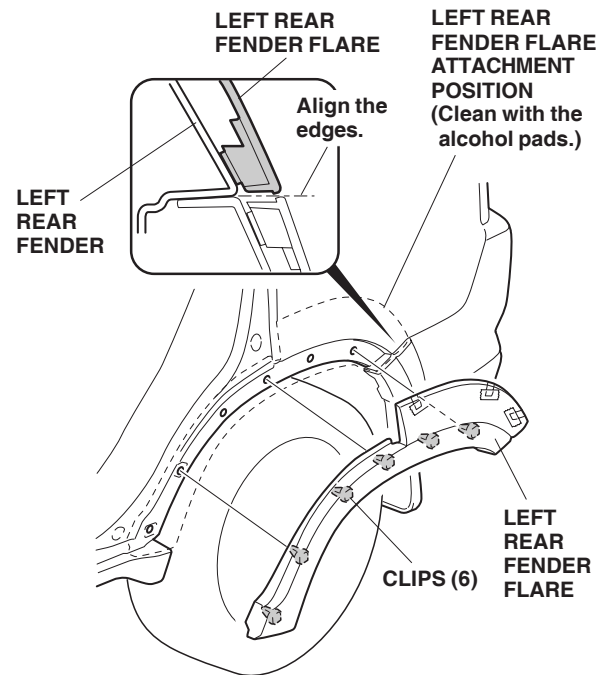
26. Remove the six clips from the left rear wheelwell protector, and transfer the clips to the left rear fender flare.



27. Using an alcohol pad clean the rear fender where the rear fender flare will attach.
28. On the inside of the left rear fender flare, remove 1 to 2 inches from each adhesive backing. Fold the ends back, and tape them to the front of the fender flare.

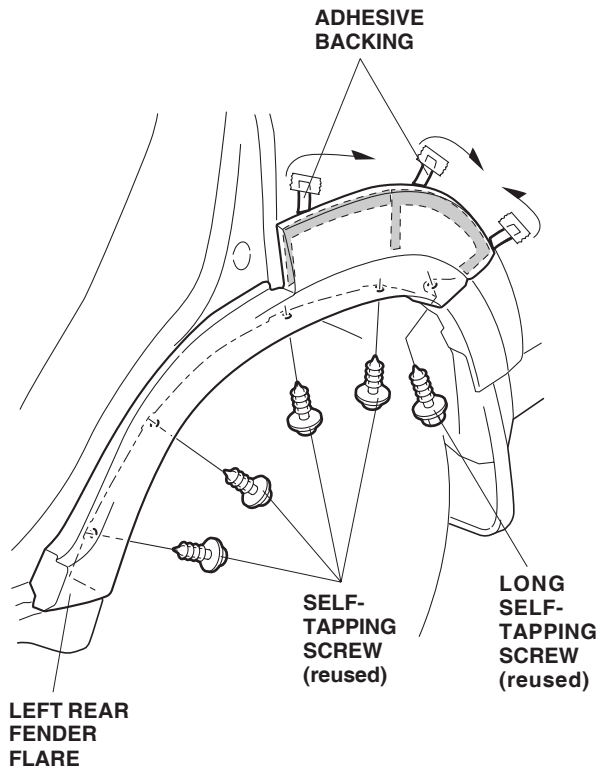


29. Position the left rear fender flare against the vehicle and secure the six clips into the holes of the body panel. Confirm that the edge of the left rear fender flare is aligned with the edge of the left rear fender.



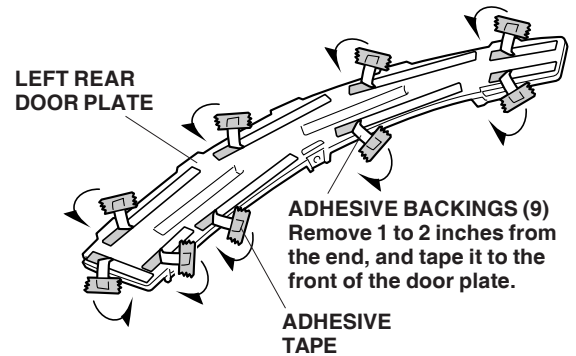
30. Install the rear fender flare:

- Secure the left rear fender flare with four self-tapping screws and one long self-tapping screw removed in step 25.
- Slowly and carefully peel the adhesive backing from the rear fender flare.
- After removing all of the adhesive backings, press the rear fender flare firmly against the fender with the palm of your hand for 30 seconds particularly at the edges.

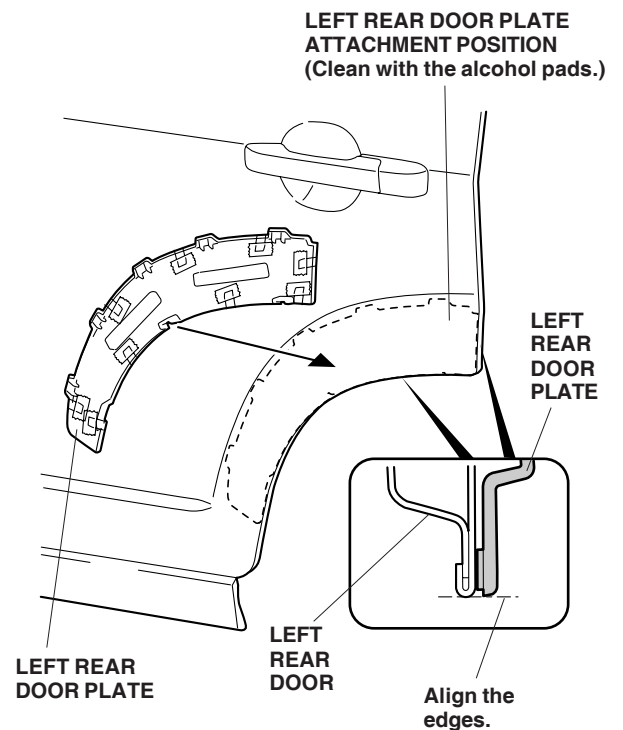


Installing the Rear Door Flare

31. Using an alcohol pad clean the door where the rear door plate will attach.
32. On the inside of the left rear door plate, remove 1 to 2 inches from each adhesive backing. Fold the ends back, and tape them to the front of the door plate.

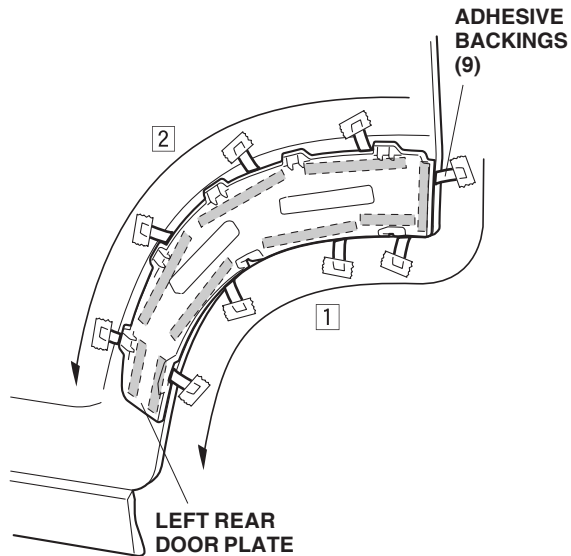


33. Align the edge of the left rear door plate with the edge of the left rear door.



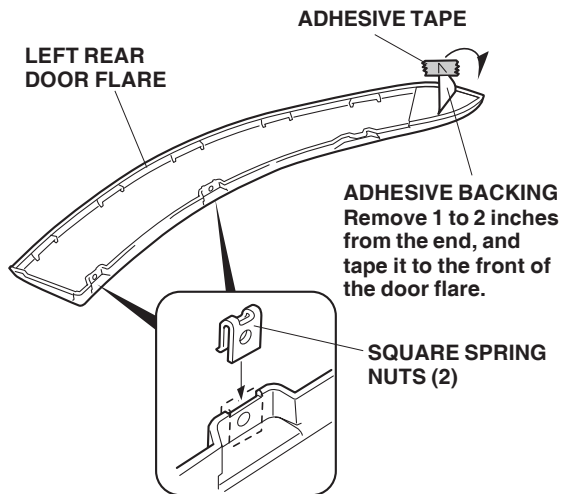
34. Remove the adhesive backings:

- Slowly and carefully peel the adhesive backing from the rear door plate in the order shown.
- After removing the all of adhesive backings, press the rear door plate firmly against the rear door with the palm of your hand for 30 seconds particularly at the edges.



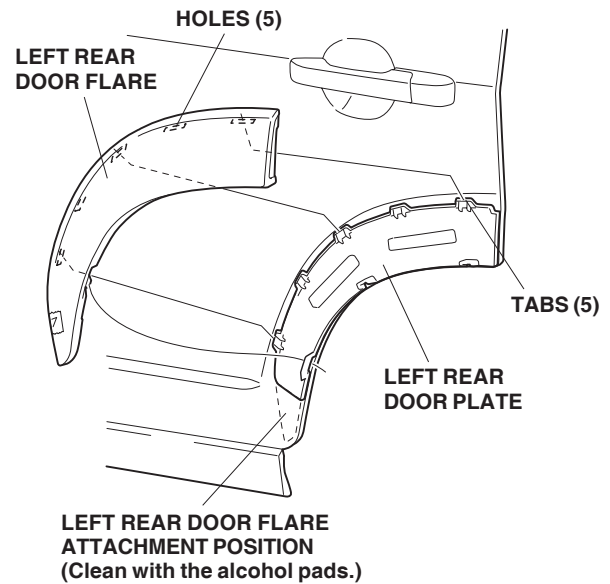
35. Using an alcohol pad clean the door where the rear door flare will attach.

36. Install two square spring nuts to the left rear door flare.



37. On the inside of the left rear door flare, remove 1 to 2 inches from the adhesive backing. Fold the end back, and tape it to the front of the door flare.

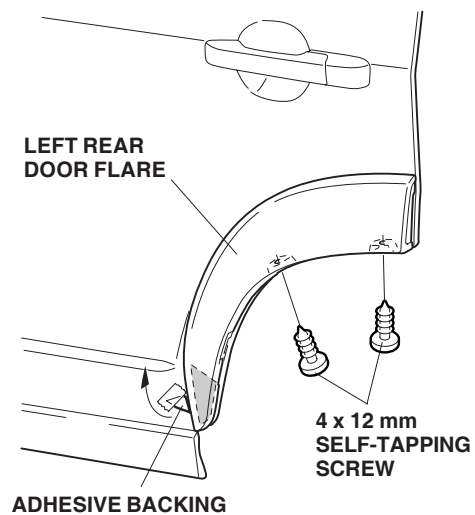
38. Insert the five tabs on the left rear door plate into the holes in the left rear door flare.



39. Secure the left rear door flare with two 4 x 12 mm self-tapping screws provided.

40. Remove the adhesive backing from the rear door flare:

- Slowly and carefully peel the adhesive backing from the rear door flare.
- After removing the adhesive backing, press the rear door flare firmly against the rear door with the palm of your hand for 30 seconds particularly at the edges.



41. Repeat steps 19 thru 40 to install the right rear fender and bumper flare.