



INSTALLATION INSTRUCTIONS

Accessory
REAR UNDER SPOILER

Application
**2006 ACCORD
2-DOOR**

Publications No.
All 30239-31700

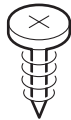
Issue Date
JAN 2006

PARTS LIST

Rear under spoiler



2 Self-tapping screws



2 Spring nuts



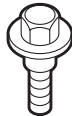
2 Short flange bolts



6 Clip nuts



2 Long flange bolts



4 Recessed bolts



2 Flange nuts



TOOLS AND SUPPLIES REQUIRED

Phillips screwdriver
Flat-tip screwdriver
Ratchet
10 mm Socket
Utility knife
Isopropyl alcohol
Blanket
Masking tape
Shop towel

INSTALLATION

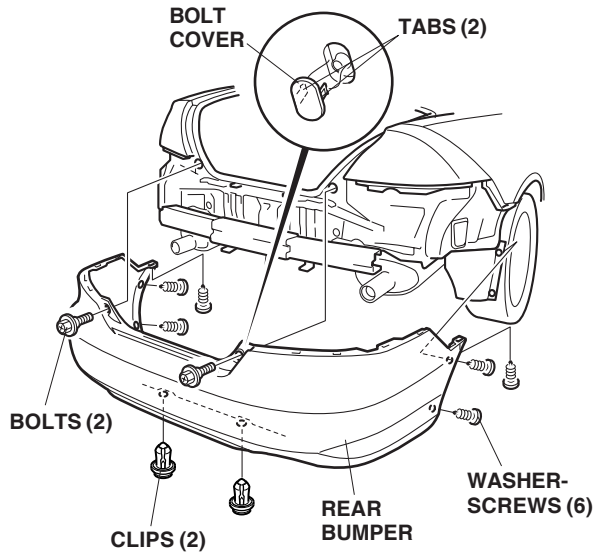
Customer Information: The information in this installation instruction is intended for use only by skilled technicians who have the proper tools, equipment, and training to correctly and safely add equipment to your vehicle. These procedures should not be attempted by “do-it-yourselfers.”

NOTE:

- Using isopropyl alcohol on a shop towel, thoroughly clean the area where the rear under spoiler will be attached. Allow the isopropyl alcohol to dry thoroughly before attaching the rear under spoiler.
- Be careful not to damage the rear bumper and body paint finish.
- This rear under spoiler kit should be installed only if the ambient air temperature is 60°F (15°C) or above.
- To allow the adhesive to “cure,” do not wash the vehicle for 24 hours.

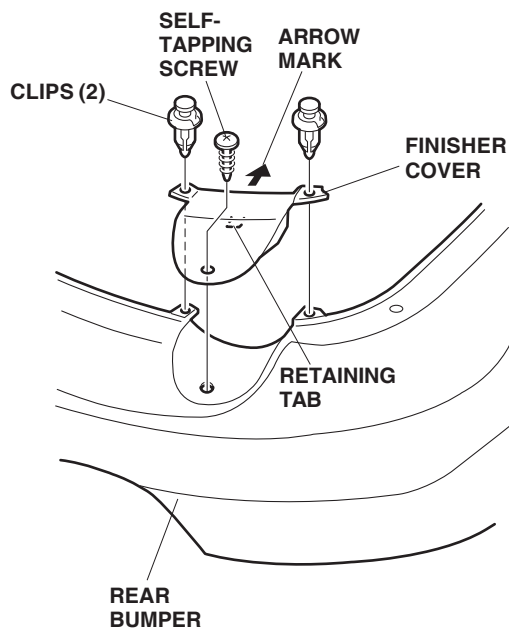
Installing the Rear Under Spoiler

1. Remove the two bolt covers (two tabs). Remove the rear bumper (two bolts, two clips, and six washer-screws), and pull the bumper out towards you. Retain all parts to reuse later. If equipped, unplug the backup sensor connectors. Place the rear bumper on a blanket to install the rear under spoiler.

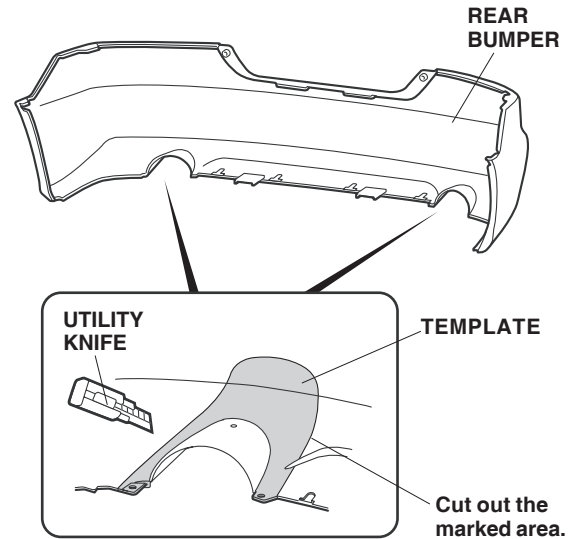


If the car is equipped with a finisher cover, continue with step 2. If not, go to step 3.

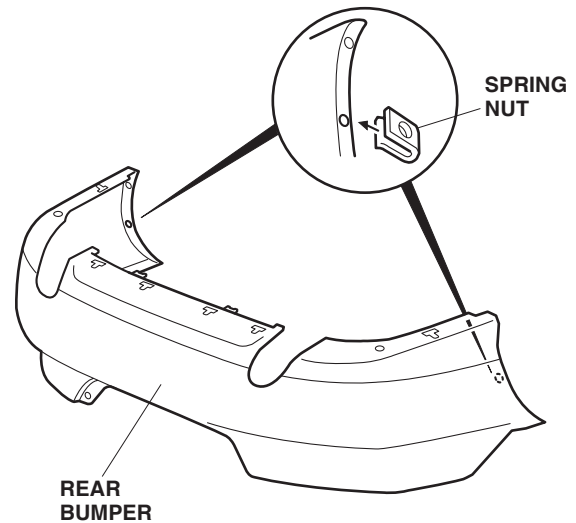
2. Remove the one self-tapping screw and two clips. Pull out the finisher cover toward the arrow mark, then remove the finisher cover by releasing the retaining tab.



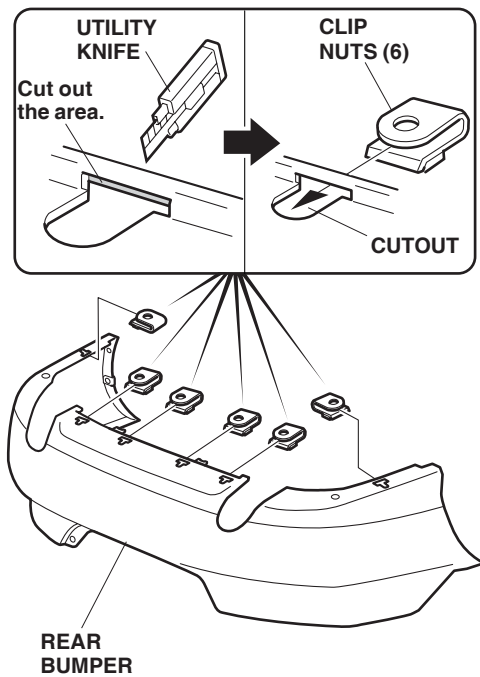
3. Position the template (cut out from page 6) on the inside of the rear bumper. Mark the outside of the template and cut out the marked area. Reverse the template for the right side.



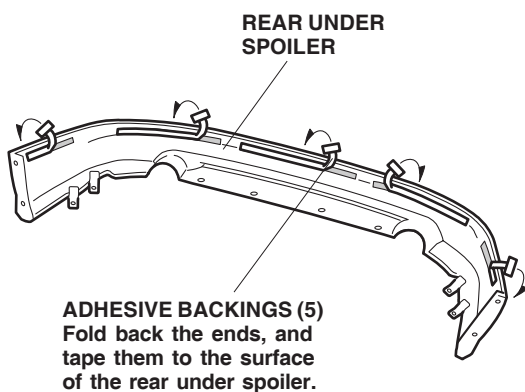
4. Slide the two spring nuts (one on each side) over the hole of the rear bumper.



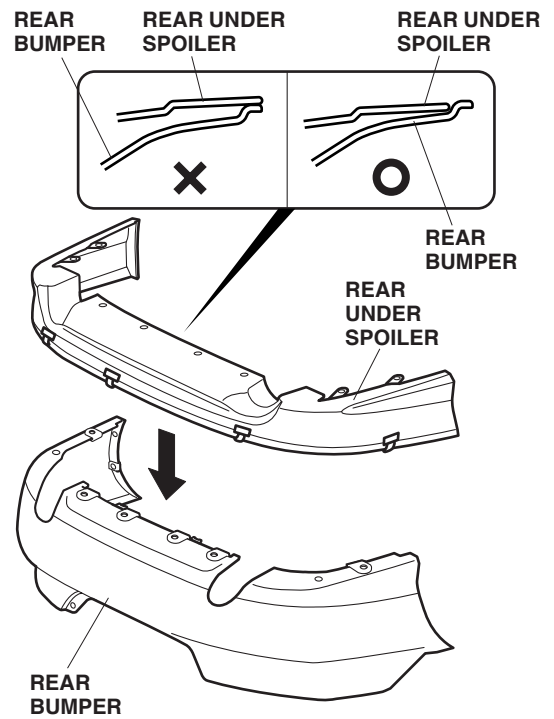
- Using a utility knife, cut out the areas from the rear bumper as shown. Remove any burrs from the edges of the holes with a file.



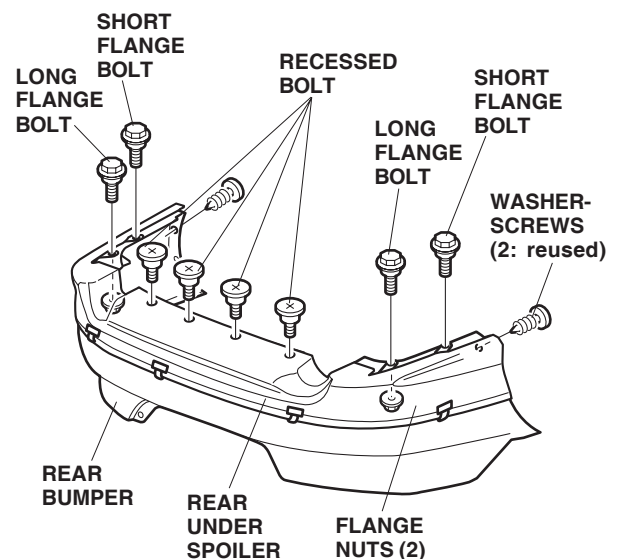
- Slide the six clip nuts onto the bottom flange of the rear bumper through the cutouts. Note the direction of the clip nuts.
- Attach a strip of masking tape to the end of the five adhesive backings, and remove 1-1/2 to 2 inches of the adhesive backings. Fold the ends back, and tape them to the front of the rear under spoiler.



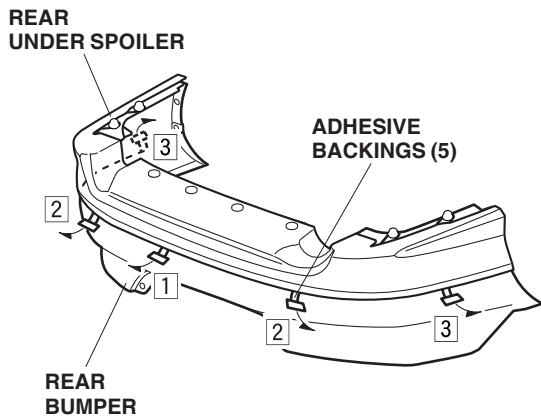
- Using isopropyl alcohol on a shop towel, clean the rear bumper where the rear under spoiler will attach.



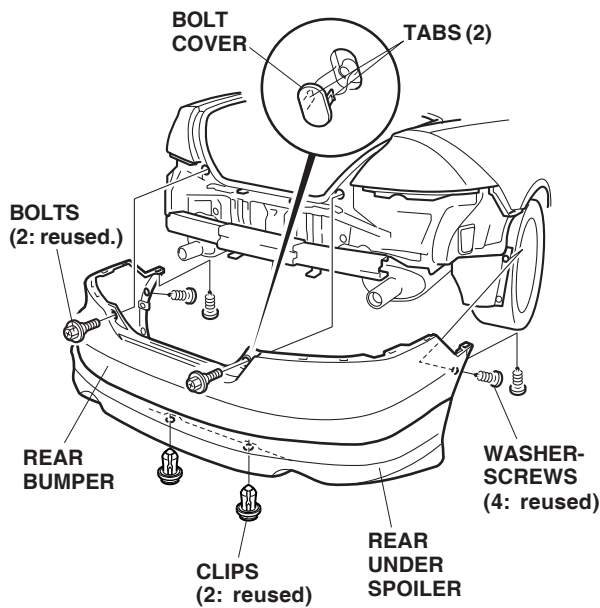
- Position the rear under spoiler on the rear bumper, and align it properly. Check that the bottom flange of the rear bumper is not over the bottom of the rear under spoiler.
- Install the rear under spoiler with two washer-screws, two short flange bolts, two long flange bolts, four recessed bolts, and two flange nuts. Do not tighten the bolts or the washer-screws yet.



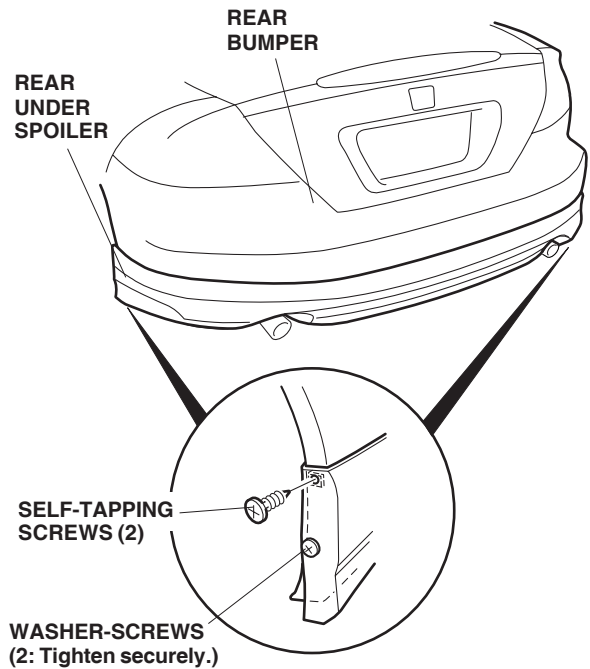
11. While holding pressure on the rear under spoiler, slowly and carefully remove the adhesive backings in the order shown. Using the palm of your hand, hold the rear under spoiler firmly against the rear bumper for 30 seconds.



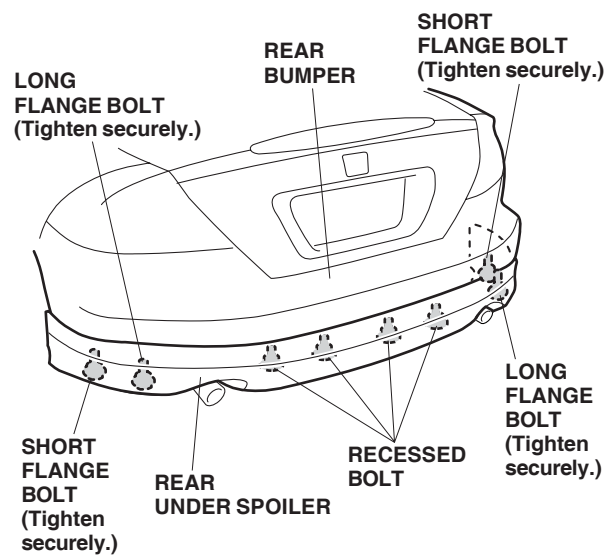
12. Reinstall the rear bumper (two bolts, two clips, four washer-screws, and two bolt covers).



13. While holding the rear under spoiler against the rear bumper, install the one self-tapping screw on each side. Make sure the bottom self-tapping screws are threaded into the rear inner fender.

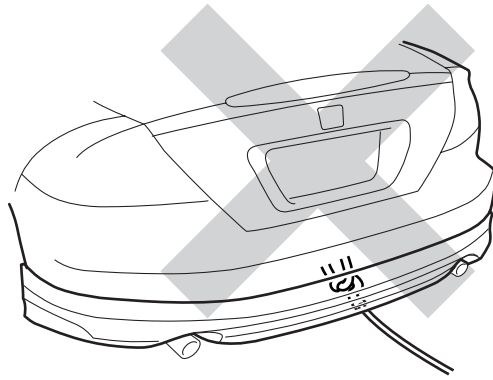


14. Tighten the two washer-screws installed in step 10.
15. Tighten the two short flange bolts, two long flange bolts, and four recessed bolts installed in step 10.



Give a copy of this page to your customer.

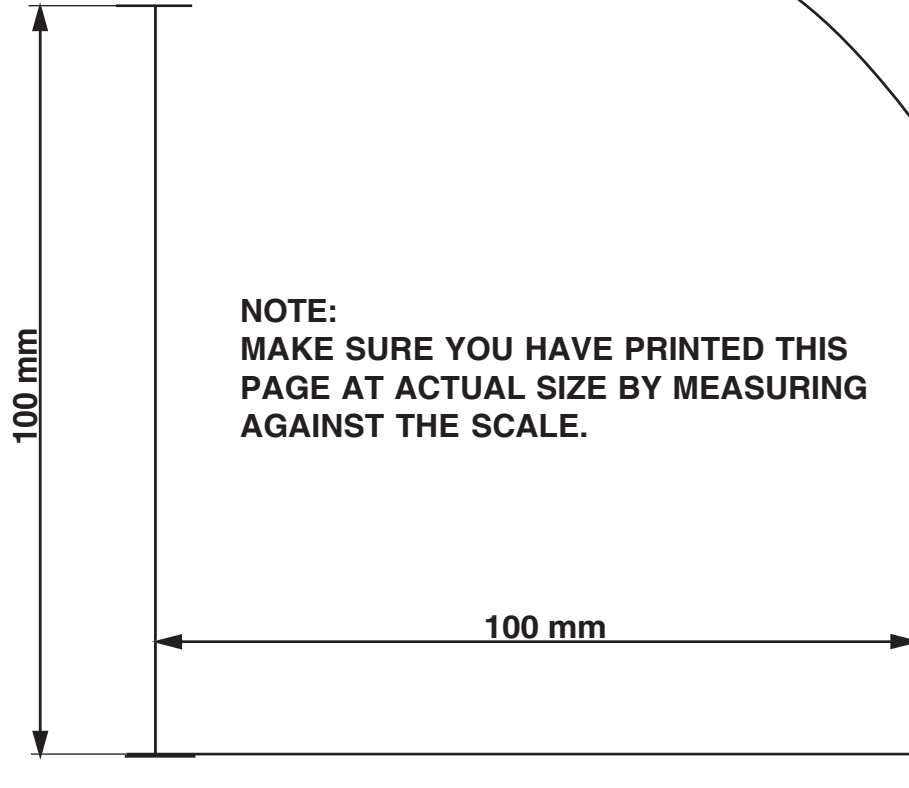
- When towing the vehicle, follow the instructions described in the vehicle owner's manual.
- When using the rear towing hook, make sure to remove the rear bumper with rear under spoiler. Failure to follow this precaution could damage the vehicle, the rear bumper, and the rear spoiler.



CUT LINE

LEFT SIDE

(REVERSE FOR RIGHT SIDE)



NOTE:
MAKE SURE YOU HAVE PRINTED THIS
PAGE AT ACTUAL SIZE BY MEASURING
AGAINST THE SCALE.