



# INSTALLATION INSTRUCTIONS

Accessory

**TRUNK SPOILER**  
P/N 08F12-SDN-100

Application

**2006 ACCORD**  
**2-DOOR**

Publications No.

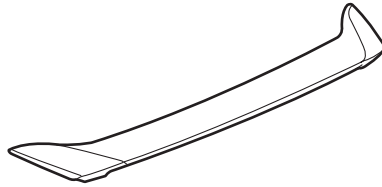
**All 30234-31197**

Issue Date

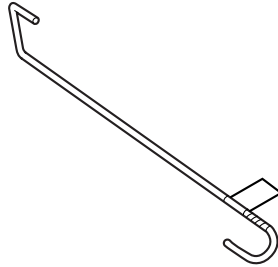
**OCT 2005**

## PARTS LIST

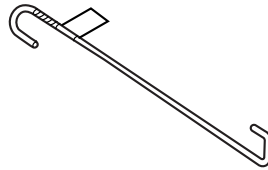
Trunk spoiler



Right trunk spring  
(marked red)



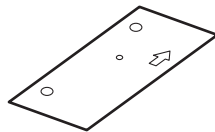
Left trunk spring  
(marked yellow)



2 Washer-screws



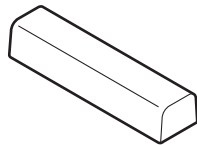
Template



4 Cap nuts



2 Rubber cushions



## TOOLS AND SUPPLIES REQUIRED

Small flat-tip screwdriver

Eye protection (face shield, safety goggles, etc.)

Drill

3 mm, 5 mm, and 8 mm Drill bits

Drill stop

10 mm Combination wrench

Felt-tip pen

Center-punch

Touch-up paint

Piece of wire

10 mm Socket

Torque wrench

Gloves

Trunk Spring Installer/Remover:

T/N 07XAZ-S0K-0100

Isopropyl alcohol

Shop towel

Utility knife

Diagonal cutters

## INSTALLATION

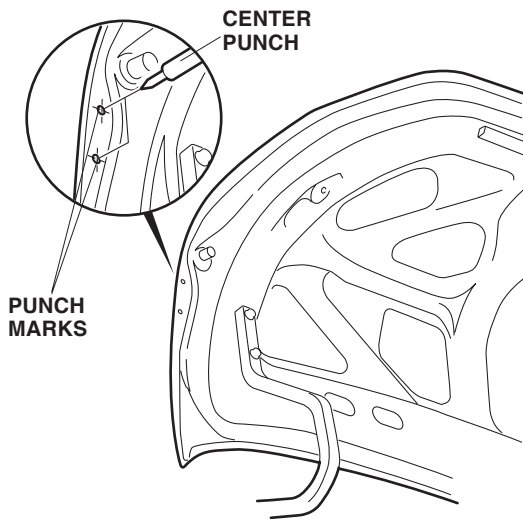
**Customer information:** The information in this installation instruction is intended for use only by skilled technicians who have the proper tools, equipment, and training to correctly and safely add equipment to your car. These procedures should not be attempted by "do-it-yourselfers."

### NOTE:

- Be careful not to damage the body paint finish.
- This trunk spoiler kit should be installed only if the ambient air temperature is 60°F (15°C) or above.
- Wash and wax the area to be covered with a high-quality paste wax.

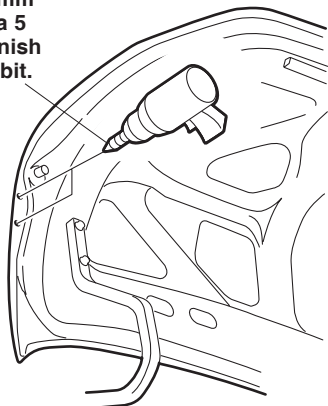
## Installing the Trunk Spoiler

1. Open the trunk lid. Inside trunk lid, locate the two identification marks on the trunk lid. Lightly center-punch each mark. Repeat on the right side of the trunk lid.

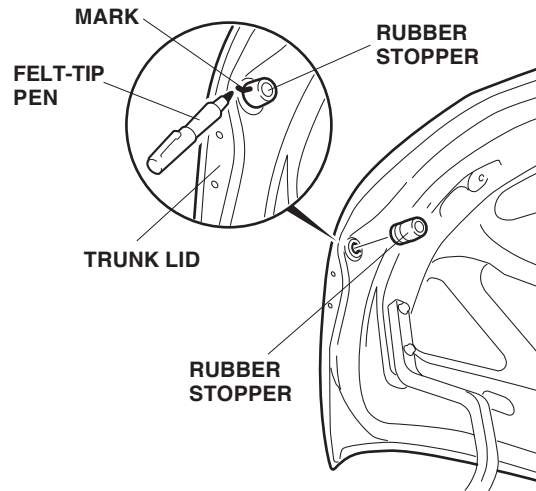


2. Have an assistant hold the trunk lid open. While wearing eye protection, drill an 8 mm hole through each mark:
  - To prevent the metal shavings from the falling on to the trunk floor, place a cover over the trunk floor.
  - First drill with a 3 mm drill bit, then with a 5 mm drill bit, and finish with an 8 mm drill bit.
  - Remove all burrs and metal shavings, and apply touch-up paint to the edges of the holes.
  - When the touch-up paint is dry, clean the area to be covered, and wax it with a high-quality paste wax.
  - Repeat on the right side of the trunk lid.

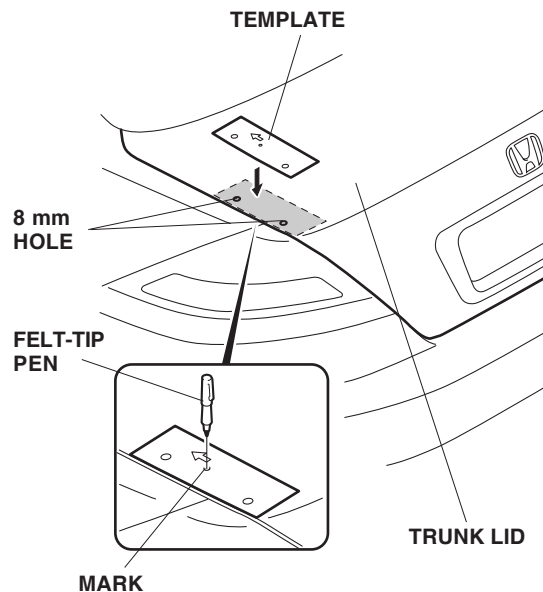
First drill with a 3 mm drill bit, then with a 5 mm drill bit, and finish with an 8 mm drill bit.



3. Using a felt-tip pen, make a small mark across the rubber stopper and trunk lid, then remove the stopper.

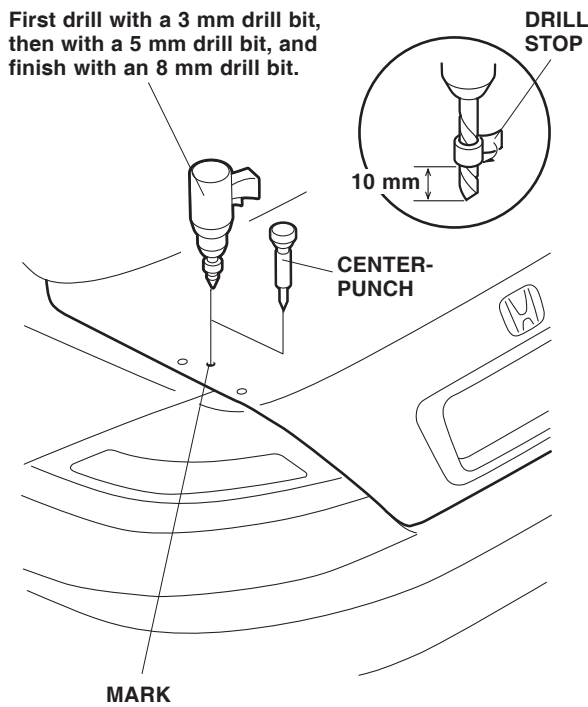


4. Close the trunk lid. Position the template, printed side up, at the left (driver's side) edge of the trunk lid. Align the two outer holes on the template with the two holes on the trunk lid. Using a felt-tip pen, mark the trunk lid as indicated on the template.

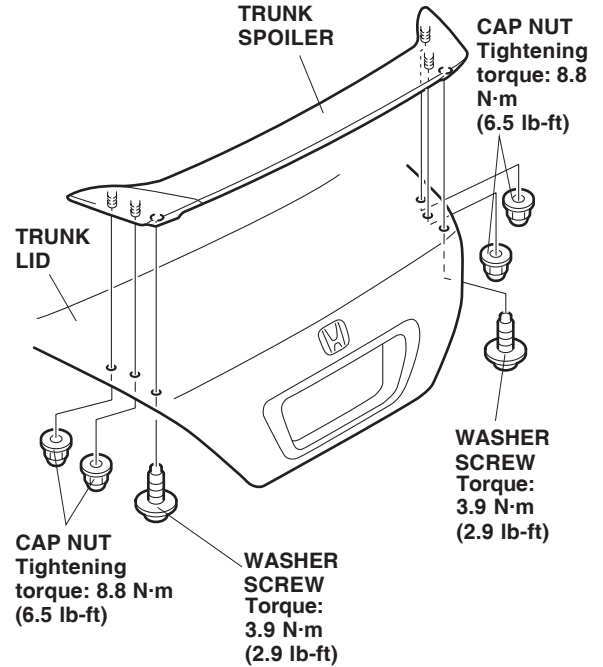


5. Turn the template over, and repeat step 4 to mark the right side of the trunk lid.

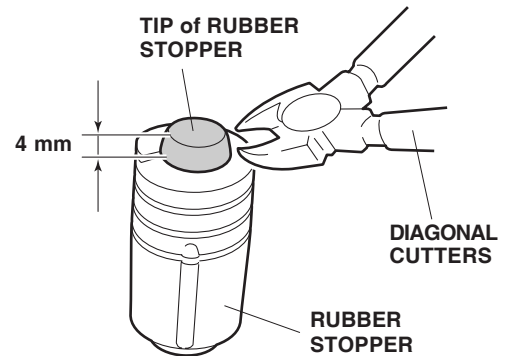
6. Remove the template, and lightly center-punch all of marks.
7. While wearing eye protection, drill 8 mm holes at the center-punched marks through the outer skin of the trunk lid. Use a drill stop to avoid drilling through the inner panel:
  - 8 mm hole: First drill with a 3 mm drill bit, then with a 5 mm drill bit, and finish with an 8 mm drill bit.
  - Remove all burrs and metal shavings, and apply touch-up paint to the edge of the hole you drilled. Allow the touch-up paint to dry thoroughly before proceeding to the next step.
  - Repeat on the right side of the trunk lid.



8. Open the trunk lid. Fit the trunk spoiler into position on the trunk lid, and install the four cap nuts and two washer-screws.
  - Torque the cap nuts to 8.8 N·m (6.5 lb-ft)
  - Torque the washer screws to 3.9 N·m (2.9 lb-ft)



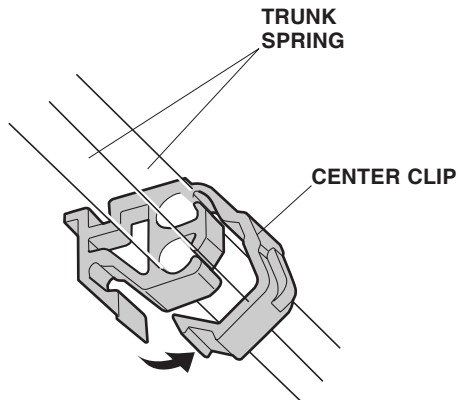
9. Get the rubber stoppers removed in step 3. Using diagonal cutters, cut the tip off of the rubber stoppers.



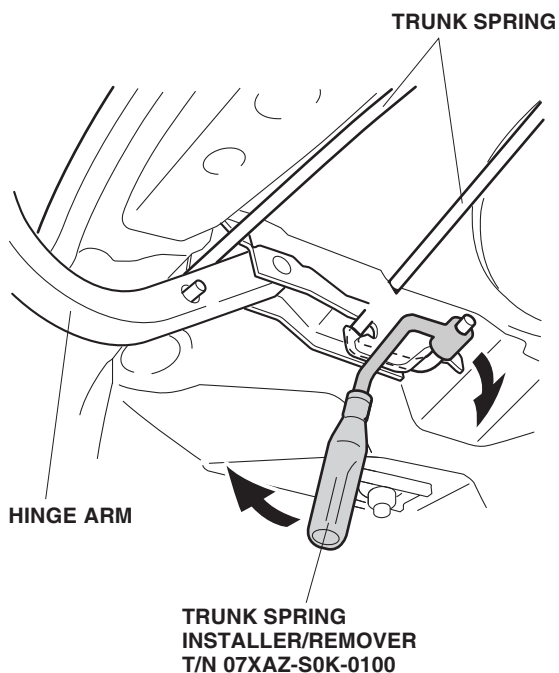
10. Reinstall the rubber stoppers by aligning them with the marks on the body.

## Installing the Trunk Spring

11. Open the trunk, and remove the center clip from the trunk springs.

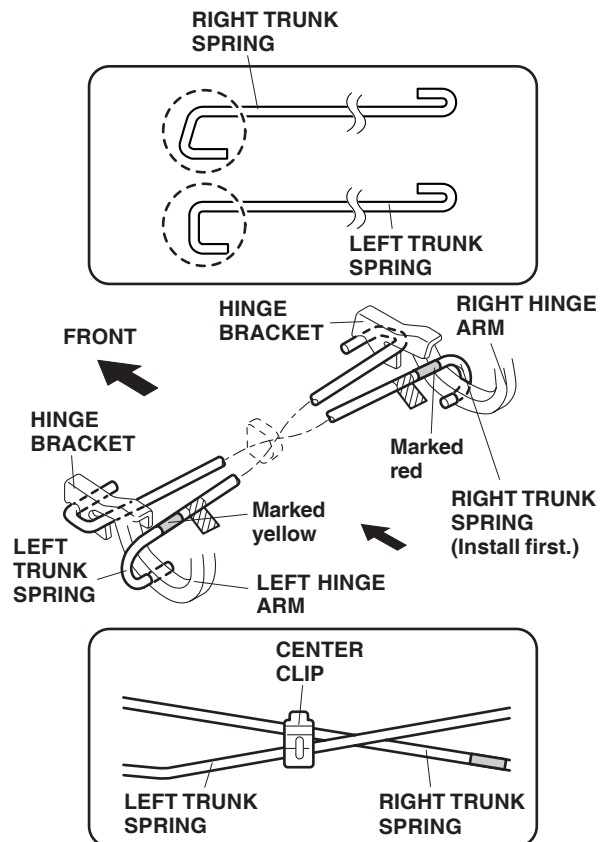


12. With an assistant holding the trunk lid open, remove the old trunk springs from the trunk hinge arms using the special tool. Wear gloves to protect your hands, and pull the special tool slowly and carefully toward you.



13. Install the right trunk spring and the left trunk spring in the reverse order of removal:

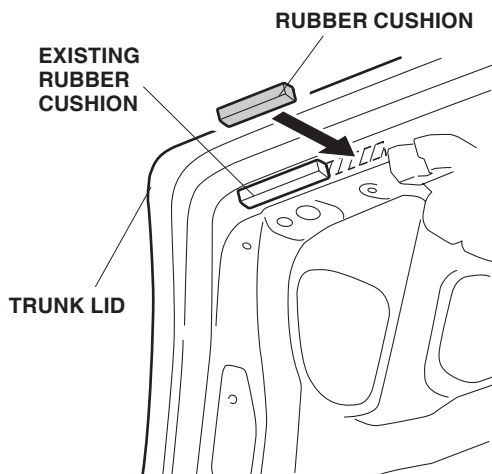
- Install the right trunk spring and the left trunk spring in this order.
- Set the tool on the marked end of each trunk spring.
- Install the red-marked spring in the slot in the right (passenger's) side trunk hinge arm and to the hinge bracket on the left (driver's) side of the car; install the yellow-marked spring in the slot in the left (driver's) side trunk hinge arm and to the hinge bracket on the right (passenger's) side of the car.
- Wearing gloves, rotate the tool as you pull it toward you.
- Set the springs in the first notch (original position) of the hinge brackets.



14. Reinstall the center clip on the trunk springs.

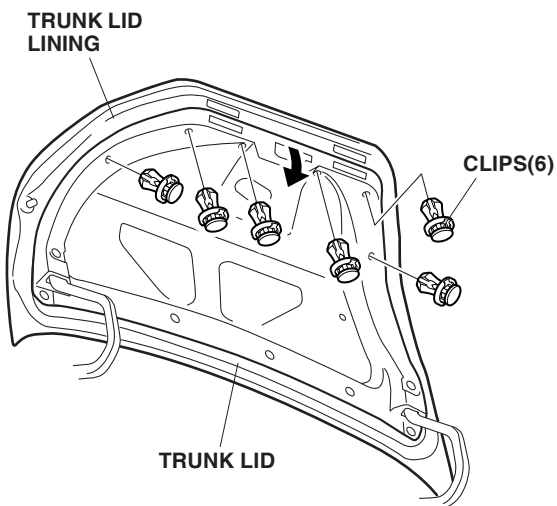
If the car does not have a trunk lid cover, continue with step 15; if the car has a trunk lid, cover go to 17.

- Using isopropyl alcohol on a shop towel, clean the areas where the rubber cushions will attach.

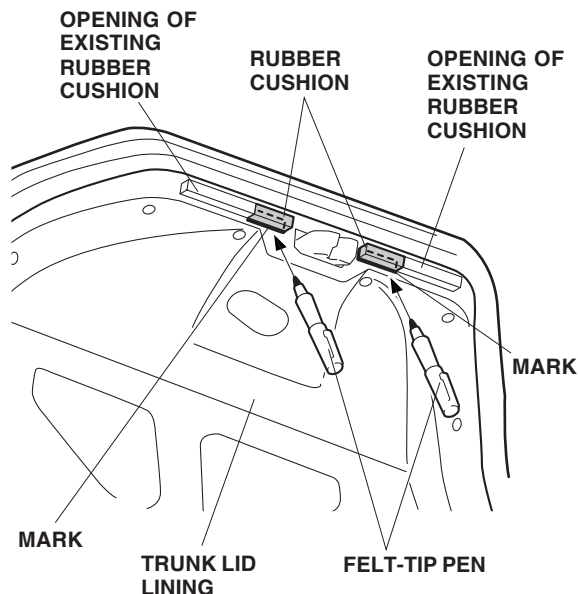


- Remove the adhesive backing from the rubber cushion, and attach it to the inside panel of the trunk lid next to the existing rubber cushion. Use the palm of your hand to hold pressure against it for 30 seconds. Repeat on the right side. Then, go to step 22.

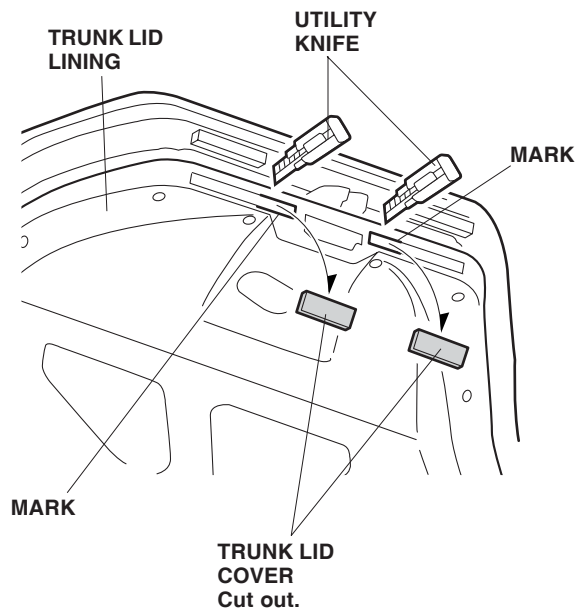
- Remove the six clips from the trunk lid.



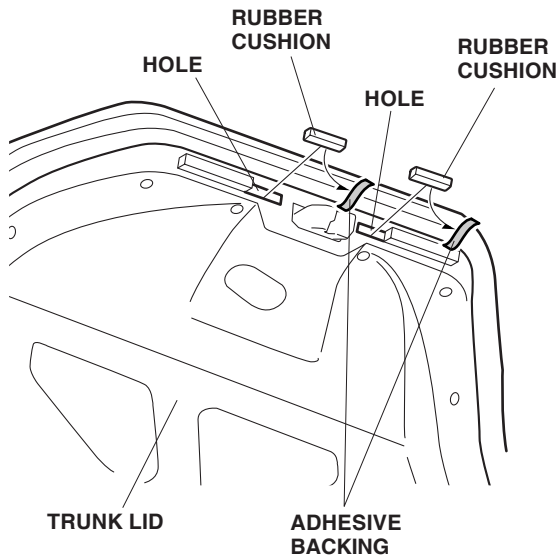
- Position the two rubber cushions by the two existing rubber cushion on the trunk lid lining as shown. Align each of the rubber cushions with the corresponding rubber cushion this time, and mark the trunk lid lining along the rubber cushions using a felt-tip pen.



- Pull the trunk lid lining and cut it out along the marks you made in step 18 using a utility knife.



20. Using isopropyl alcohol on a shop towel, clean the areas where the rubber cushions will attach.



21. Remove the adhesive backing from each of the two rubber cushions. Attach a rubber cushion to the trunk lid while aligning it with the hole you made in the trunk lid cover in step 19. Use the palm of your hand to hold pressure against them for 30 seconds. Repeat on the right side.
22. Reinstall all removed parts. Check that the clips are installed securely.
23. Open the trunk lid, and make sure the trunk lid stays open on its own. If it won't, adjust the trunk springs to the second notch position of the hinge brackets.

#### USE AND CARE

- Handle the spoiler with care. It is not designed to absorb impact.
- Do not open or close the trunk lid by grasping the spoiler.
- Check the spoiler mounting nuts periodically, and retighten them if necessary.