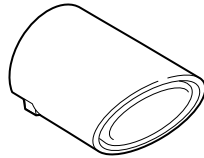


**PARTS LIST**

2 Exhaust pipe trims

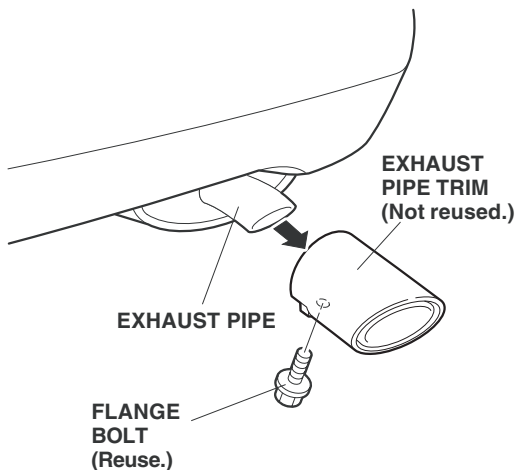
**TOOLS REQUIRED**

10 mm Socket

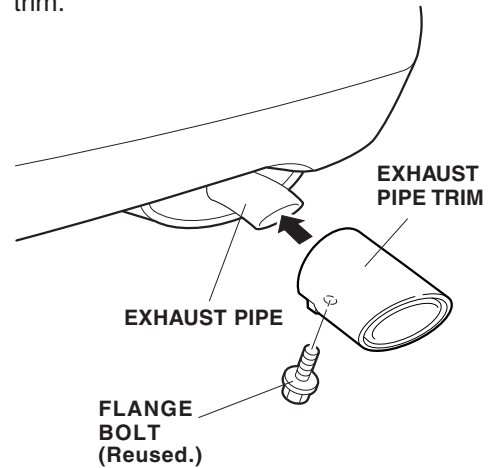
Torque wrench

**INSTALLATION****NOTE:**

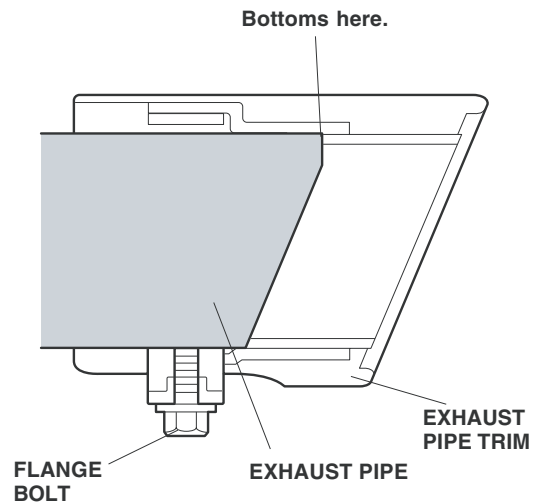
- Allow the exhaust pipe to cool down before you install the exhaust pipe trims.
  - These instructions show the right exhaust pipe trim being installed. The same procedure applies to installing the left exhaust pipe trim.
  - Never use cleaners with abrasive compounds to clean the exhaust pipe trims, as they will damage the trim finish.
1. Remove the existing exhaust pipe trim, and retain the flange bolt.



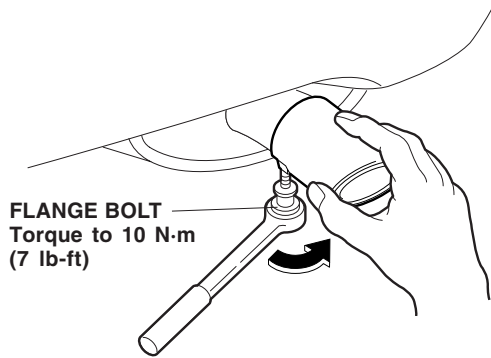
2. Partially thread flange bolt into the exhaust pipe trim.



3. With the flange bolt on the bottom, facing down, slide the exhaust pipe trim onto the exhaust pipe until it bottoms.



4. While pushing the exhaust pipe trim firmly against the exhaust pipe, tighten the flange bolt. Torque to 10 N·m (7 lb-ft).



5. Repeat steps 1 through 4 to install the other exhaust pipe trim.
6. Start the engine, and rev it up a few times. Listen for vibration from the exhaust pipe trim and adjust if necessary.