



# INSTALLATION INSTRUCTIONS

Accessory

HONDA MUSIC LINK

Application

2006 ACCORD  
2- AND 4-DOOR

Publications No.

All 31576

Issue Date

DEC 2005

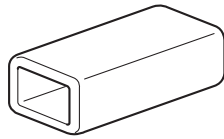
## PARTS LIST

Attachment Kit (sold separately)  
P/N 08A28-1H1-800

4 Cushion tapes



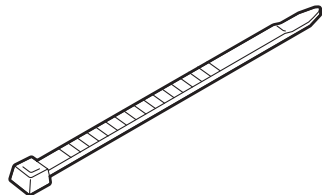
Holder cushion



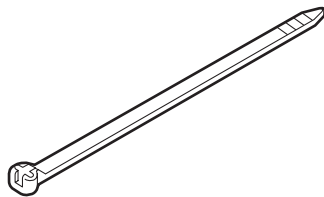
Grommet



8 Wire ties

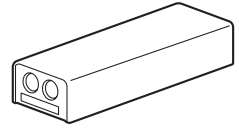


2 Long wire ties

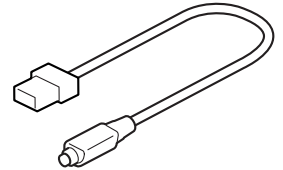


Honda Music Link Kit (sold separately)  
P/N 08A28-1H1-100

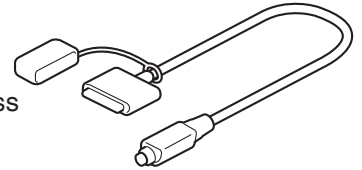
Honda Music Link unit



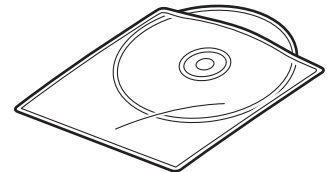
Bus cable



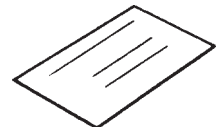
Honda Music Link harness



CD-ROM

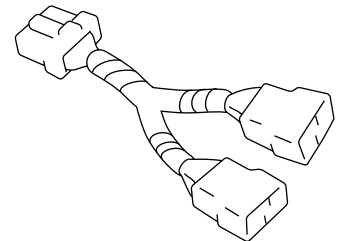


Quick Reference Guide



BUS Cable 2 Port (sold separately)  
P/N 08A31-0F1-000

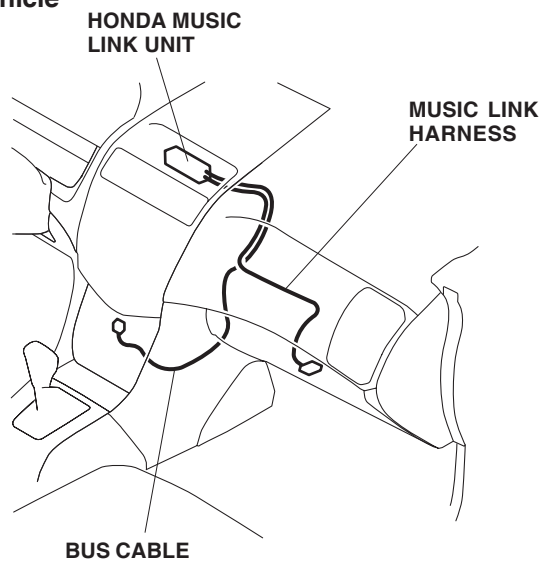
BUS cable 2 port



## TOOL AND SUPPLIES REQUIRED

#2 Phillips screwdriver  
Flat-tip screwdriver  
Diagonal cutters  
Scissors  
Ratchet  
10 mm Socket  
10 mm Combination wrenches  
Drill  
Drill bit (3 mm)  
Hole saw (19 mm) (3/4")  
Electrical tape  
Hook tool  
Masking tape  
Pushpin  
Eye protection  
Isopropyl alcohol  
Felt-tip pen

## Illustration of the Honda Music Link Installed on the Vehicle



## INSTALLATION

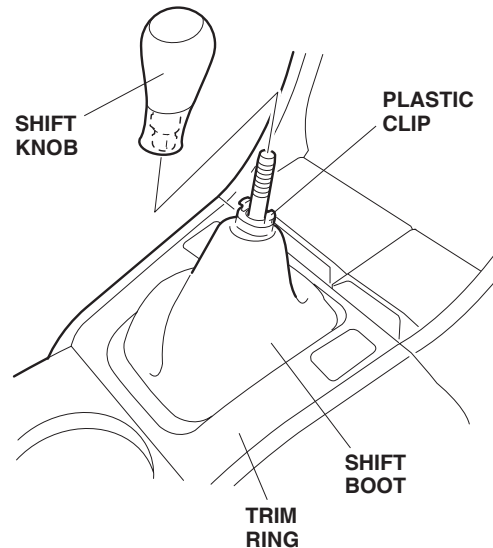
**Customer Information:** The information in this installation instruction is intended for use only by skilled technicians who have the proper tools, equipment, and training to correctly and safely add equipment to your vehicle. These procedures should not be attempted by "do-it-yourselfers."

1. Make sure you have the anti-theft code for the radio, then write down the frequencies for the preset buttons.
2. Disconnect the negative cable from the battery.

3. Remove the trim ring.

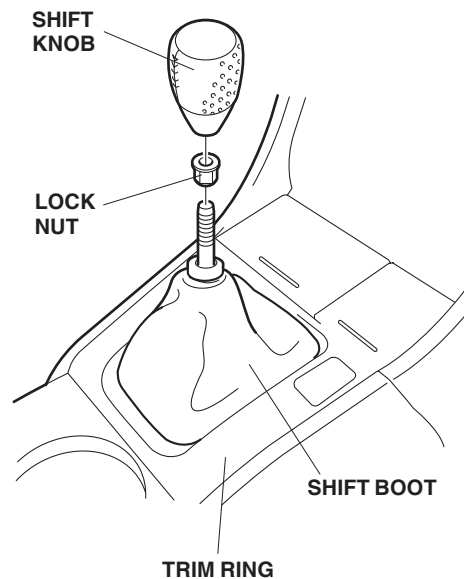
## M/T Model

- Squeeze the plastic clip, and pull down on the shift boot. Remove the shift knob by turning it counterclockwise.

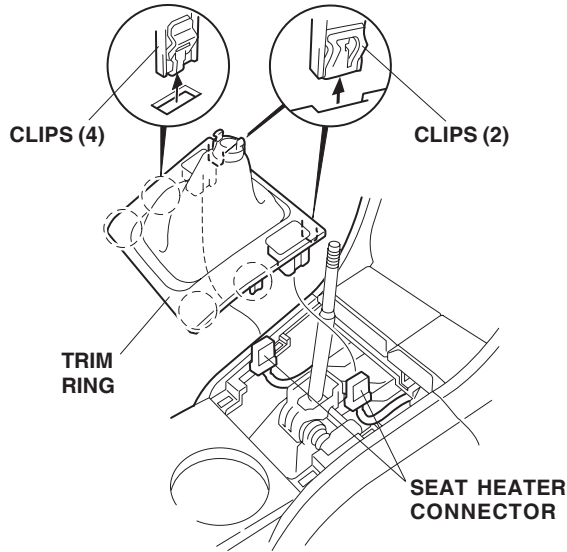


## Lock nut type

- Loosen the lock nut, and remove the gearshift knob.

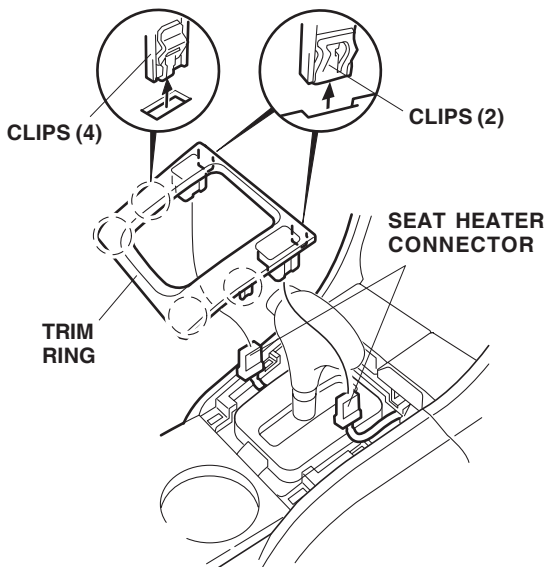


- Gently pry up on the front of the trim ring to release the two clips, and lift the trim ring by releasing the other four clips.
- Unplug the two seat heater connectors (if equipped), and remove the trim ring.



#### A/T Model

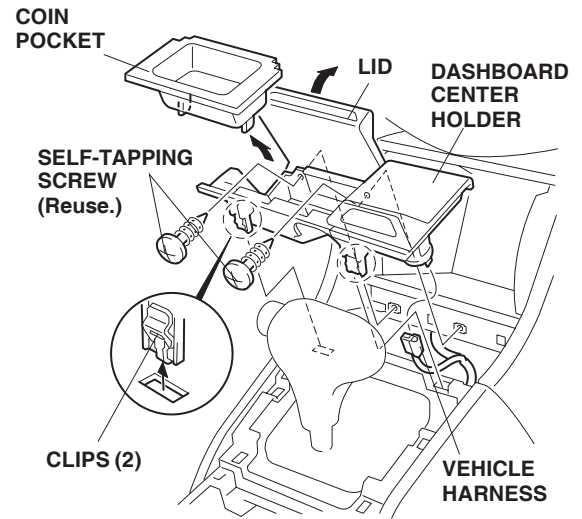
- Gently pry up on the front of the trim ring to release the two clips, and lift the trim ring by releasing the other four clips.
- Unplug the two seat heater connectors (if equipped), and remove the trim ring.



4. Remove the center holder.

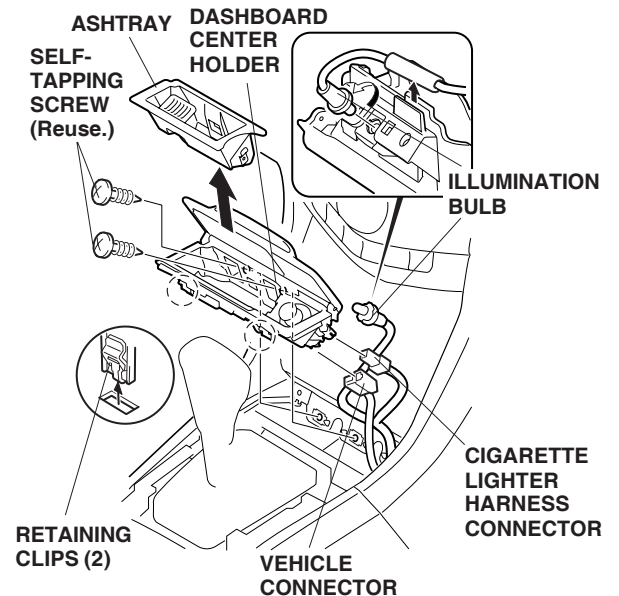
#### Without Ashtray

- Open the coin pocket lid, and remove the coin pocket.
- Remove the two self-tapping screws.
- Gently pull out on the dashboard center holder to release the two retaining clips, unplug the vehicle connector, and remove the center holder.



#### With Ashtray

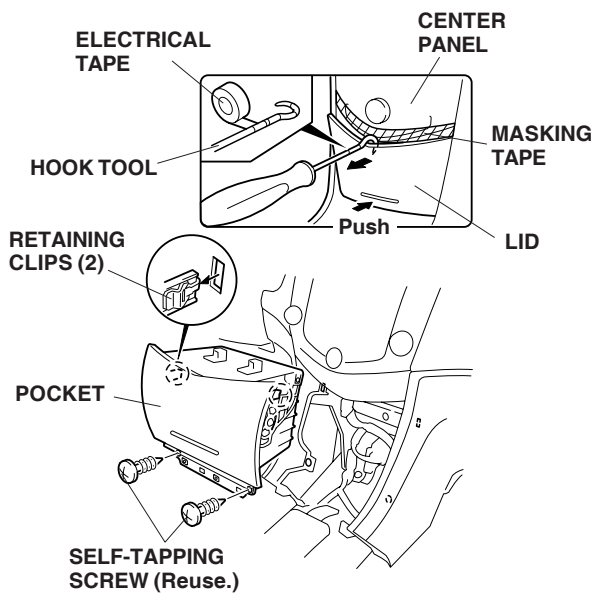
- Open the lid and remove the ashtray.
- Remove the two self-tapping screws.
- Gently pull out on the two retaining clips, unplug the cigarette lighter harness connector, vehicle connector, illumination bulb, and remove the center holder.



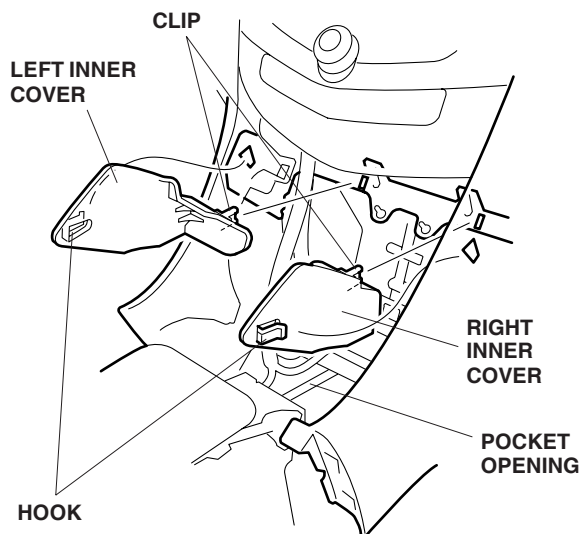
If the car is equipped with a cassette or a multi-media player or an XM radio, go to step 7; if not, continue with step 5.

5. Remove the pocket:

- Apply masking tape to the edge of the center panel.
- Remove the two self-tapping screws.
- Attach the electrical tape around the end of the hook tool. Push on the bottom of the lid, then pull out on the top by inserting the end of a hook tool between the pocket and center panel, and pulling it out toward you to release the two retaining clips. When removing the pocket, take care not to damage the lid.

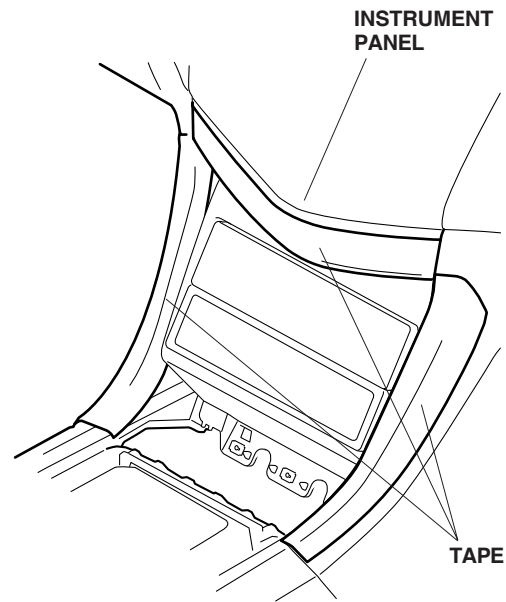


6. Remove the right and left inner covers (one hook and one clip for each cover). Go to step 8.

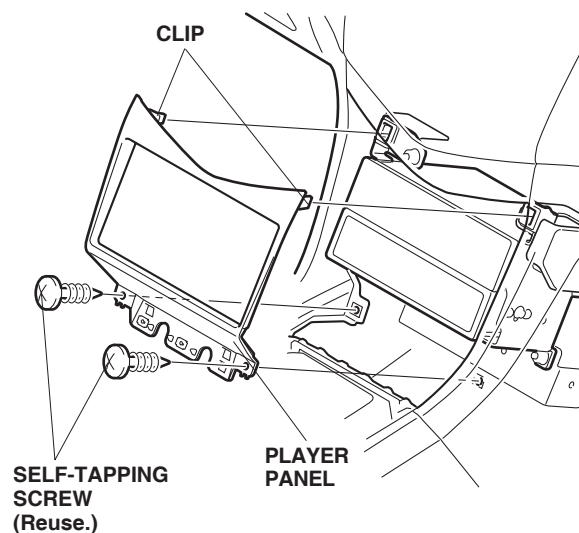


7. Remove the player or the commander unit (for XM radio).

- Attach the tape to the instrument panel as shown.

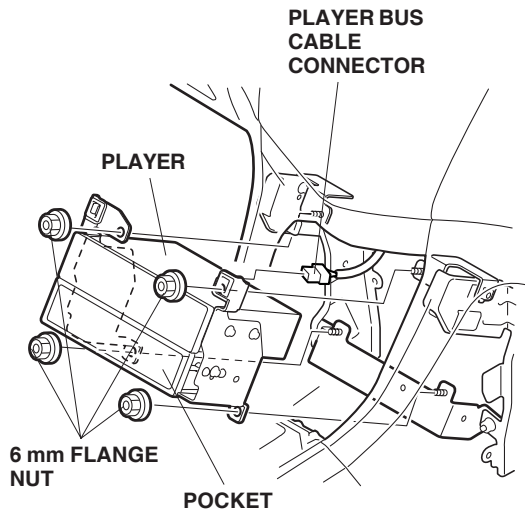


- Remove the player panel by removing the two self-tapping screws and two clips.



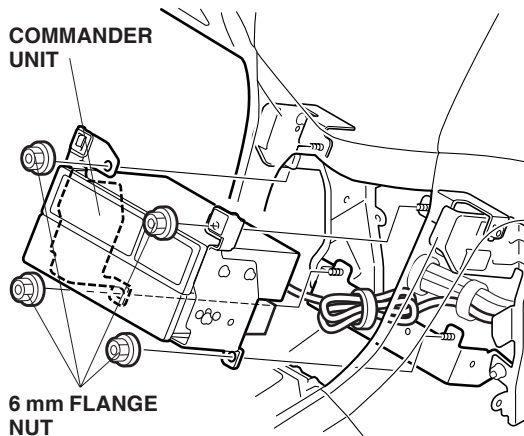
### With Cassette Player or Multi-media Player

- Remove the four 6 mm flange nuts that fasten the player and pocket. Remove the player and pocket by pulling it out toward you, and unplugging the player bus cable connector.

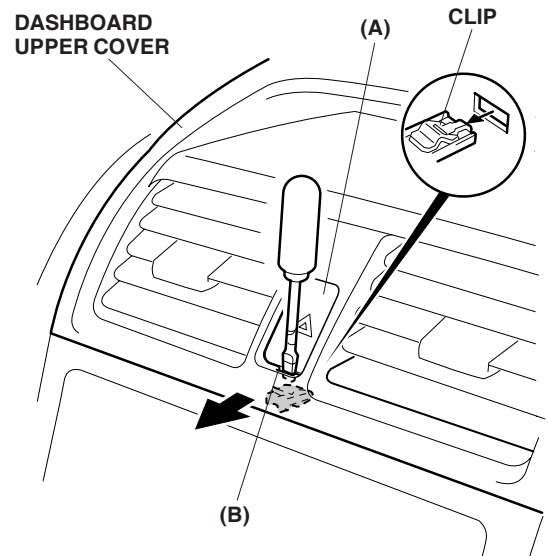


### With XM Radio

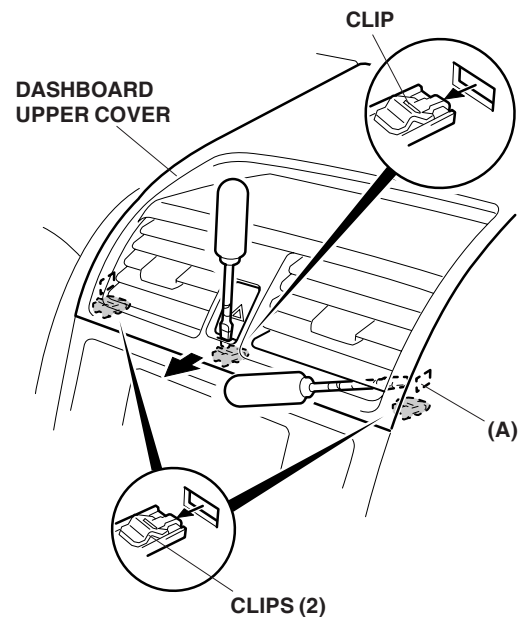
- Remove the four 6 mm flange nuts that fasten the commander unit. Remove the commander unit by pulling it out toward you.



- Push the hazard warning switch button (A). Carefully insert a flat-tip screwdriver into the slot (B).

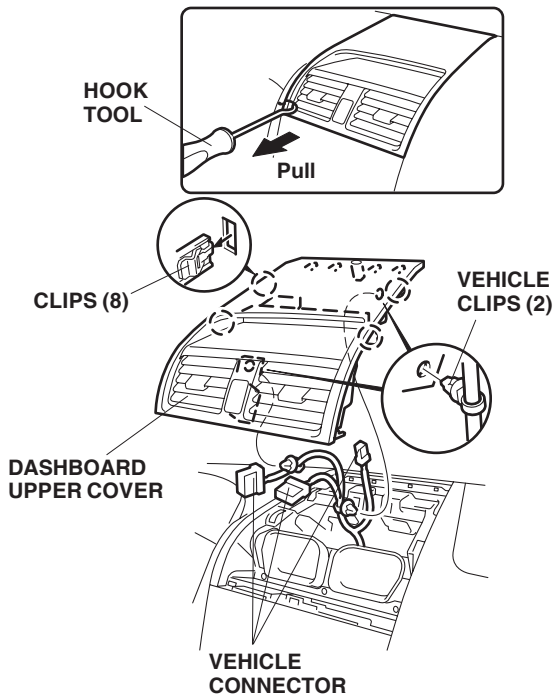


- While pushing down with a flat-tip screwdriver to release the center clip, carefully insert a flat-tip screwdriver wrapped with protective tape into the slots (A) on both sides of the upper cover, then pull out each side of the panel back to detach the clips.

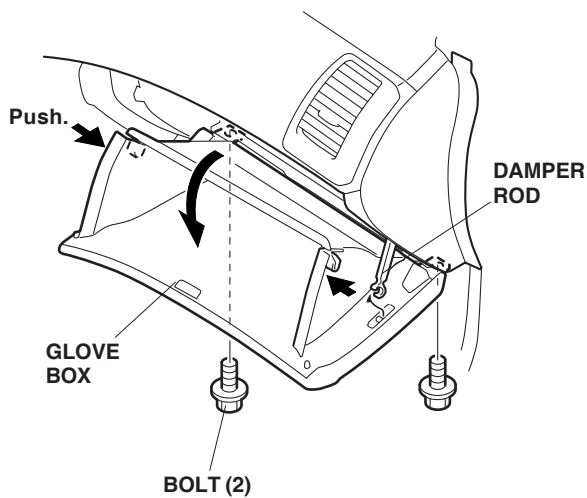


- Using a hook tool, reach inside the vent and locate the small opening on each side. Gently pull out on the dash to release the eight clips.

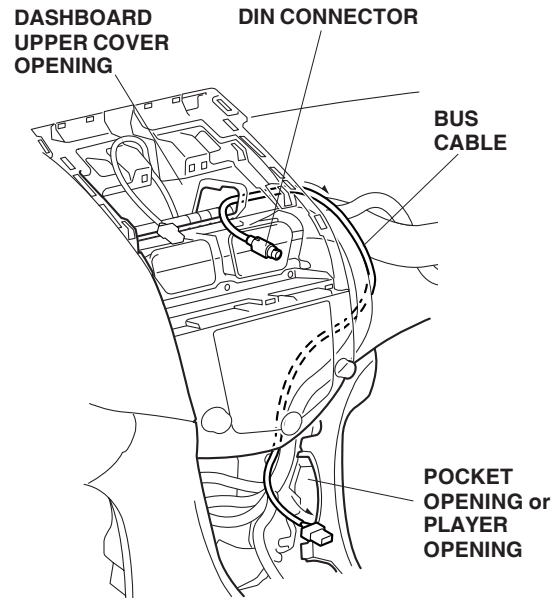
- Remove the dashboard upper cover by removing the two vehicle clips and unplugging the vehicle connector(s).



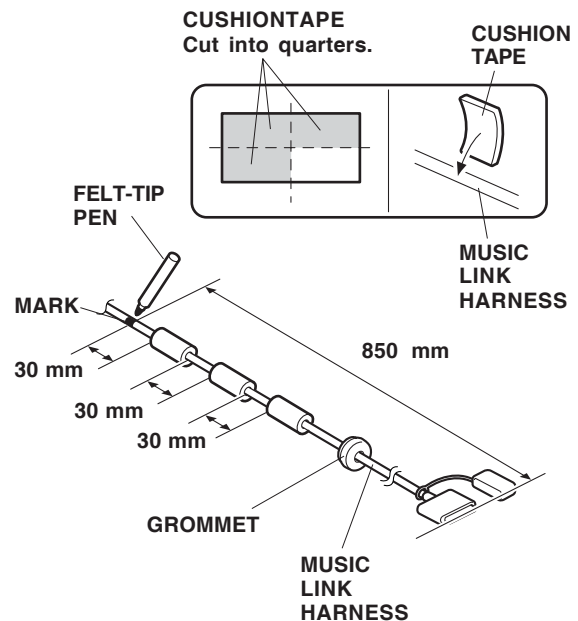
- Remove the glove box by releasing the damper rod and removing the two bolts.



- Route the 14-pin connector end of the BUS cable from the dashboard upper cover opening to the pocket opening or the player opening.

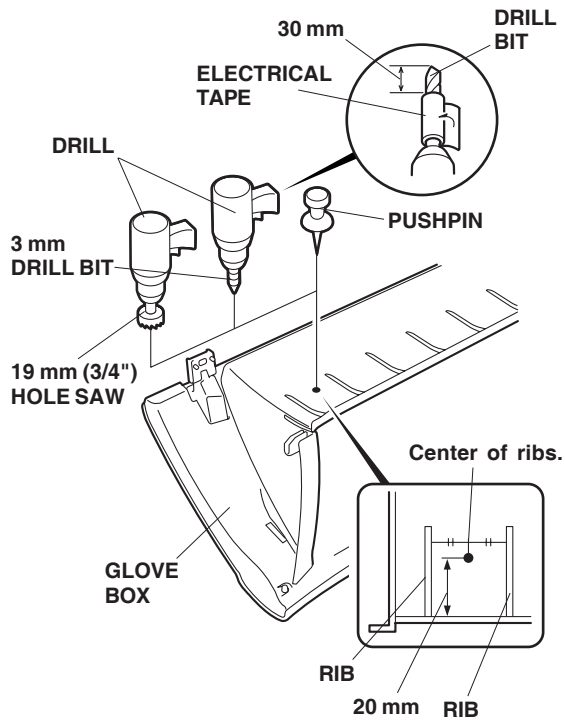


- Measure and mark with a felt-tip pen on the Music Link harness.

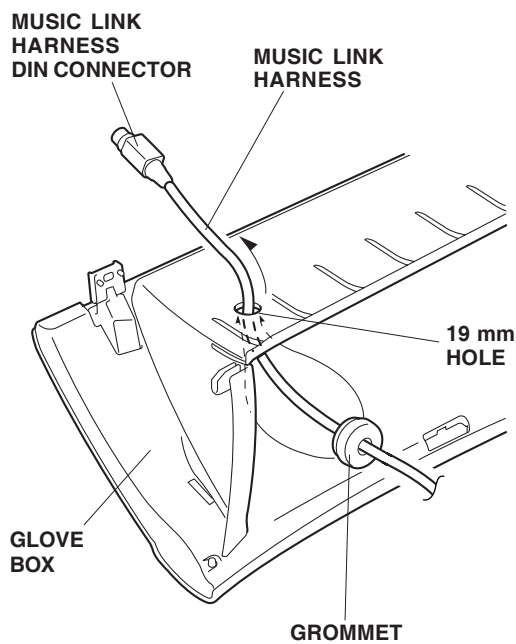


- Route the Music Link harness through the grommet.
- Cut one cushion tape as shown, and wrap the three cushion tapes to the measured location of the Music Link harness.

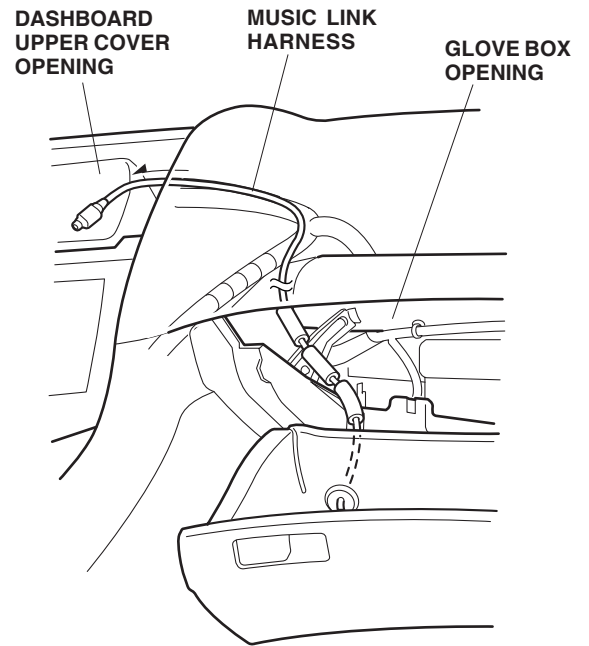
- While wearing eye protection, drill a pilot hole with 3 mm drill bit wrapped with electrical tape 30 mm from the tip. Drill 19 mm hole using hole saw and remove all burrs.



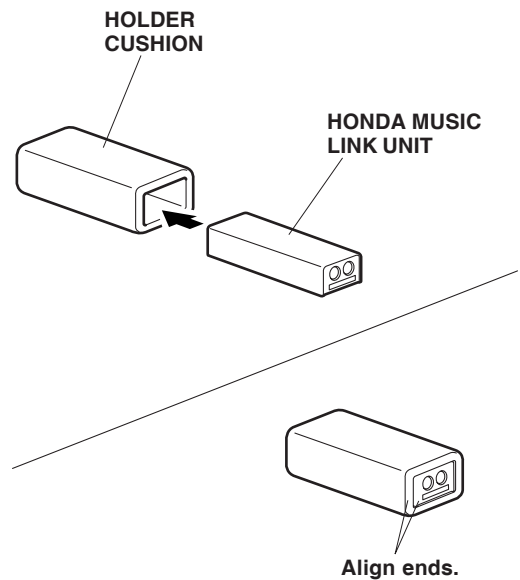
- Route the Music Link harness DIN connector into the 19 mm hole in the direction shown, and seat the grommet to the 19 mm hole.



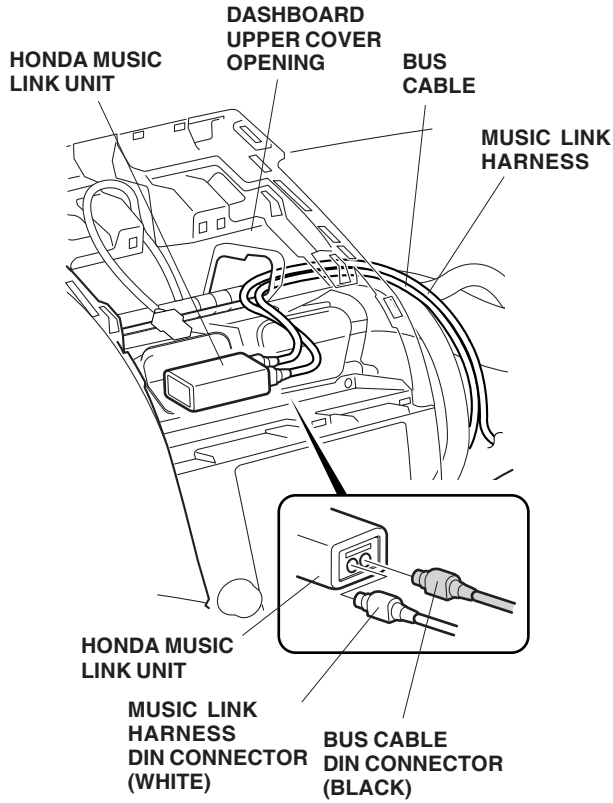
- Route the Music Link harness to the dashboard upper cover from the glove box opening.



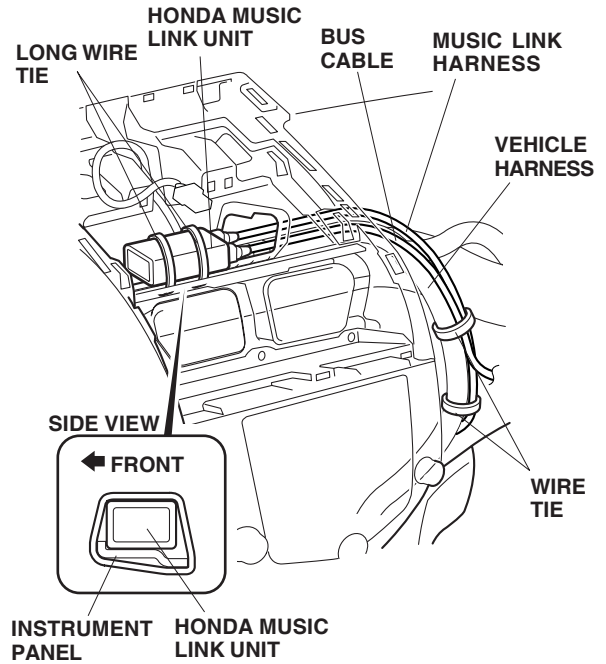
- Insert the Honda Music Link unit into the holder cushion.



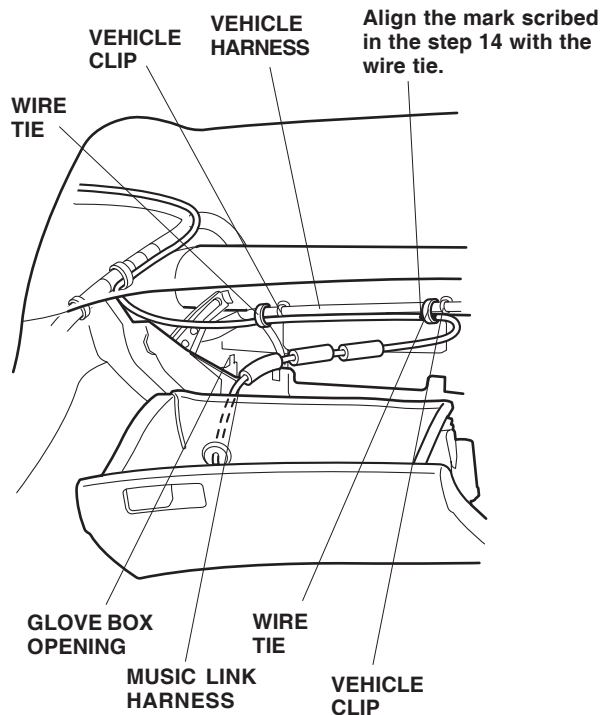
21. Route the Music Link harness and BUS cable through the dashboard upper cover opening and connect the Music Link harness DIN connector (WHITE) and BUS cable DIN connector (BLACK) to the Honda Music Link unit. Note the location of the connectors and the terminals.



22. Secure the Honda Music Link unit to the instrument panel with two long wire ties.



23. Secure the Music Link harness and BUS cable to the vehicle harness with two wire ties.
24. At the glove box opening, secure the Music Link harness to the vehicle harness with two wire ties next to the vehicle clips (Align the mark scribed in the step 14 with the wire tie as shown).

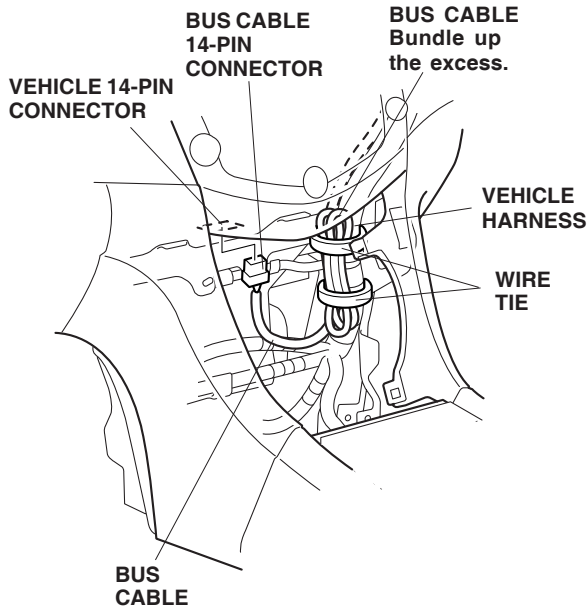




25. Secure the BUS cable.

**Normal Model:**

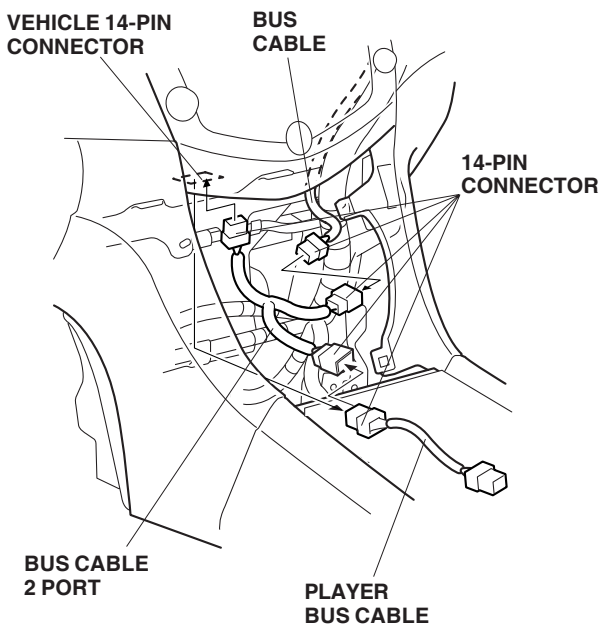
- Plug the BUS cable 14-pin connector into the vehicle 14-pin connector. Bundle up the excess BUS cable, and secure them to the vehicle harness with two wire ties.



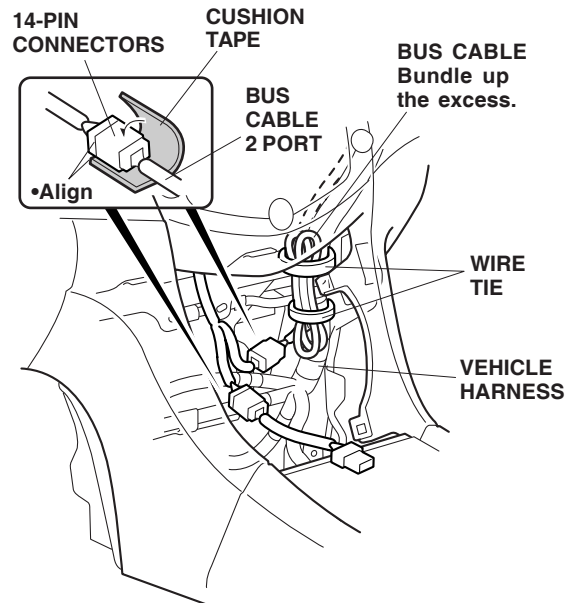
**With the Accessory Player Unit:**

**In-dash CD Player**

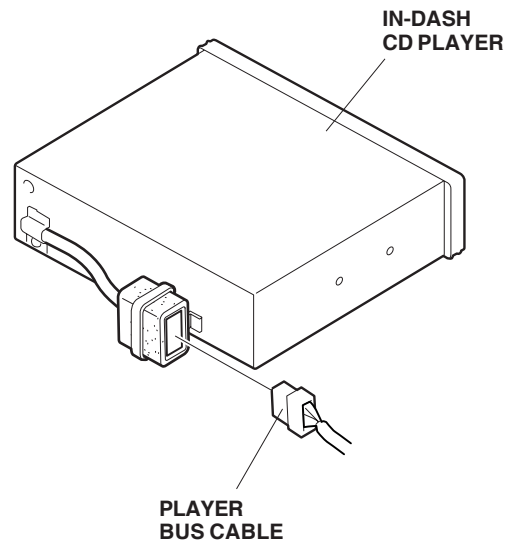
- Unplug the player BUS cable 14-pin connector from the vehicle 14-pin connector, and connect the BUS cable 2 port 14-pin connectors in between.
- Plug the BUS cable 14-pin connector into the BUS cable 2 port 14-pin connector.



- Attach one cushion tape around each BUS cable 2 port 14-pin connector.
- Bundle up the excess BUS cable, and secure them to the vehicle harness with two wire ties.

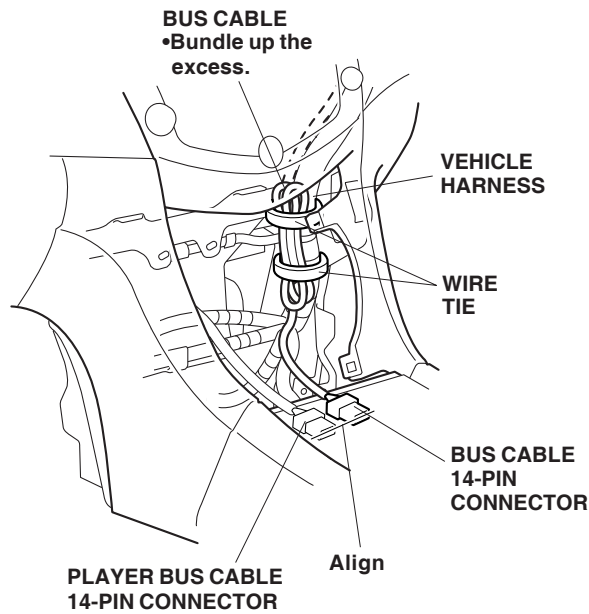


- Plug the player BUS cable 14-pin connector into the player.

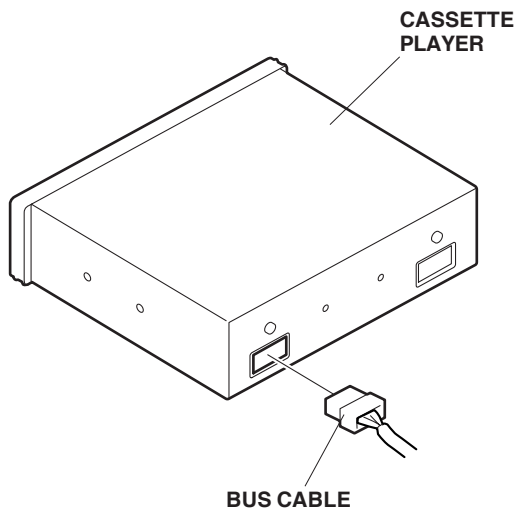


### Cassette Player

- Align the BUS cable 14-pin connector with player BUS cable 14-pin connector. Bundle up the excess BUS cable, and secure them to the vehicle harness with two wire ties.

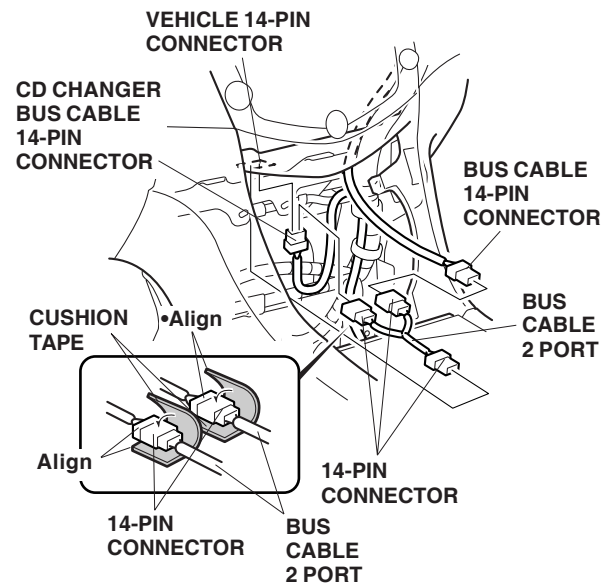


- Plug the BUS cable 14-pin connector into the player.

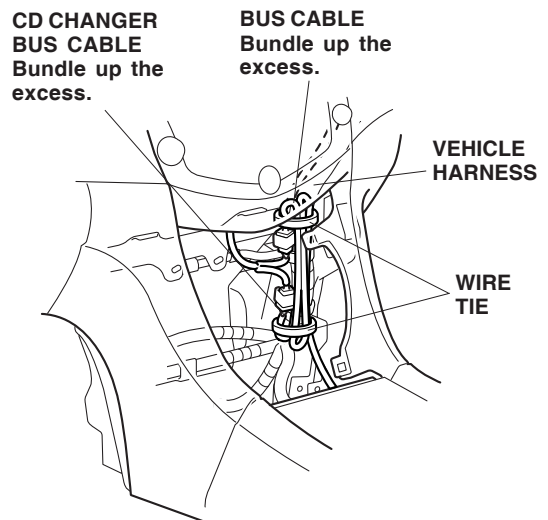


### With the Accessory CD Changer:

- Unplug the CD changer BUS cable 14-pin connector from the vehicle 14-pin connector, and connect the BUS cable 2 port 14-pin connectors in between.
- Plug the BUS cable 14-pin connector into the BUS cable 2 port 14-pin connector.
- Attach one cushion tape around each BUS cable 2 port 14-pin connector.

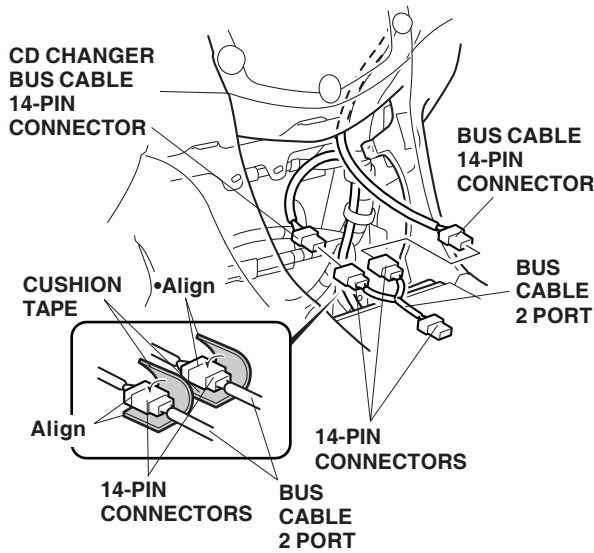


- Bundle up the excess BUS cable and the CD changer BUS cable, and secure them to the vehicle harness with two wire ties.

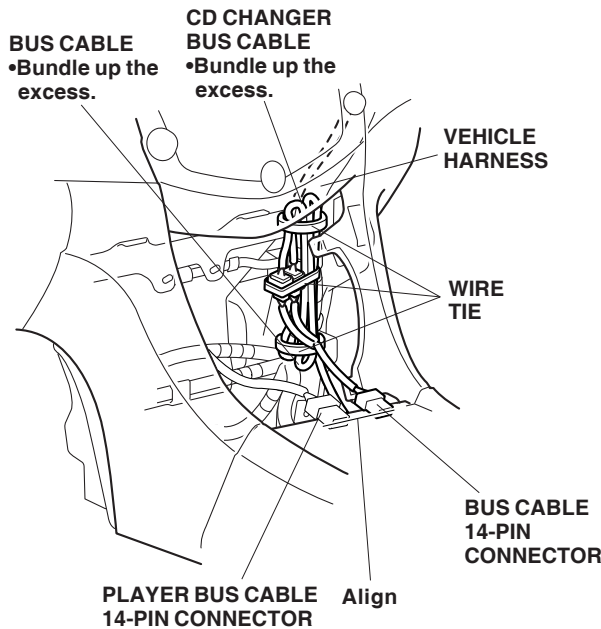


**With the Accessory Cassette Player Unit and CD Changer:**

- Connect the BUS cable 14-pin connectors and the CD changer BUS cable 14-pin connector to the BUS cable 2 port 14-pin connectors.
- Attach one cushion tape around each BUS cable 2 port 14-pin connector.

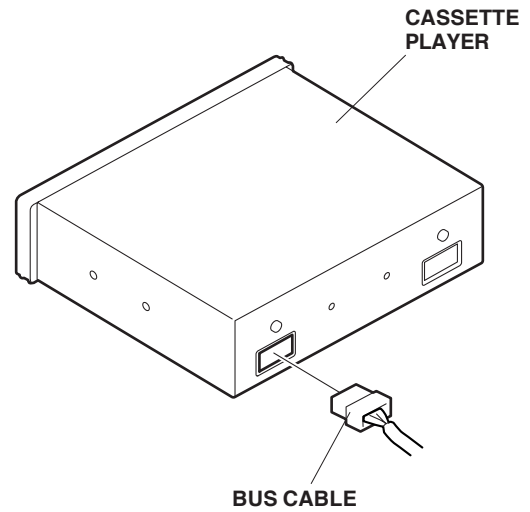


- Align the BUS cable 14-pin connector with player BUS cable 14-pin connector. Bundle up the excess BUS cable and CD changer BUS cable, and secure them and the BUS cable 2 port to the vehicle harness with three wire ties.



- Plug the BUS cable 14-pin connector into the player.

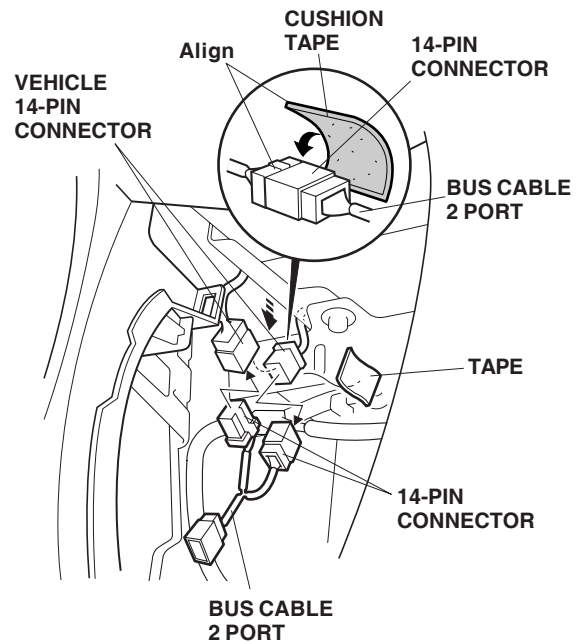
**Cassette Player**



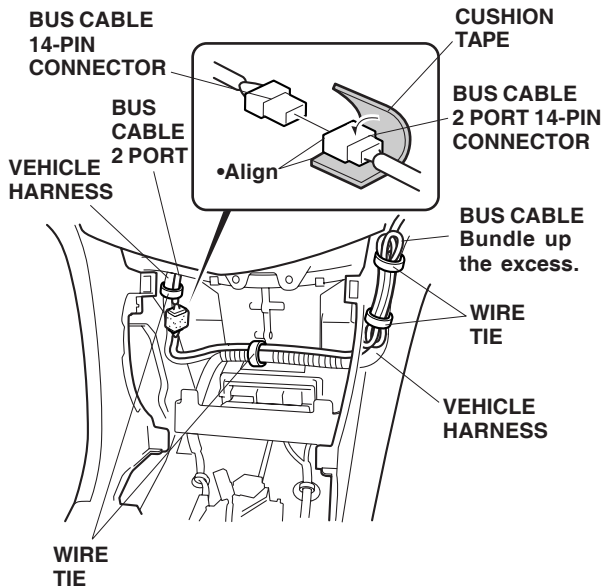
**EX-L, EX-L-SUL, EX-V6 model:**

**With Navigation System**

- Remove the tape from the vehicle 14-pin connector. Unplug the vehicle 14-pin connector. Connect the BUS cable 2 port 14-pin connectors in between.
- Attach a cushion tape to the BUS cable 2 port 14-pin connector.

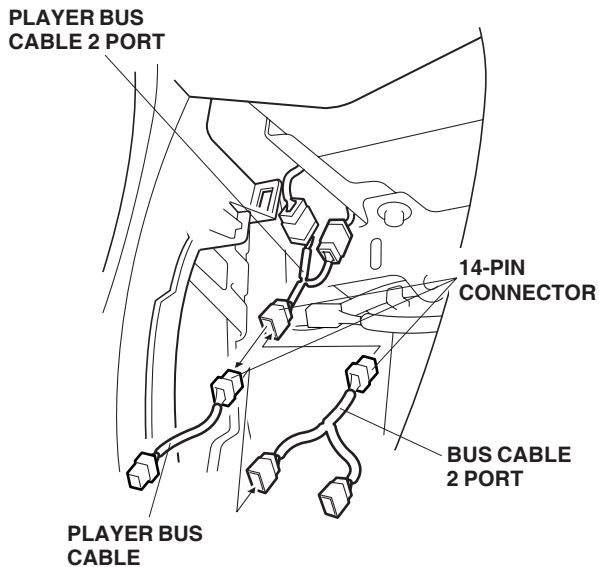


- Connect the BUS cable 14-pin connector to the BUS cable 2 port 14-pin connector, and attach a cushion tape to the BUS cable 2 port 14-pin connector. Secure the BUS cable 2 port and BUS cable to the vehicle harness with the two wire ties.
- Bundle up the excess BUS cable, and secure them to the vehicle harness with two wire ties.

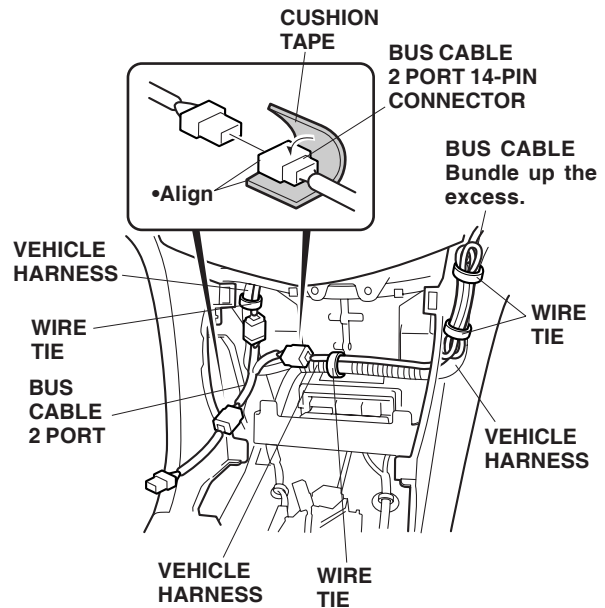


**With Navigation System and Accessory In-dash CD Player**

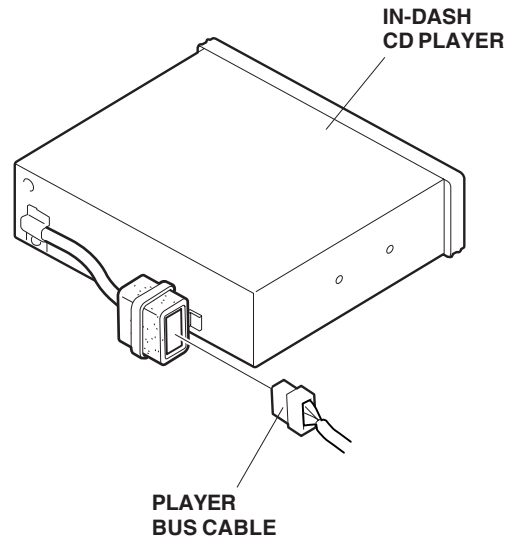
- Unplug the player BUS cable 14-pin connector from the player BUS cable 2 port 14-pin connector, and connect the BUS cable 2 port 14-pin connectors in between.



- Connect the BUS cable 14-pin connector to the BUS cable 2 port 14-pin connector, and attach one cushion tape around each BUS cable 2 port 14-pin connector. Secure the BUS cable 2 port and BUS cable to the vehicle harness with the two wire ties.
- Bundle up the excess BUS cable, and secure them to the vehicle harness with two wire ties.

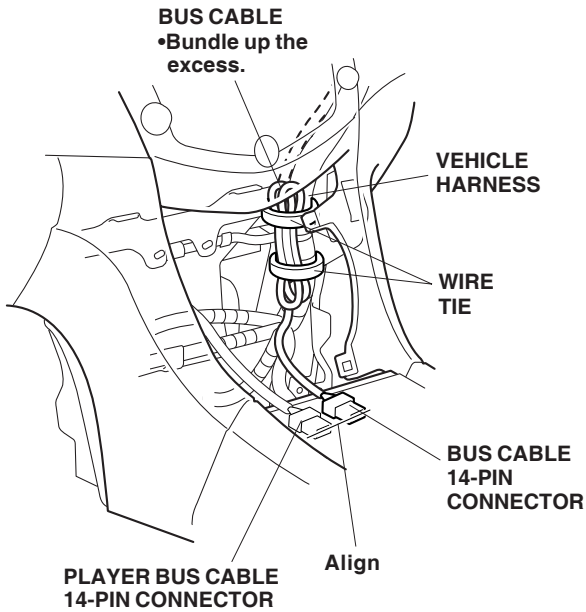


- Plug the player BUS cable 14-pin connector into the player.

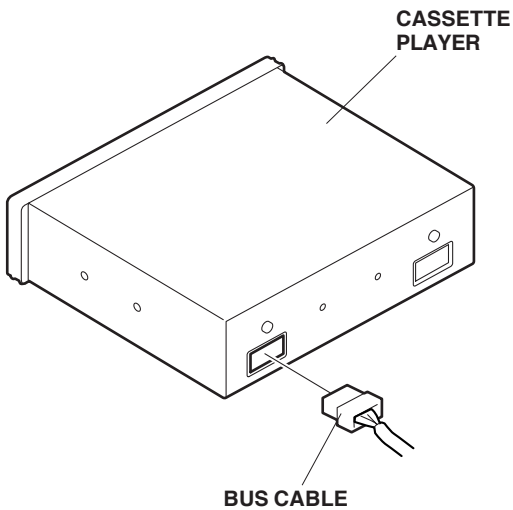


**With Navigation System and Accessory  
Cassette Player**

- Align the BUS cable 14-pin connector with player BUS cable 14-pin connector. Bundle up the excess BUS cable, and secure them to the vehicle harness with two wire ties.

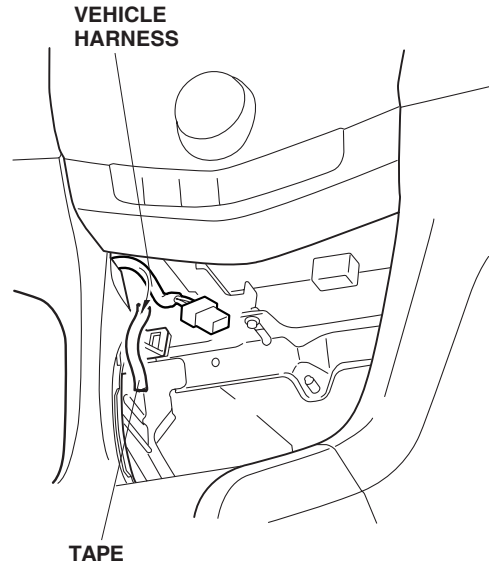


- Plug the BUS cable 14-pin connector into the player.

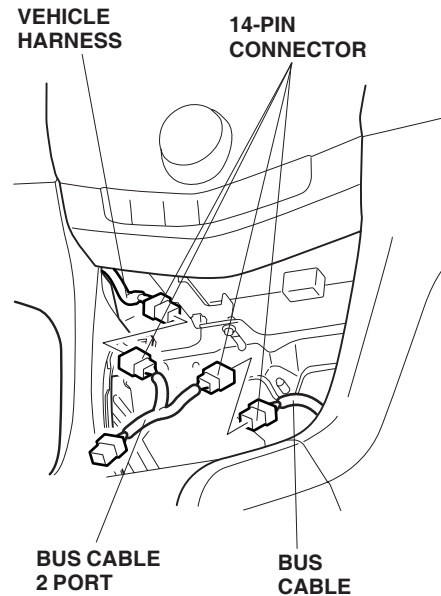


**Without Navigation System**

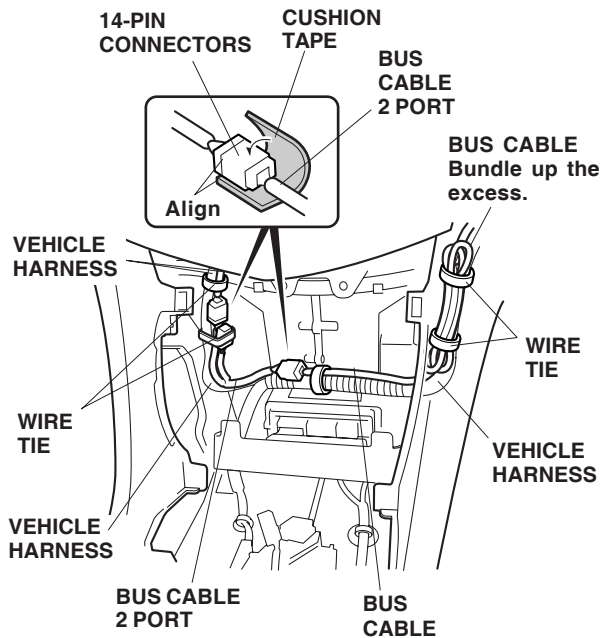
- Remove the tape from the vehicle harness, and pull the harness out through.



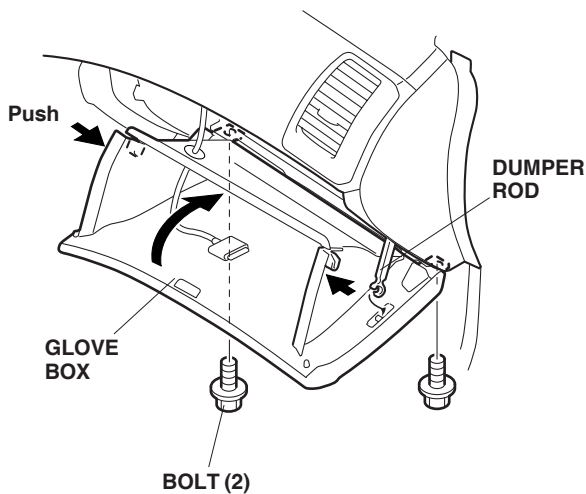
- Plug the BUS cable 2 port 14-pin connector into the vehicle 14-pin connector.
- Plug the BUS cable 14-pin connector to the BUS cable 2 port 14-pin connector.



- Attach a cushion tape to the BUS cable 2 port 14-pin connector. Secure the vehicle harness, BUS cable 2 port and BUS cable to the vehicle harness with the three wire ties.
- Bundle up the excess BUS cable, and secure them to the vehicle harness with two wire ties.



26. Reinstall the glove box.



27. Check that all wire harnesses are routed properly and all connectors are plugged in.
28. Reconnect the negative cable to the battery.
29. Enter the customer's radio anti-theft code, and reset the radio station presets, the clock.
30. Reinstall all removed parts.
31. Turn the radio unit ON. Set mode to Honda Music Link by pressing "CD" until display "CDC" or "CD4" is shown on the radio display. If "CD-C EJECT" is on the display, unit is in proper working orders.
32. When the battery was disconnected, enter the Honda Multi-matic feedback signal as described in the Service Manual.
 

NOTE: Whenever the battery is disconnected, the driver's AUTO function is disable.
33. Start the engine. Push down on the driver's window switch until the window is fully open.
34. Pull up on the driver's window switch fully to close the window completely, then hold the switch for 2 seconds or more.
35. Test the window AUTO function.