



INSTALLATION INSTRUCTIONS

Accessory
DOOR VISORS
P/N 08R04-SDA-100 (FRONT)
P/N 08R04-SDA-100A (REAR)

Application
**2006 ACCORD
4-DOOR**

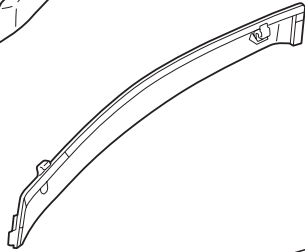
Publications No.
All 30251
Issue Date
AUG 2005

PARTS LIST

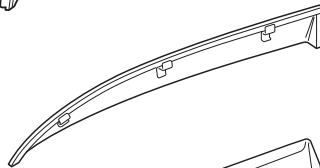
Door visor (left front)



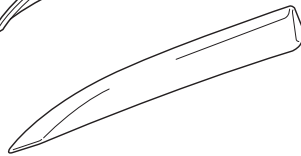
Door visor (right front)



Door visor (left rear)



Door visor (right rear)



SUPPLIES REQUIRED

- Isopropyl alcohol
- Shop towel
- Masking tape
- Tape measure

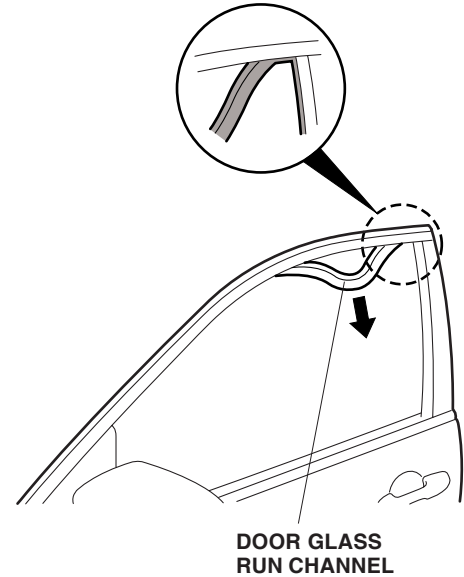
INSTALLATION

NOTE:

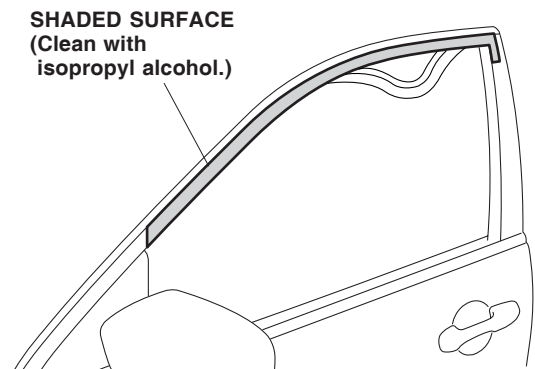
- These instructions show the left door visor being installed. The same procedure applies to installing the right door visor.
- Be careful not to damage the paint finish and glass run channels when installing the door visors.
- Handle the door visors with care. They are not designed to absorb shock or impact.
- This door visor kit should only be installed if the ambient air temperature is 60°F (15°C) or above.
- To allow the adhesive to cure, do not wash the vehicle for 24 hours.

Installing the Front Door Visor

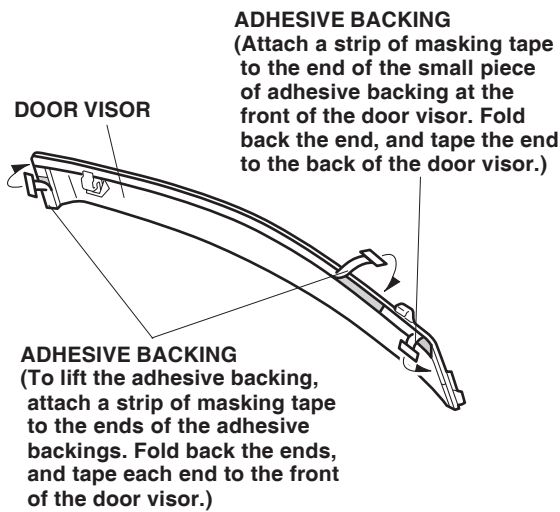
1. Lower the front door glass completely. Remove the door glass run channel from the door sash in the area shown.



2. Using isopropyl alcohol on a shop towel, clean the shaded area of the door sash.

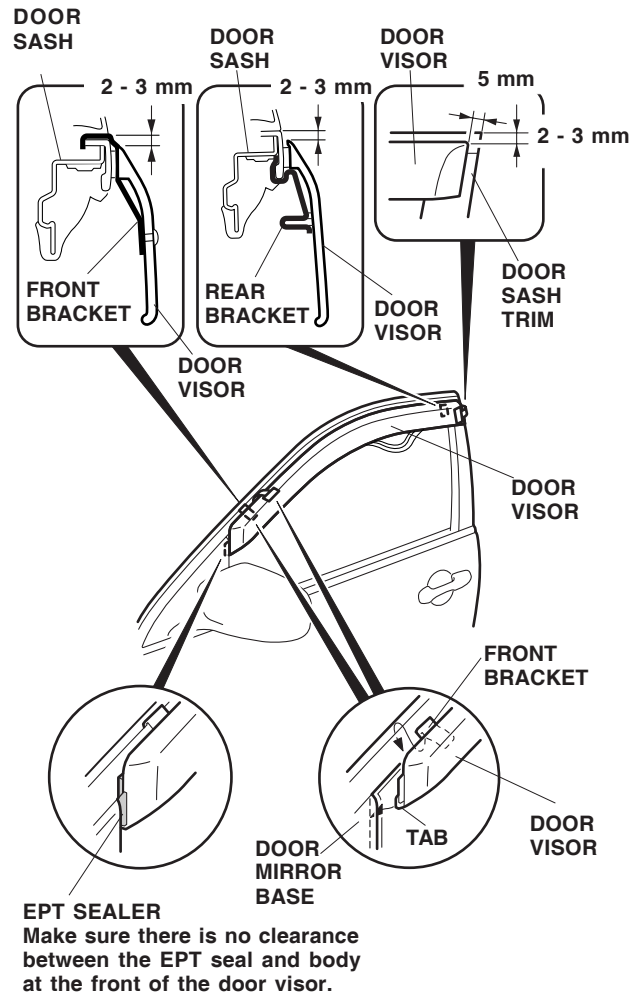


- Attach a strip of masking tape to the end of the small piece of adhesive backing at the front of the door visor. Fold back the end, and tape the end to the back of the door visor.



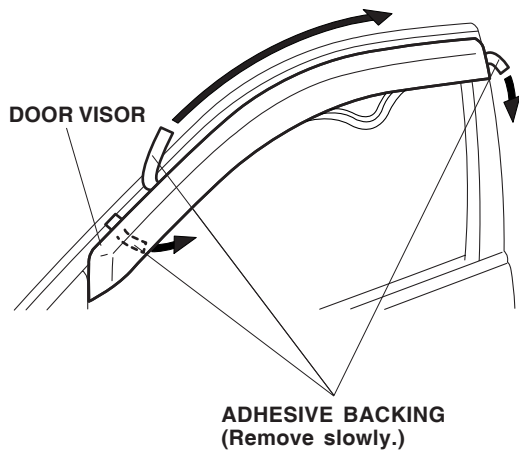
- Attach a strip of the masking tape to the ends of the remaining adhesive backing. Fold back the ends, and tape the ends to the front of the door visor.

- Attach the front bracket of the door visor to the door sash, and push the rear bracket on the door sash. Insert the front tab under the door mirror base.

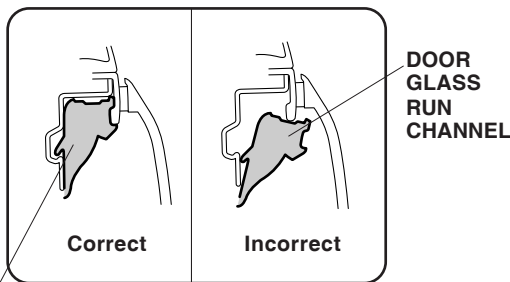
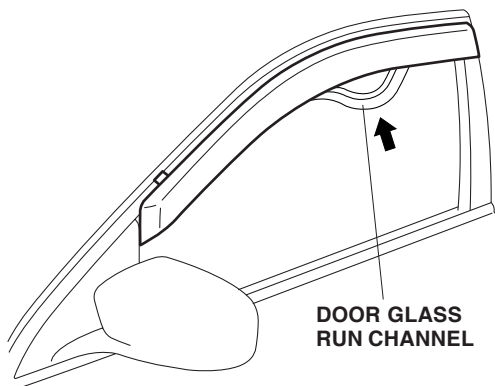


- Adjust the location of the door visor until the clearance between the door visor and the door sash trim is 5 mm at the rear of the door, with a 2 to 3 mm gap along the top edge of the door visor. There should be no clearance between the front tab and the door visor.
- Make sure there is no clearance between the EPT seal and body at the front of the door visor.

- While holding light pressure on the door visor, carefully remove the adhesive backing in the direction shown. Using the palm of your hand, hold the door visor firmly against the door for at least 30 seconds.



- Reinstall the door glass run channel. Make sure the run channel is seated properly.



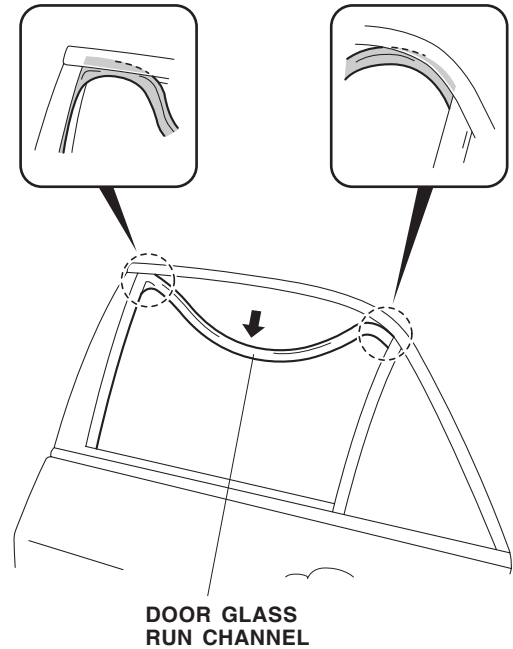
DOOR GLASS RUN CHANNEL

Sectional View

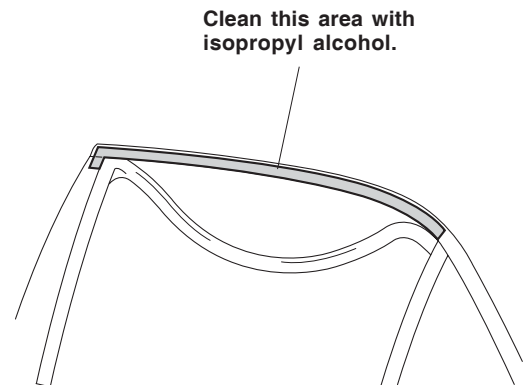
- Repeat steps 1 thru 9 to install the right door visor.

Installing the Rear Door Visor

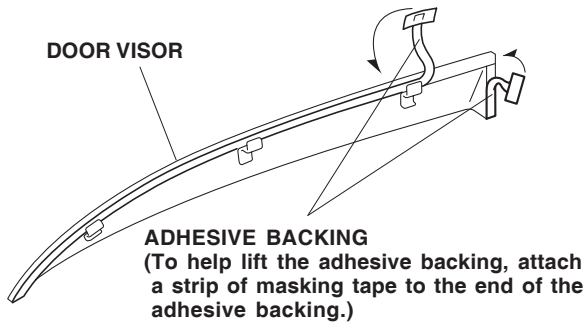
- Lower the rear door glass completely. Remove the door glass run channel from the door sash in the area shown.



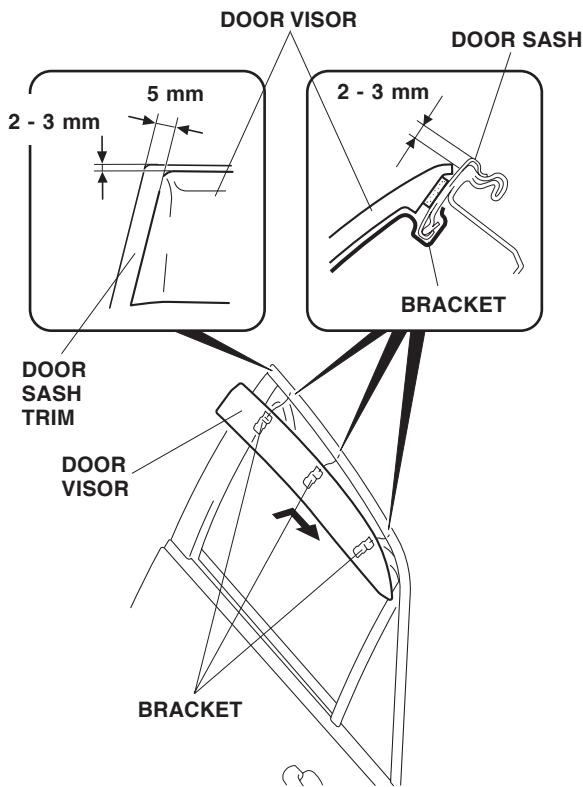
- Using isopropyl alcohol on a shop towel, clean the rear door in the area shown.



13. Remove 1 to 2 inches of adhesive backing from the door visor, fold the end back, and tape it to the front of the door visor with a strip of masking tape.

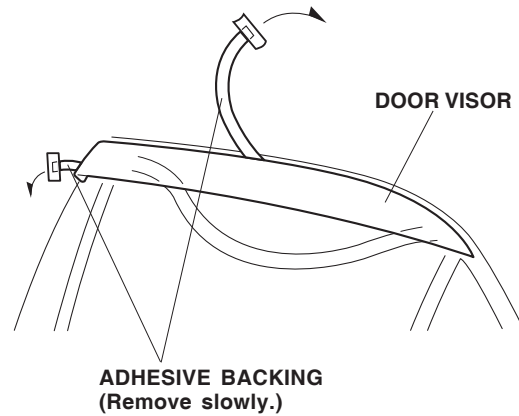


14. Push the three brackets of the door visor under the door sash.

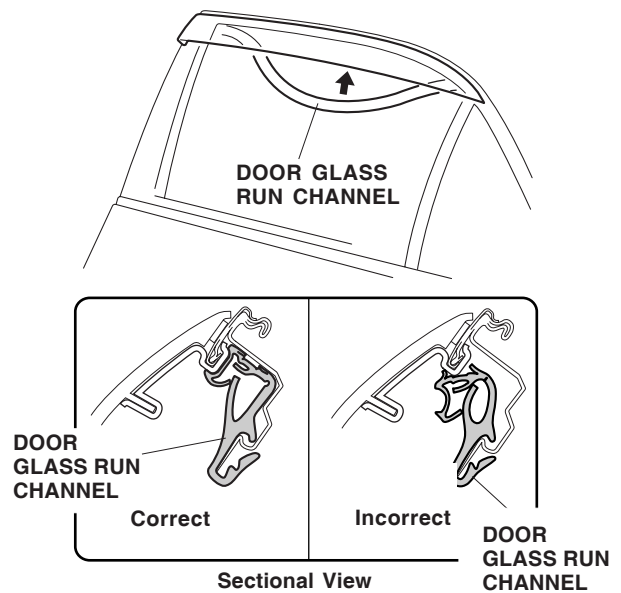


15. Adjust the location of the door visor until the clearance between the door visor and door sash trim is 5 mm at the front of the door, and a 2 to 3 mm gap along the top edge of the door visor. There should be no clearance between the front tab and the door visor.

16. While holding light pressure on the door visor, carefully remove each adhesive backing in the direction as shown. Using the palm of your hand, hold the door visor firmly against the door for 30 seconds or more.



17. Reinstall the door glass run channel. Make sure the run channel is seated properly.



18. Repeat steps 11 thru 17 to install the right rear door visor.

19. Raise and lower all the windows several times to seat the glass run channels.

USE AND CARE

- To clean the door visor, wipe it with a soft cloth dampened with clean water.
- To remove dust and dirt, clean with a solution of liquid dishwashing soap and water using a soft cloth or chamois. Never use organic solvents such as thinner, benzine, alcohol, etc., or cleaners containing these compounds.