



# INSTALLATION INSTRUCTIONS

Accessory  
**SECURITY SYSTEM (LX)**

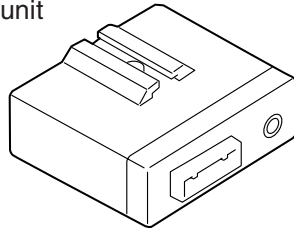
Application  
**2005 PILOT**

Publications No.  
**All 28013**  
Issue Date  
**SEP 2004**

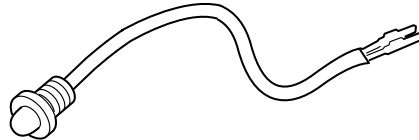
## PARTS LIST

**Security System Kit (sold separately)**  
**P/N 08E51-EP4-101**

Security system control unit



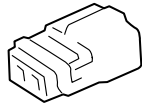
LED



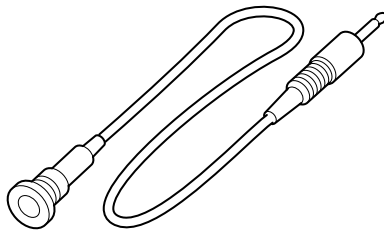
Push nut



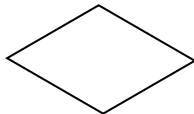
2-pin connector (for LED)



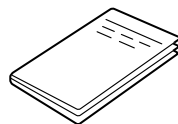
Microphone



Window decal

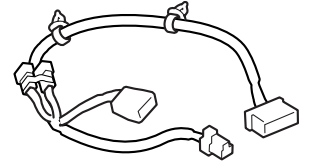


Owner's Manual

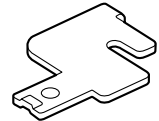


**Attachment Kit (sold separately)**  
**P/N 08E55-S9V-101**

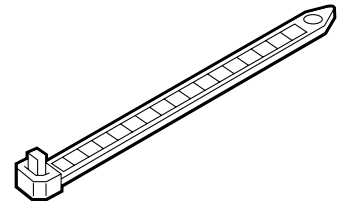
Security system harness



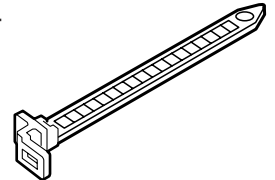
Control unit bracket



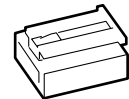
8 Wire ties



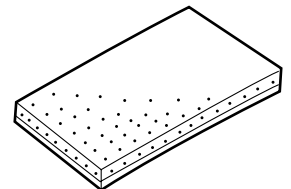
Wire tie with connector holder



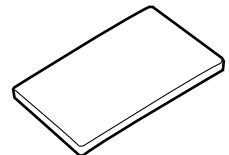
Holder bracket



2 EPT sealers



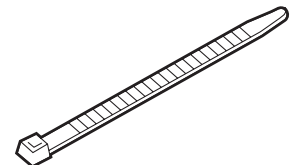
Cushion tape



Flange bolt



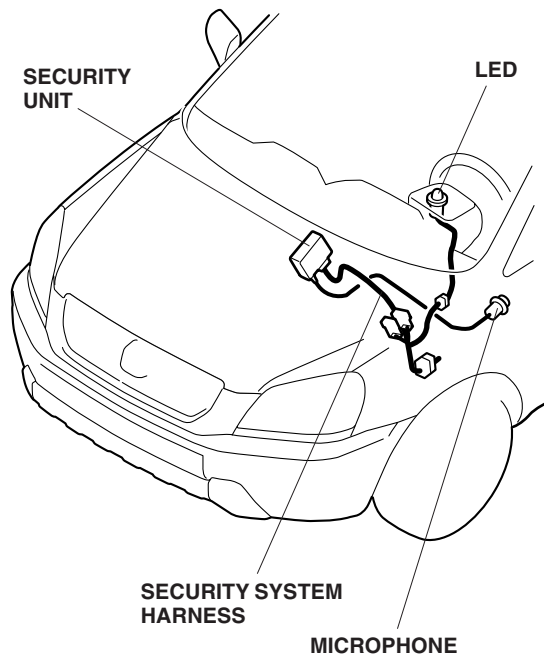
Small wire tie



## TOOLS AND SUPPLIES REQUIRED

Phillips screwdriver  
Flat-tip screwdriver  
8 mm and 10 mm Combination wrenches  
Ratchet  
10 mm Socket  
Diagonal cutters  
Punch  
Round file  
Felt-tip pen  
Isopropyl alcohol  
Shop towel  
Drill  
3 mm, 5.5 mm, and 8 mm Drill bits  
Tape measure  
Eye protection (face shield, safety goggles, etc.)

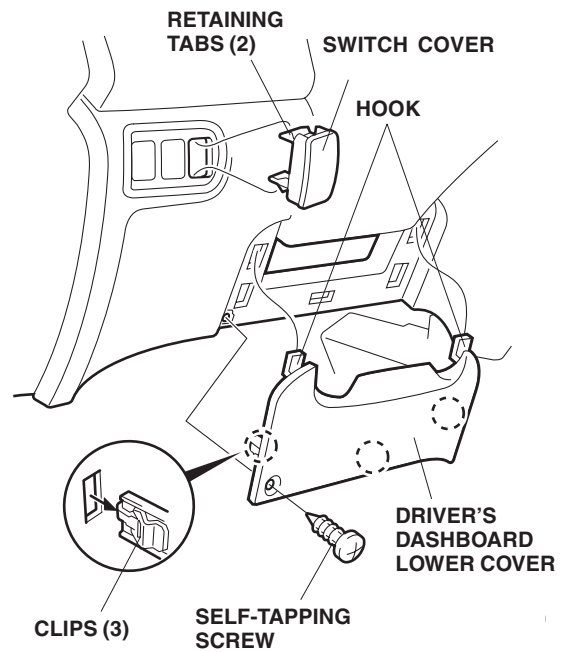
## Illustration of Security System installed on the Vehicle



## INSTALLATION

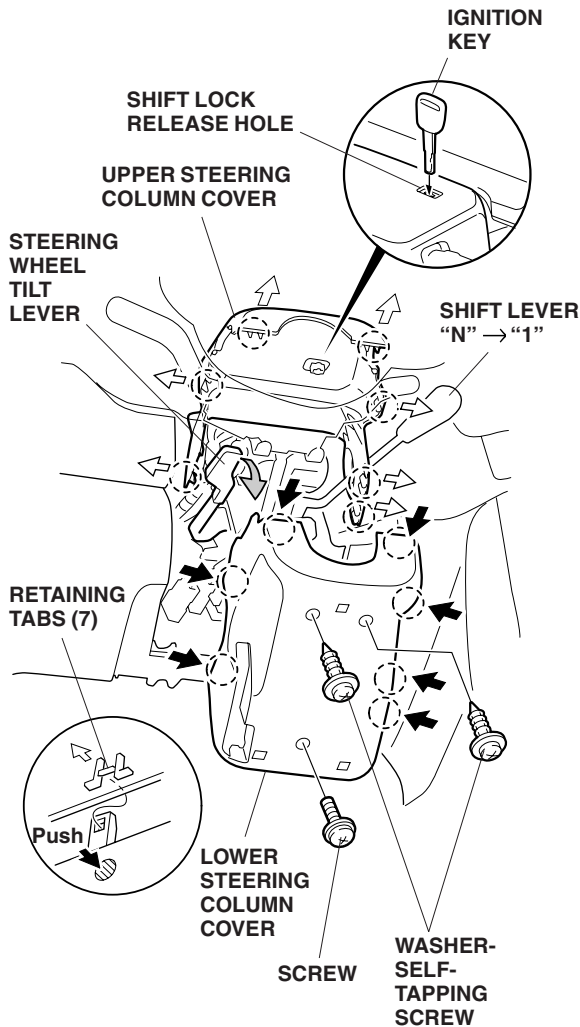
**Customer Information:** The information in this installation instruction is intended for use only by skilled technicians who have the proper tools, equipment, and training to correctly and safely add equipment to your vehicle. These procedures should not be attempted by “do-it-yourselfers.”

1. Make sure you have the anti-theft code for the radio, then write down the frequencies for the radio station preset buttons.
2. Disconnect the negative cable from the battery.
3. Remove the driver's dashboard lower cover (one self-tapping screw, three clips, and two hooks).

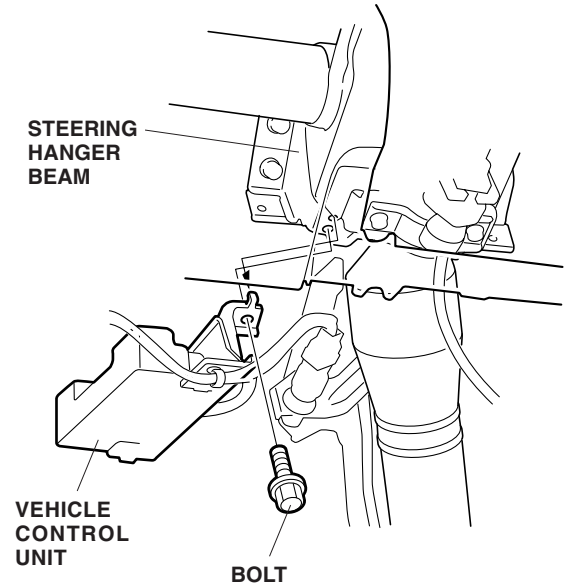


4. Remove the switch cover (two retaining tabs).

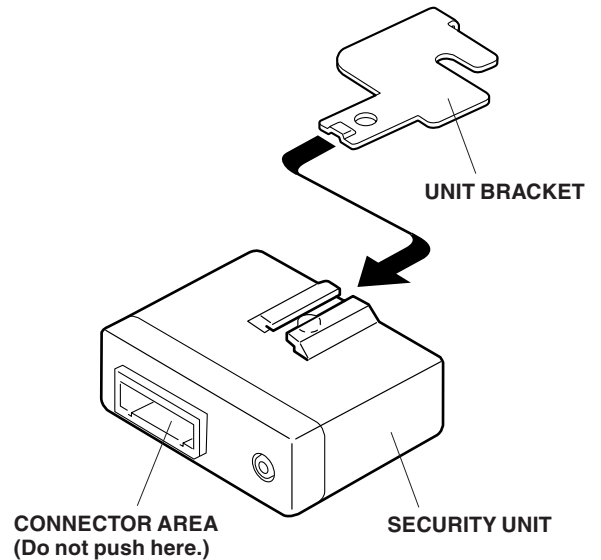
5. Lower the steering wheel using the tilt lever, then remove the upper and lower steering column covers (two washer-self-tapping screws and one screw):
  - Remove the three self-tapping screws.
  - Carefully pry up on the seven retaining tabs to remove the lower steering column cover.
  - Insert the ignition key in the shift lock release hole, and move the shift lever to the "N" position while pressing down on the key.
  - Remove the key, then lift the upper steering column cover. Pull the cover out toward you, and remove it by lowering the shift lever to the "1" position.



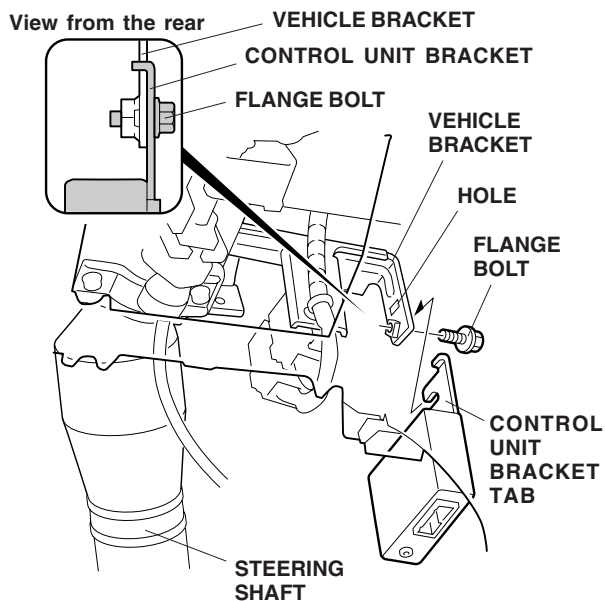
6. Remove the bolt from the steering hanger beam, and remove the vehicle control unit.



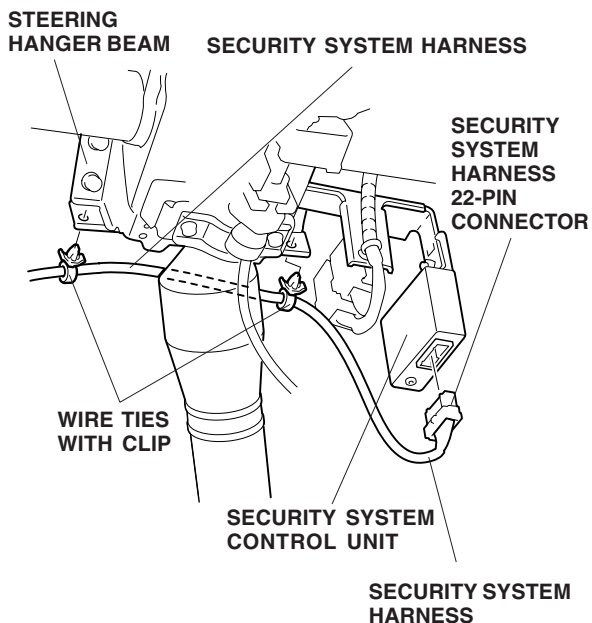
7. Slide the control unit bracket onto the security system control unit. Do not push by the connector area.



- Loosely install the flange bolt to the vehicle bracket at the right side of the steering shaft.

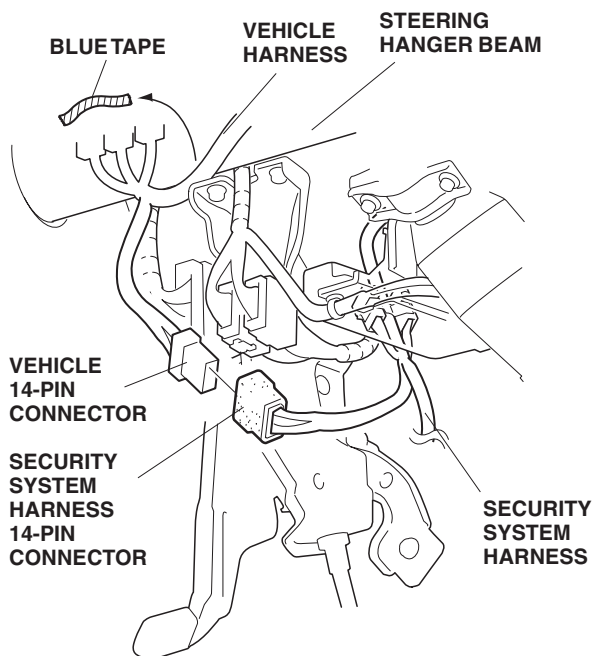


- Attach the control unit bracket onto the flange bolt. Align the tab from the control unit bracket with the hole in the vehicle bracket, and tighten the flange bolt.
- Install the two wire ties with clip from the security system harness into the holes in the steering hanger beam.

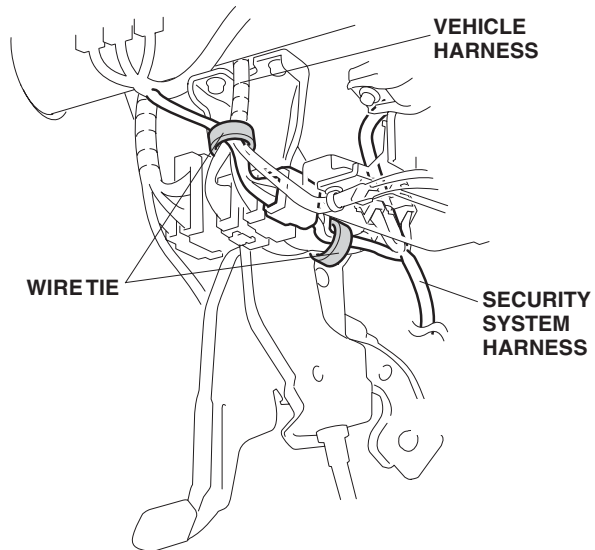


- Plug the security system harness 22-pin connector into the security system control unit.
- Reinstall the vehicle control unit removed in step 6.

- Above the parking brake pedal bracket, locate the 14-pin connector blue-taped to the vehicle harness. Remove the blue tape to free the connector. Plug the security system harness 14-pin connector into the 14-pin connector you just freed.

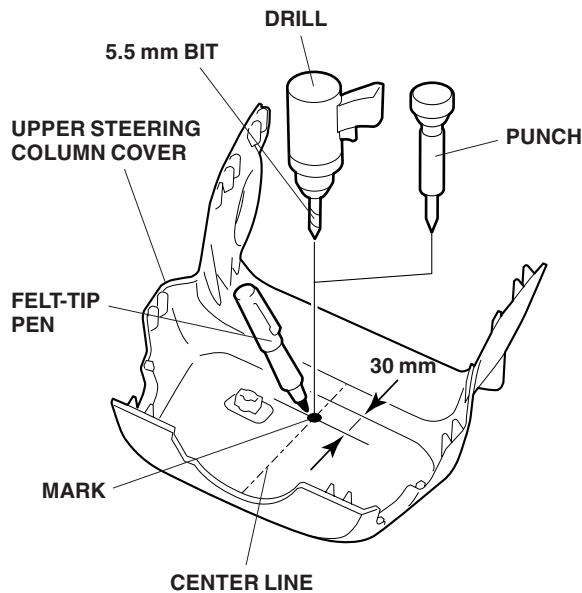


- Attach the security system harness 14-pin connector to the vehicle harness with one wire tie.



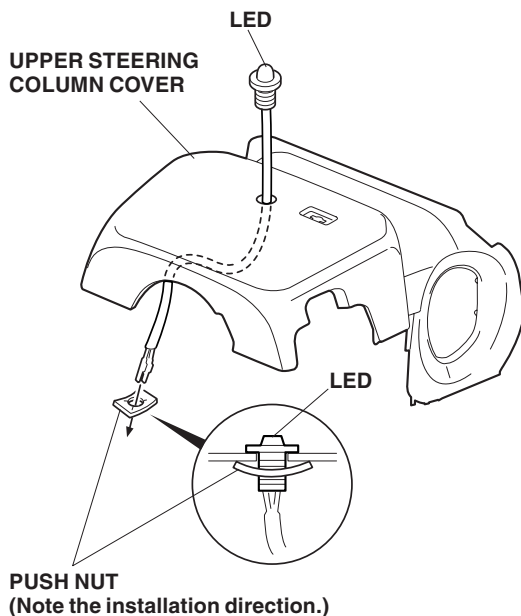
## Installing the LED

- On the inside of the upper steering column cover, measure and mark the column cover shown at the location.

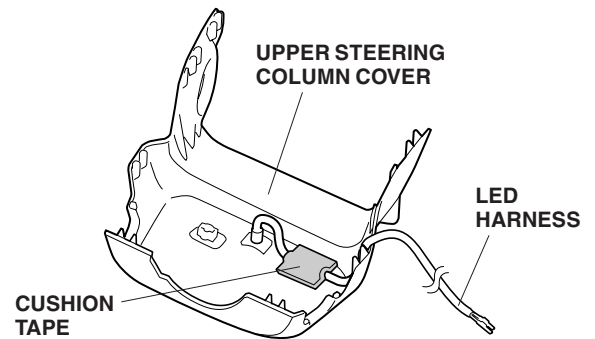


3D08160T

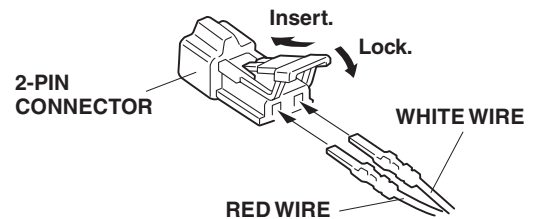
- While wearing eye protection, lightly center-punch the mark; then drill a 5.5 mm hole through the upper steering column cover. Remove all burrs with a round file.
- Route the terminal ends from the LED through the hole you just drilled, and secure the LED with the push nut. Install the push nut securely.



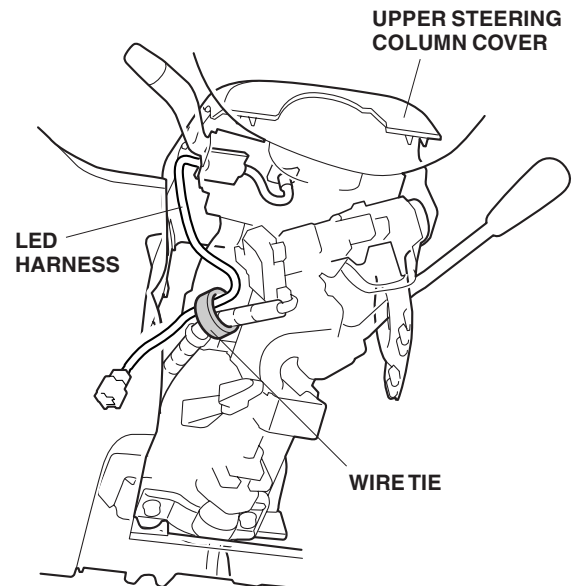
- Using the isopropyl alcohol on a shop towel, clean the back of the upper steering column cover in the area shown. Secure the LED harness to the upper steering column cover with one cushion tape.



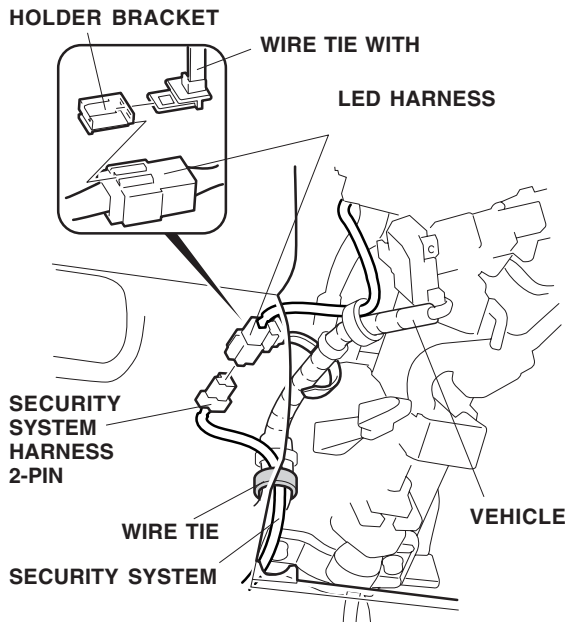
- Get the 2-pin connector included in the kit. Firmly push the LED terminals into the 2-pin connector until they click into position, then push down the lock.



- Reinstall the upper steering column cover, secure the LED harness to the vehicle harness with one wire tie.



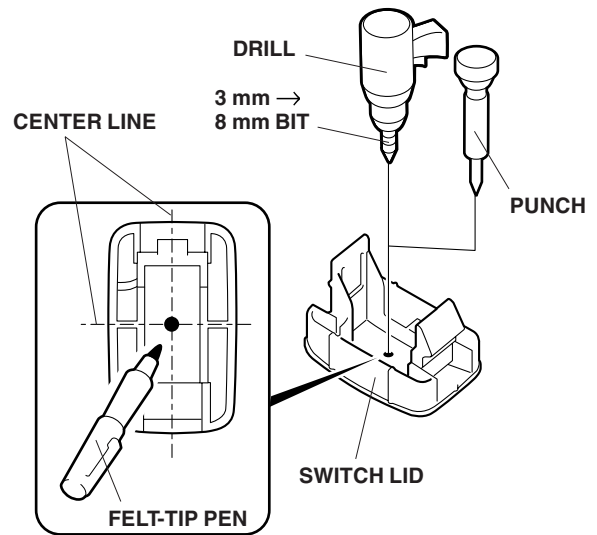
- Route the security system 2-pin connector along the vehicle harness, and plug it into the LED harness 2-pin connector.



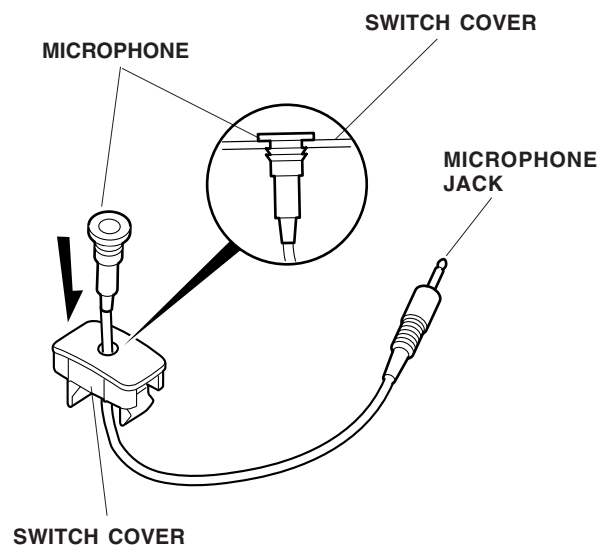
- Insert the holder bracket onto the LED harness 2-pin connector and insert the wire tie with connector holder into the holder bracket.
- Secure the LED harness and the security system harness to the vehicle harness with the wire tie with connector holder and one additional wire tie.
- Reinstall the lower steering column cover.

### Installing the Microphone

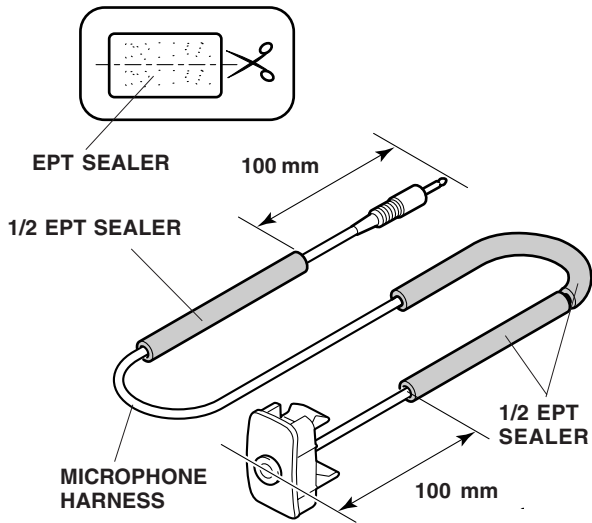
- Measure and mark the center of the switch cover removed in step 3.



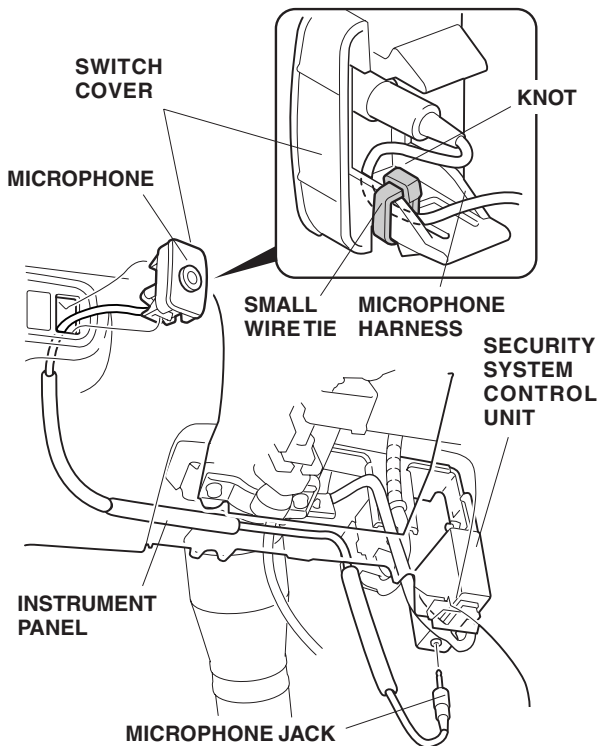
- While wearing eye protection, lightly center-punch the mark; then drill an 8 mm hole through the center-punched mark with a round file. Remove all burrs. First, drill a pilot hole with a 3 mm bit, then finish with a 8 mm bit.
- Route the microphone jack through the hole in the switch cover, and seat the microphone in the switch cover.



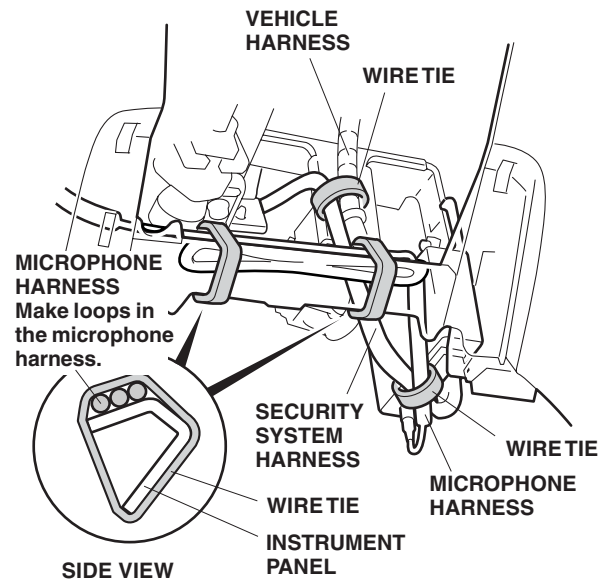
28. Cut two EPT sealers in half. Wrap the cut pieces of the EPT sealer around the microphone harness at the locations shown.



29. Reinstall the switch cover.
30. Route the microphone jack along the instrument panel, and plug it into the security system control unit.



31. Secure the microphone harness to the security system harness with one wire tie.



32. Secure the microphone harness to the instrument panel with two wire ties.
33. Secure the security system harness to the vehicle harness with one wire tie.
34. Check that all wire harnesses and cables are routed properly, and all connectors are plugged in.
35. Reconnect the negative cable to the battery.
36. Enter the customer's radio anti-theft code, and reset the radio station presets.
37. Set the clock.
38. Check operation of the security system according to the Owner's Manual supplied.
- NOTE: Whenever the battery is disconnected, the driver's window AUTO function is disabled.
39. Start the engine. Push down on the driver's window switch until the window is fully open.
40. Pull up on the driver's window switch to close the window completely, then hold the switch for 2 seconds.
41. Lower and raise the driver's window to check operation of the driver's window AUTO function.