



INSTALLATION INSTRUCTIONS

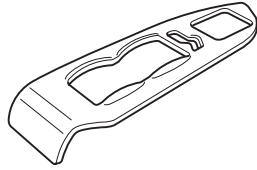
Accessory
**WOOD-LOOK TRIM KIT
INTERIOR TRIM
P/N 08Z03-S9V-100A**

Application
2005 PILOT

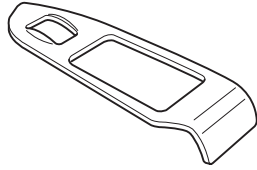
Publications No.
All 28080
Issue Date
SEP 2004

PARTS LIST

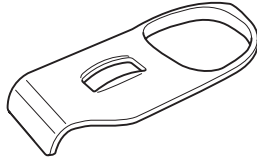
Driver's front door
switch trim



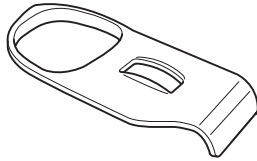
Passenger's front door
switch trim



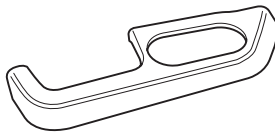
Driver's side rear
door switch trim



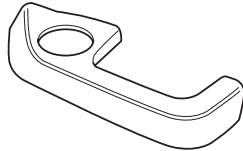
Passenger's side rear
door switch trim



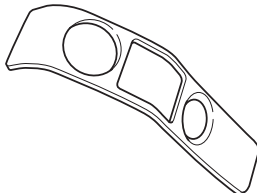
Driver's rear side
switch trim



Passenger's rear side
switch trim



Console trim



SUPPLIES REQUIRED

Isopropyl alcohol
Shop towel
Masking tape

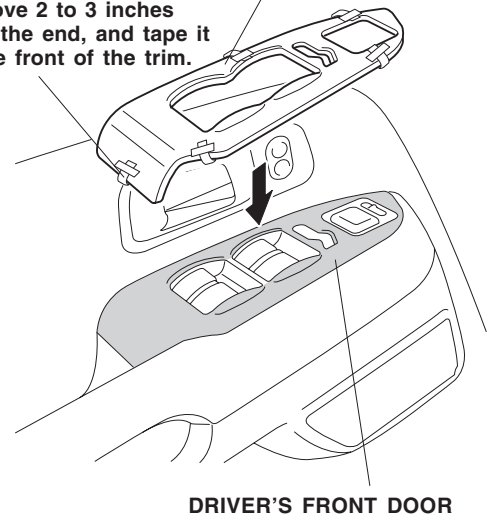
INSTALLATION

NOTE: This wood trim kit should be installed only if the outside air temperature is 60°F (15°C) or above.

1. Using isopropyl alcohol on a shop towel, thoroughly clean the areas where the wood-grain trims will attach.
2. Attach a strip of masking tape to the end of each outer adhesive backing, and remove 2 to 3 inches of the adhesive backing. Fold the ends back, and tape them to the front of the trims. If necessary, remove and discard the inner adhesive backings.
3. Position the trims on the existing panels. While applying light pressure on the trims, carefully remove the adhesive backings.
4. After installing the trims, press the palm of your hand against the trims for 30 seconds.
5. Remove the plastic protector from each trim piece.

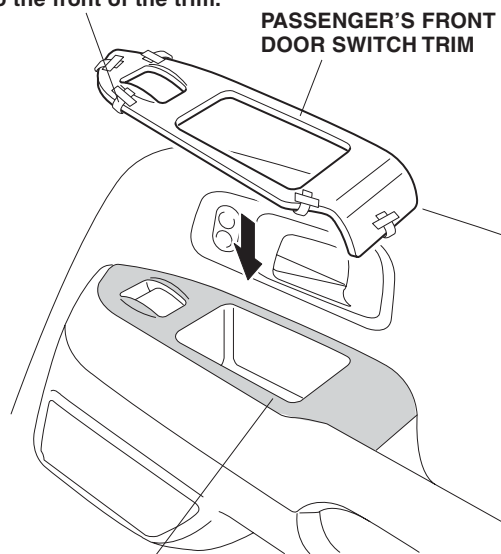
Left Front Switch Trim:

OUTER ADHESIVE BACKING
DRIVER'S FRONT DOOR SWITCH TRIM
Remove 2 to 3 inches from the end, and tape it to the front of the trim.



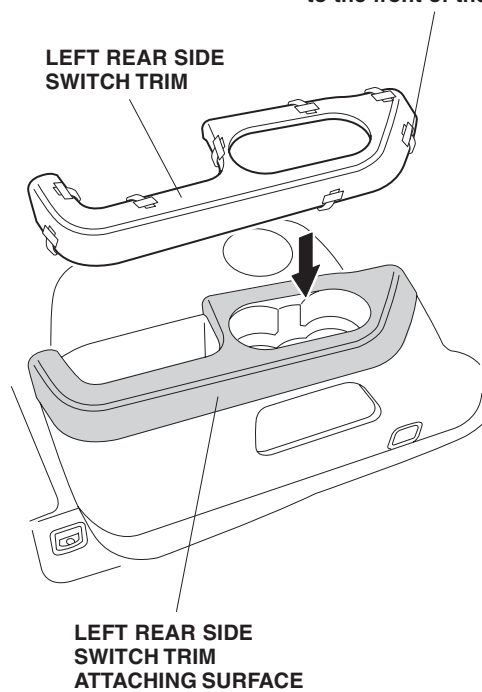
Right Front Switch Trim:

OUTER ADHESIVE BACKING
Remove 2 to 3 inches from the end, and tape it to the front of the trim.



Left Rear Side Switch Trim:

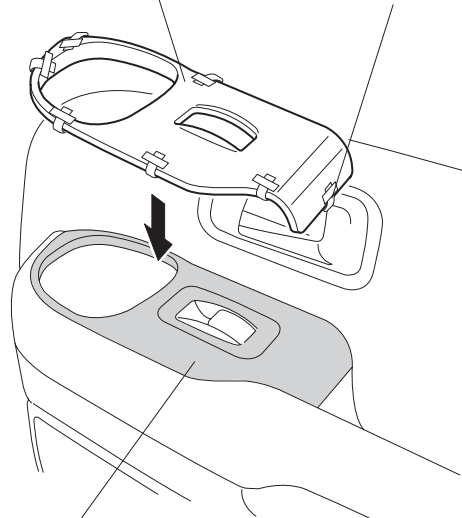
OUTER ADHESIVE BACKING
Remove 2 to 3 inches from the end and tape it to the front of the trim.



Right and Left Rear Door Switch Trims:

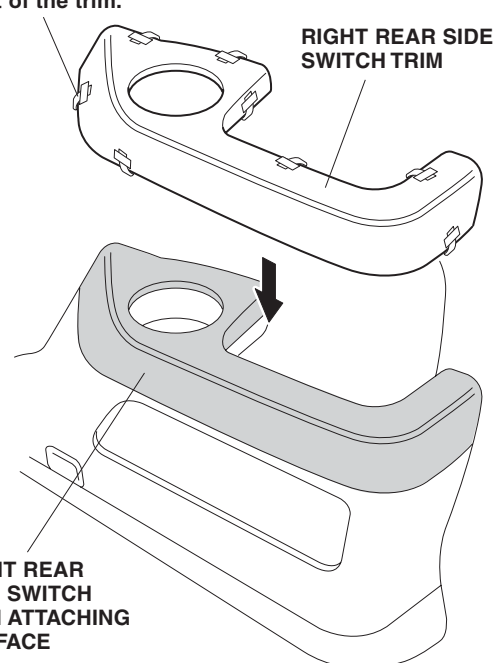
REAR DOOR SWITCH TRIM

OUTER ADHESIVE BACKING
Remove 2 to 3 inches from the end, and tape it to the front of the trim.

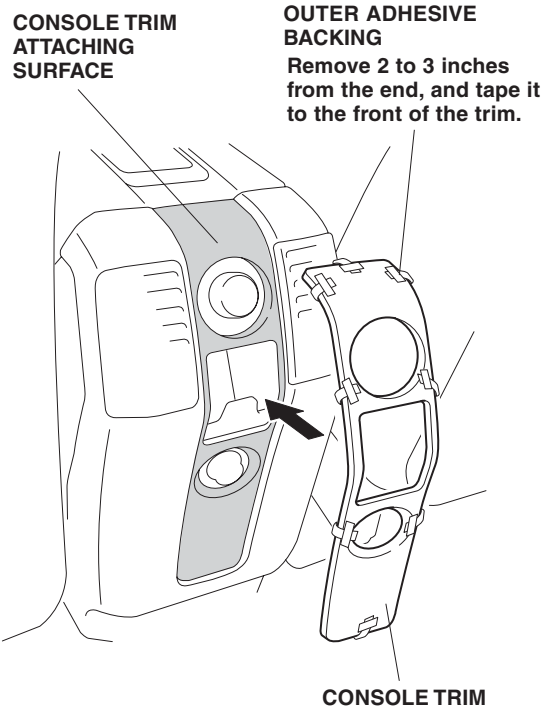


Right Rear Side Switch Trim:

OUTER ADHESIVE BACKING
Remove 2 to 3 inches from the end, and tape it to the front of the trim.



Console Trim:



USE AND CARE

Use a sponge or soft cloth dampened with mild detergent and water solution. After cleaning, wipe with a clean, soft cloth. Do not use cleaners or polishers containing compounds to clean the wood-grain trims as they may damage the surface.