



INSTALLATION INSTRUCTIONS

Accessory

FULL NOSE MASK
P/N 08P35-S9V-100A

Application

2005 PILOT

Publications No.

All 28058

Issue Date

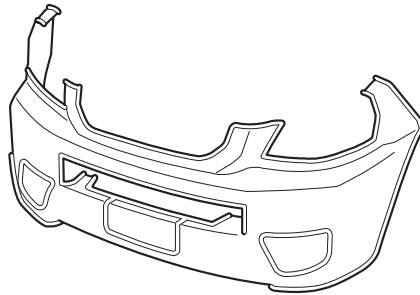
SEP 2004

Put this information in the glove box with the vehicle owner's manual.

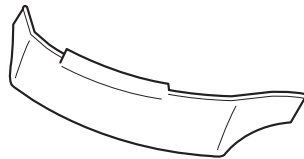
NOTE: The nose mask cannot be installed if the vehicle is equipped with front lower trim fender flares or an air deflector.

PARTS LIST

Mask
(bumper section)



Mask
(hood section)



2 Snap-screws



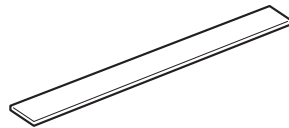
2 Washers



2 Fenderwell nuts



2 Plastic strips



TOOLS REQUIRED

Stubby #2 Phillips screwdriver

Clip remover

Scissors

INSTALLATION

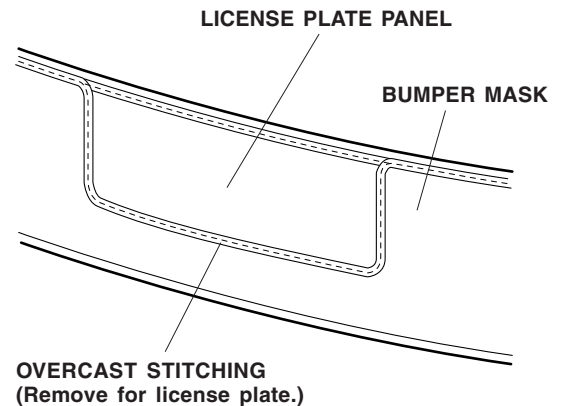
NOTE:

- Make sure the vehicle and the nose mask are clean and completely dry before installation. If moisture under the mask is allowed to dry, it may cloud the paint. If the mask gets wet, remove it and allow it to air-dry completely.
- Make sure any repainted surfaces are cured.
- Make sure the hood and nose of the vehicle have been waxed with a high-quality paste wax.
- Make sure you install the nose mask securely. If the nose mask starts to flap or comes loose while driving, safely pull off the highway, stop the vehicle, and secure or remove the mask.
- To install the nose mask on vehicles equipped with Honda accessory fog lights, remove the fog light covers from the mask, as described on page 4.

Displaying the License Plate

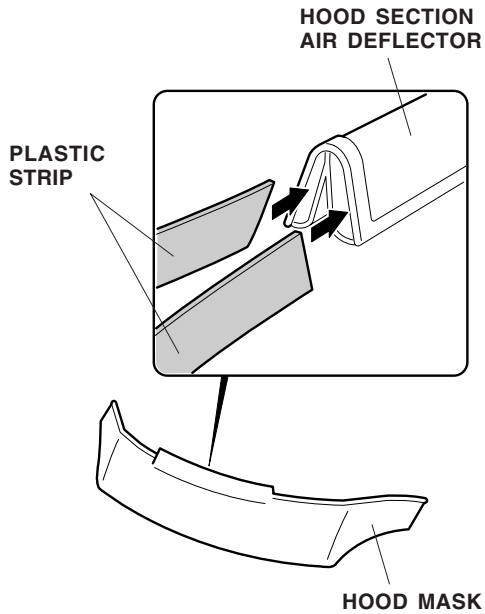
If your state law requires the display of both license plates, cut out the piece of the bumper section that covers the front license plate:

- Face the inside of the mask toward you.
- Carefully cut out the license plate panel with scissors at the top seam, and remove the overcast stitching.

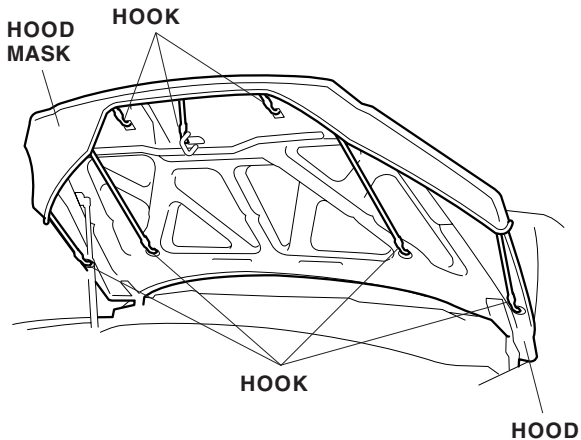


Installing the Hood Section

1. Insert the plastic strips into the pockets of the hood section air deflector.

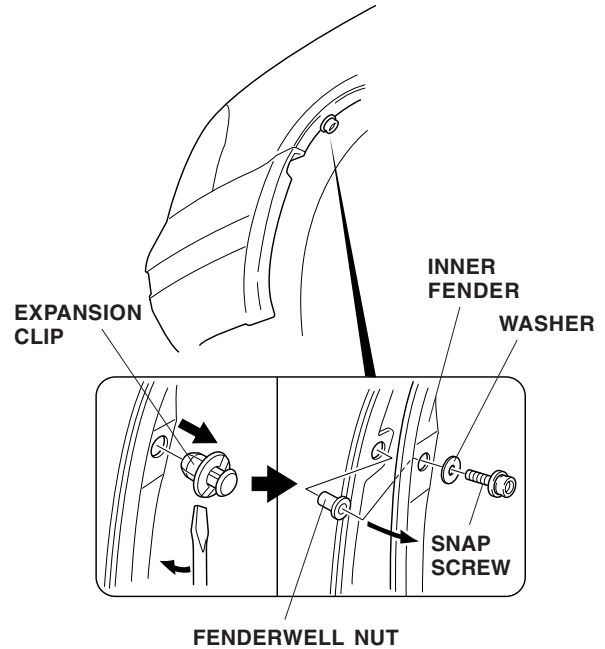


2. Open the hood, fit the corners of the hood section around the hood, and adjust the mask so it fits smoothly over the edges. Attach the seven hooks to the holes in the hood.



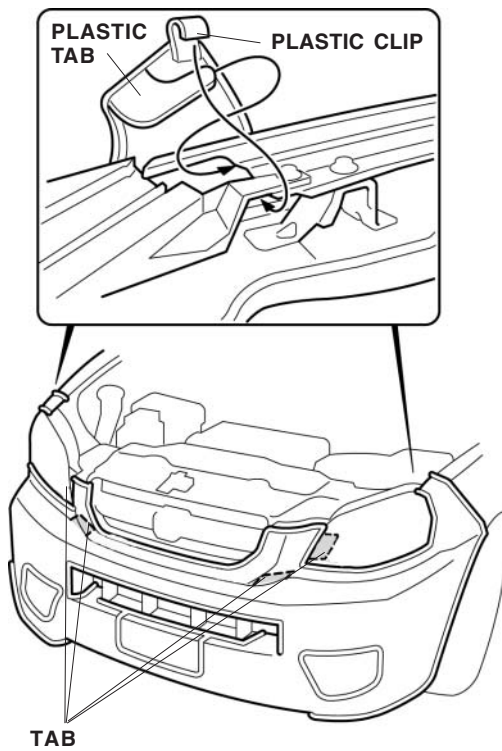
Installing the Bumper Section

3. Turn the steering wheel all the way clockwise.
4. Pry out the plastic pin, and remove the expansion clip that fastens the inner fender; remove and retain the clip, then clean the area around the hole.

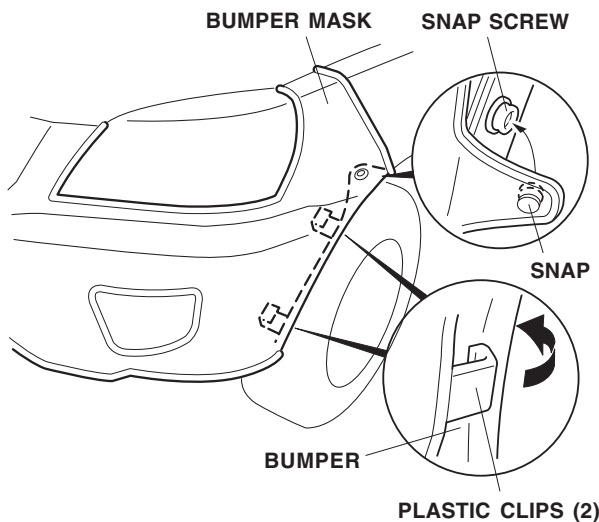


5. Pull the inner fender away, and press one fenderwell nut (supplied) into the hole in the fender flange.
6. With its washer in place, securely tighten one snap-screw into the fenderwell nut.
7. Turn the steering wheel all the way counterclockwise, and repeat steps 4 thru 6 on the other side of the vehicle.

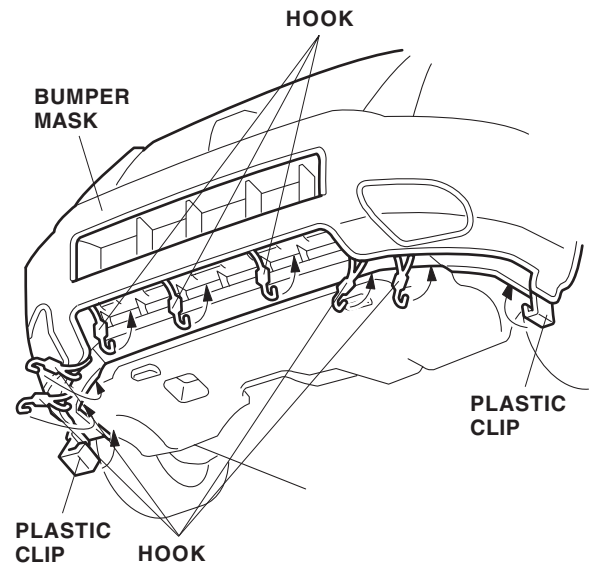
- Slide the plastic tab of the mask's fender section into the opening at the front corner of the fender, then attach the plastic clip to the top inside edge of the fender. Fit the mask across the bumper.



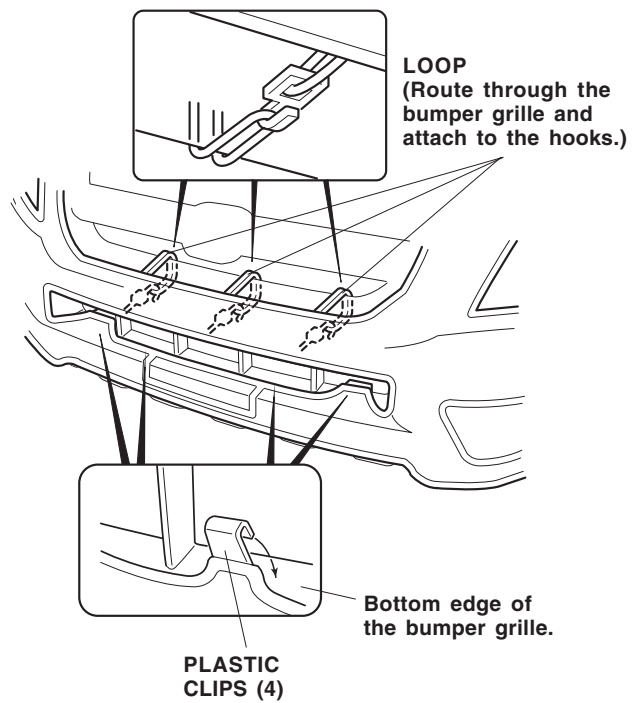
- Insert the two tabs between the headlight and the bumper, and insert the two tabs between the grille and the bumper.
- Pull the mask back toward the wheelwell, smooth out any wrinkles, and then snap the mask onto the snap-screw. Repeat on the other side.
- On both sides of the vehicle, attach the two plastic clips to the fenderwell.



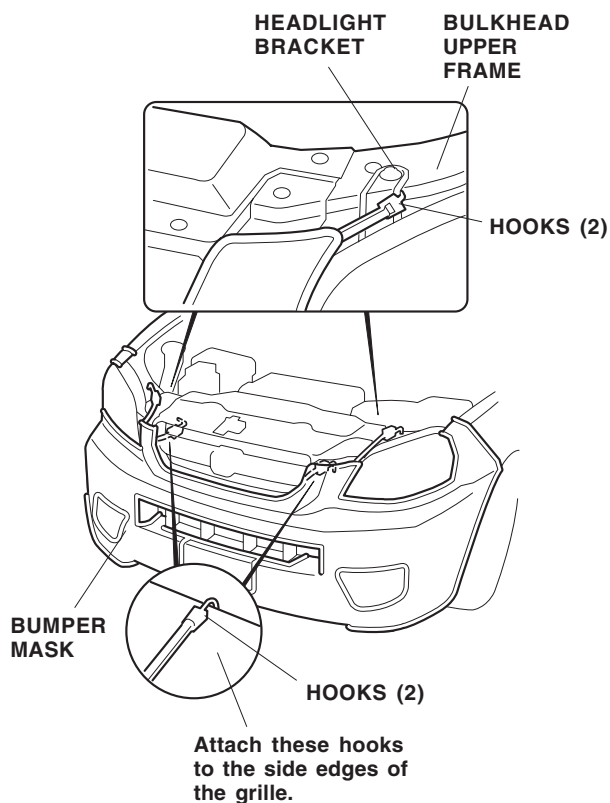
- Attach the two plastic clips and the four hooks to the bottom corners of the bumper.



- Attach the three hooks to the lower bumper grille.
- Route the three loops through the bumper grille and attach them to the three hooks through the lower grille opening. Attach the four plastic clips to the bottom edges of the bumper grille.



15. Attach the two hooks to the headlight brackets.



16. Attach the two hooks to the side edges of the front grille.

17. Put these instructions along with the plastic pins and expansion clips (removed in step 4) into the storage bag, and place it in the trunk for future use.

CLEANING THE NOSE MASK

Use a sponge or cloth and a solution of mild liquid dishwashing soap and water to clean the vinyl and the flannel backing. Rinse the mask completely with clean water, and hang it to dry, out of direct sunlight. Make sure the mask is completely dry before you reinstall it.

REMOVING THE FOG LIGHT COVERS

This procedure applies only on vehicles equipped with Honda accessory fog lights. Cut out the piece of the nose mask's bumper section that covers the fog lights:

- Face the inside of the mask toward you.
- Carefully cut out the fog light panels with scissors at the top seam, and remove the overcast stitching.

