



INSTALLATION INSTRUCTIONS

Accessory

TRUNK APRON
P/N 08P42-SD5-100

Application

2005 CIVIC
2- AND 4-DOOR

Publications No.

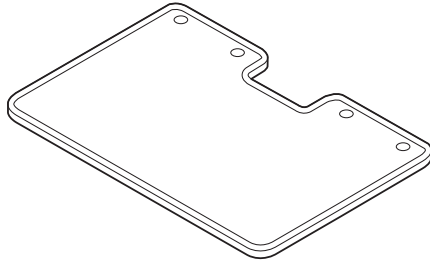
All 27878

Issue Date

AUG 2004

PARTS LIST

Trunk apron



4 Snap hooks



4 Flange nuts



8 Washers



TOOLS AND SUPPLIES REQUIRED

Clip remover

Eye protection (face shield, safety goggles, etc.)

Drill

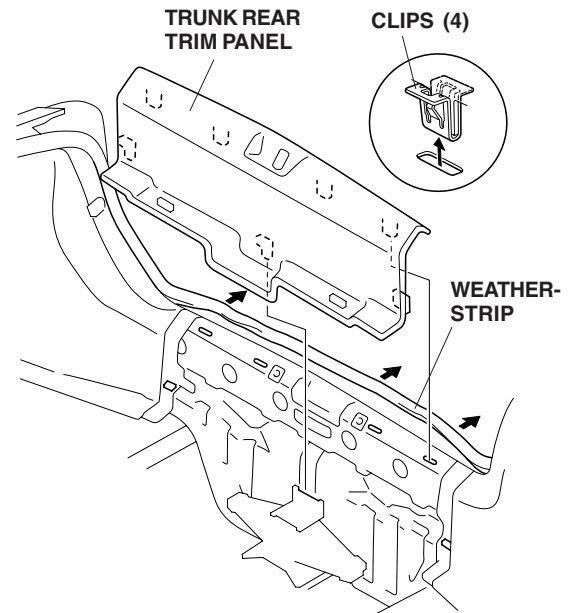
4 mm Drill bit

Tape measure

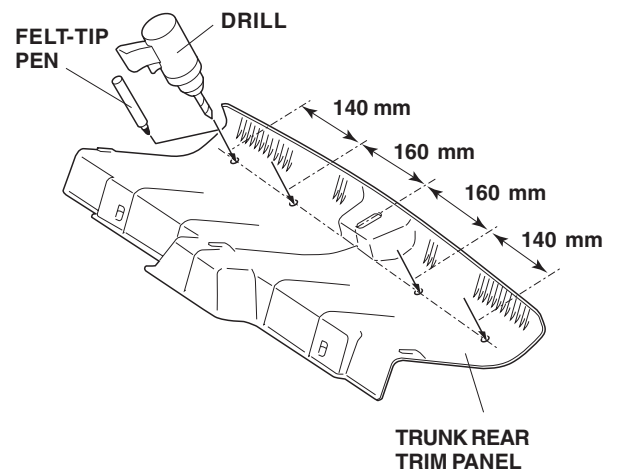
Felt-tip pen

INSTALLATION

1. Open the trunk.
2. While holding the trunk floor mat and trunk floor up, remove the trunk rear trim panel by removing the four clips.

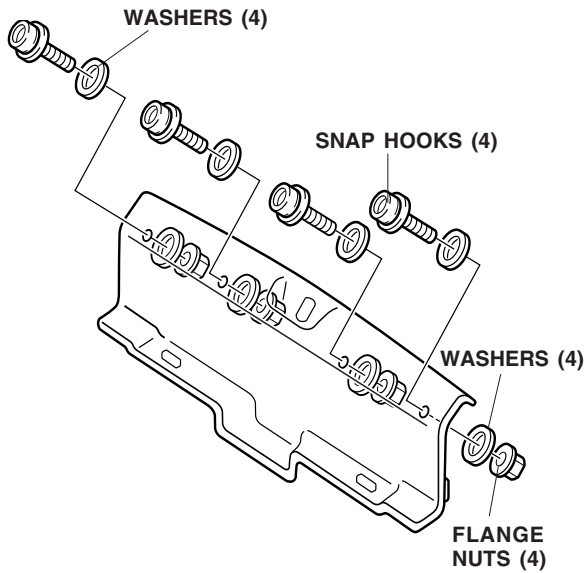


3. Using a tape measure, measure the rear trim panel, then mark it using the felt-tip pen.

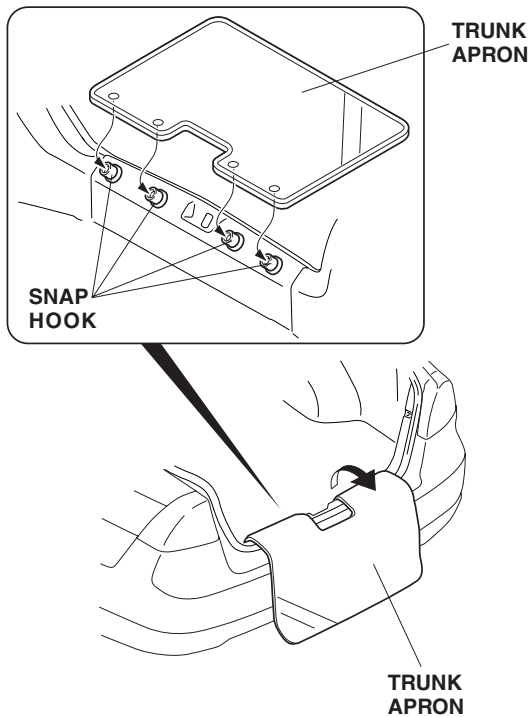


4. While wearing eye protection, drill a 4 mm hole through each of the four marks you made.

5. Install the four snap hooks and washers through the 4 mm holes, and install the four flange nuts. Tighten the snap hooks securely.



6. Reinstall the trunk rear trim panel.
7. To use the trunk apron, attach the snaps of the trunk apron to the snap hook on the trunk rear trim panel.



8. To store the trunk apron, flip the trunk apron into the trunk. Fold the trunk apron as shown, and secure it with the Velcro strips.

