

**INSTALLATION
INSTRUCTIONS**

Accessory

**CENTER PANEL/AIR OUTLET
TRIM KIT**

Application

**2005 CIVIC
2- AND 4-DOOR**

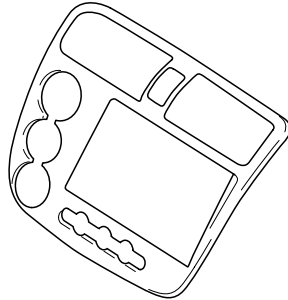
Publications No.

All 27872

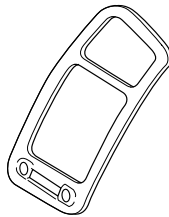
Issue Date

AUG 2004**PARTS LIST**

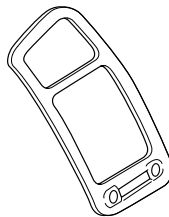
Center panel



Right air outlet trim



Left air outlet trim

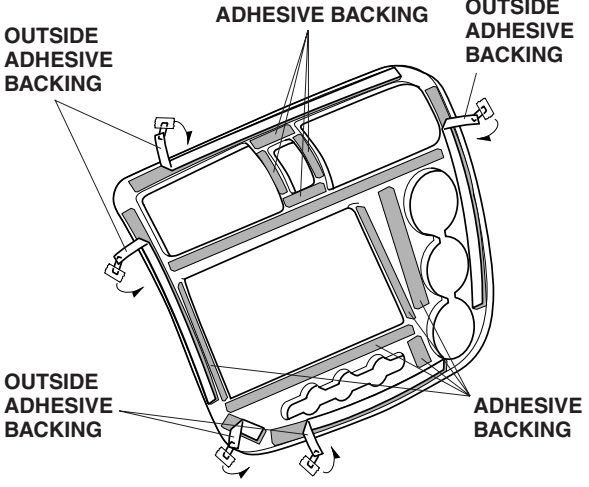
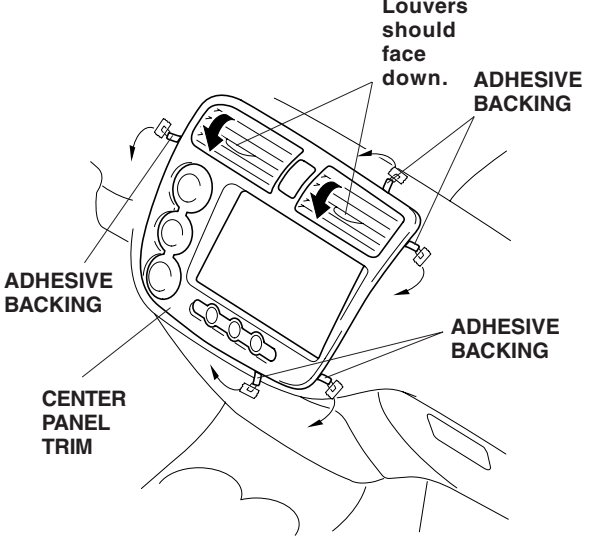
**SUPPLIES REQUIRED**

Isopropyl alcohol
Shop towel
Masking tape
Sponge

INSTALLATION

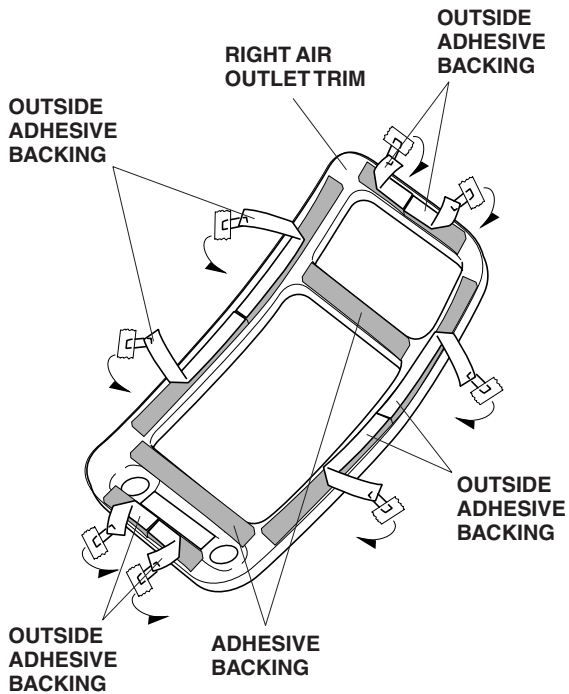
NOTE: This center panel/air outlet trim kit should be installed only if the ambient air temperature is 60°F (15°C) or above.

Installing the Center Panel Trim

- Using isopropyl alcohol, clean the area where the center panel will attach. Use a sponge to apply the isopropyl alcohol, and allow it to dry thoroughly before attaching the trim panel.
- Peel back the outside pieces from the adhesive backings, and attach them to the front of the center panel with masking tape.
 
- Remove the adhesive backing from all of the other locations.
- With the air duct outlet facing down, attach the center panel trim to the center panel.
 
- While holding light pressure against the center panel trim, carefully remove the adhesive backings. Using the palm of your hand, hold the center panel trim in place for at least 30 seconds, particularly at the edges.

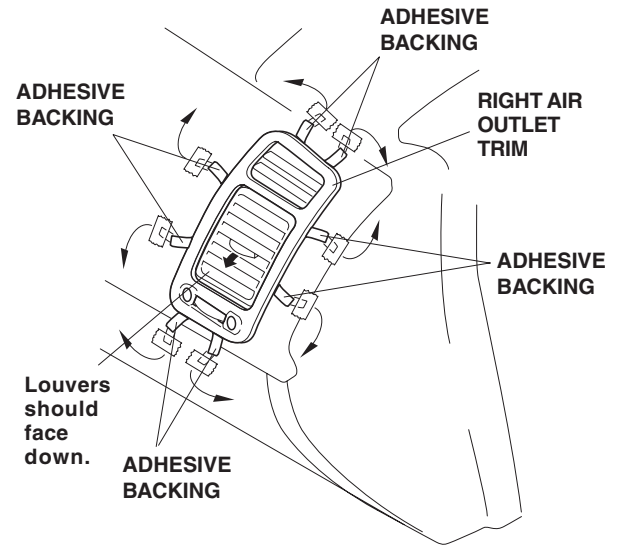
Installing the Air Outlet Trim

- Using isopropyl alcohol, clean the area where the right air duct outlet trim will attach. Use a sponge to apply the isopropyl alcohol, and allow it to dry thoroughly before attaching the outlet trim.
- Peel back the outside pieces from the adhesive backings, and attach them to the front of the air outlet trim with masking tape.



- Remove the adhesive backing from all of the other locations.

- With the air outlet trim louvers facing down, attach the air outlet trim to the air outlet.



- While holding light pressure against the air outlet trim, carefully remove the adhesive backings. Using the palm of your hand, hold the air outlet trim in place for at least 30 seconds, particularly at the edges.
- Repeat steps 6 through 10 to install the left air outlet trim.