



INSTALLATION INSTRUCTIONS

Accessory

REAR CUP HOLDER

Application

2005 CIVIC
2- AND 4-DOOR

Publications No.

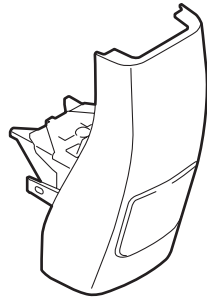
All 27874

Issue Date

AUG 2004

PARTS LIST

Rear cup holder



2 Washer-screws



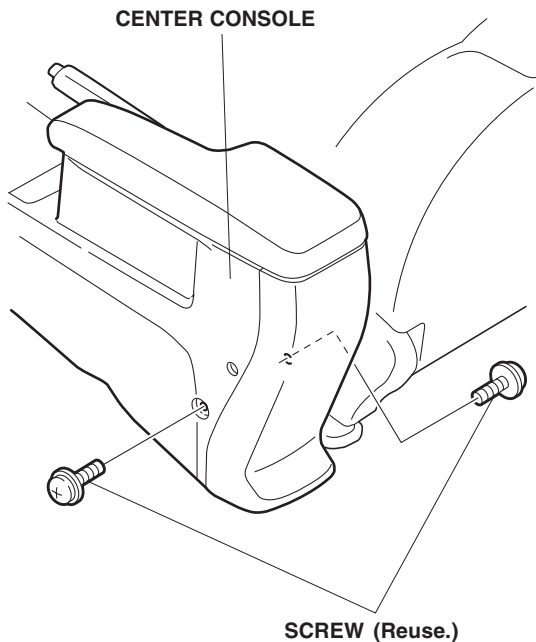
TOOLS REQUIRED

Phillips screwdriver

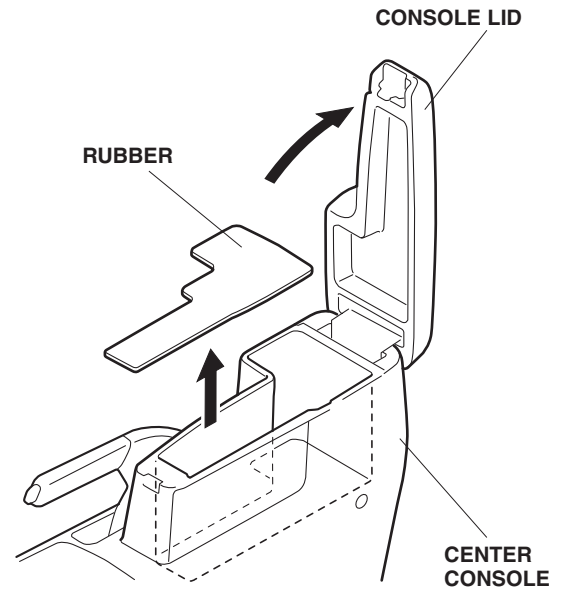
INSTALLATION

NOTE: Be careful not to damage the body paint finish.

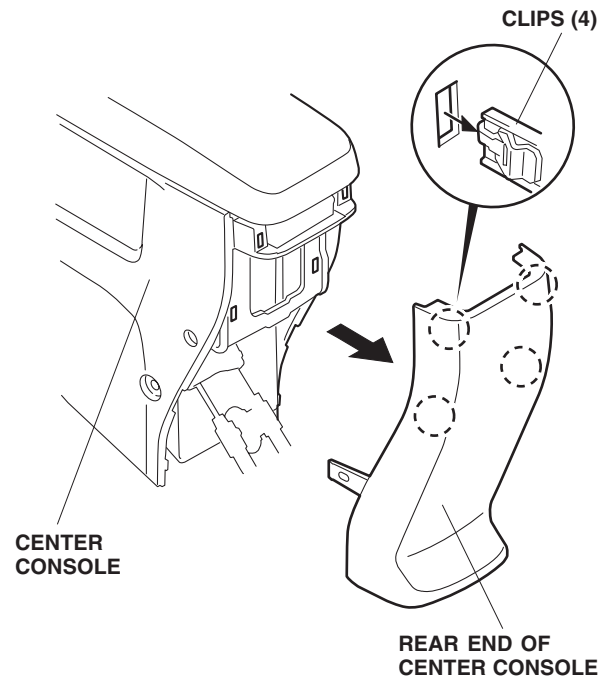
1. Remove and retain the two screws from the center console.



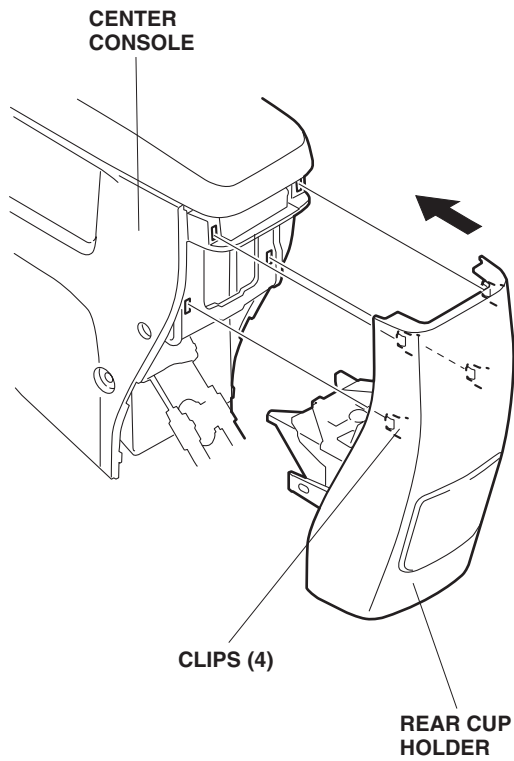
2. Open the console lid and remove the rubber from the center console.



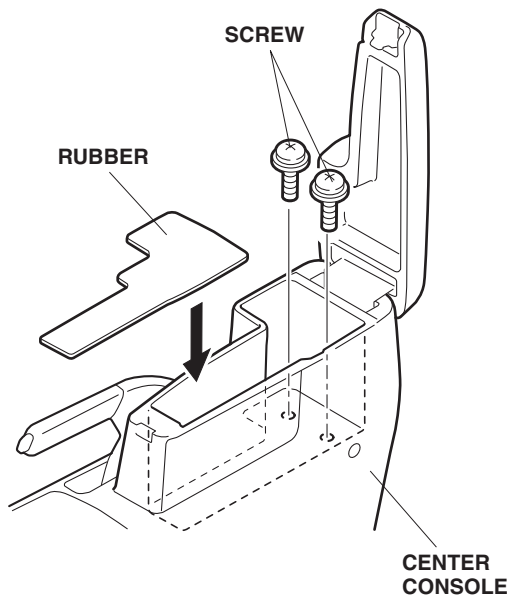
3. Pull the rear end of the center console toward you to release the four clips. Remove the rear end of the center console.



4. Position the rear cup holder on the center console and install it by inserting the four clips into the holes in the center console.



5. Open the console lid and install the two screws supplied. Reinstall the rubber removed in step 2 in the center console.



6. Reinstall the two screws you removed in step 1 to secure the rear cup holder to the center console.

