



# INSTALLATION INSTRUCTIONS

Accessory

IN-DASH CD CHANGER

Application

2005 CIVIC  
2- AND 4-DOOR

Publications No.

All 27871

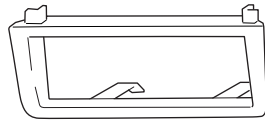
Issue Date

AUG 2004

## PARTS LIST

**In-Dash CD Changer Attachment (sold separately):**  
P/N 08B06-S5D-110

CD Changer trim

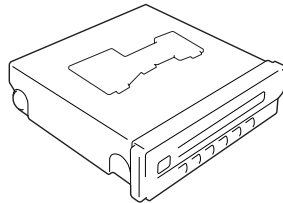


2 Cushions

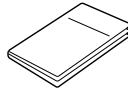


**In-Dash CD Changer (sold separately):**  
P/N 08A06-3B1-300

In-Dash CD changer



Owner's Manual



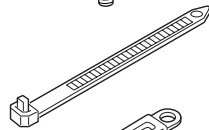
4 Washer-screws, 5 x 8 mm



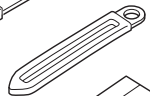
Washer-screw, 4 x 6 mm



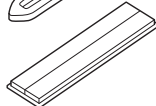
Wire tie (not used)



Harness clip



Rubber strips (not used)



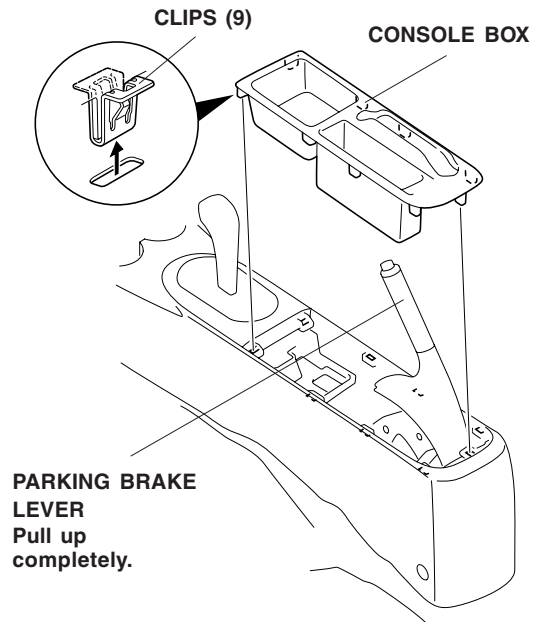
## TOOLS AND SUPPLIES REQUIRED

- Phillips screwdriver
- 8 mm and 10 mm Sockets
- Ratchet
- Shop towel
- Utility knife
- Scissors

## INSTALLATION

**Customer Information:** The information in this installation instruction is intended for use only by skilled technicians who have the proper tools, equipment, and training to correctly and safely add equipment to your vehicle. These procedures should not be attempted by "do-it-yourselfers."

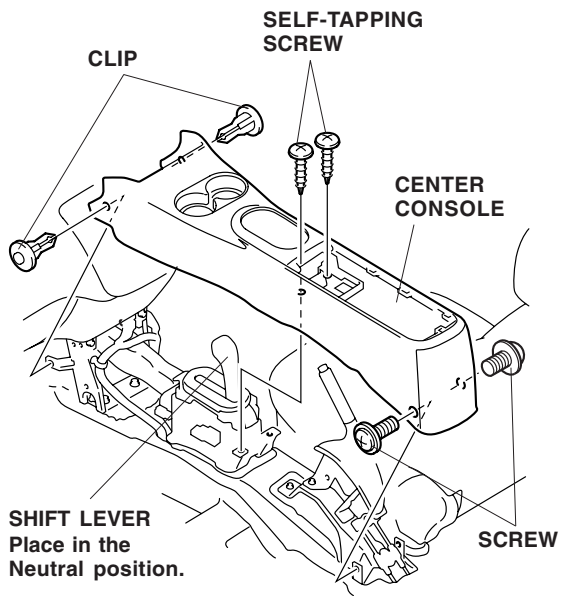
1. Make sure you have the anti-theft code for the radio, then write down the radio station presets.
  2. Disconnect the negative cable from the battery.
- If the vehicle is equipped with a center console armrest, go to step 6, otherwise; continue with step 3.*
3. Pull up on the parking brake lever, then remove the console box (nine clips).



4. Remove the center console.

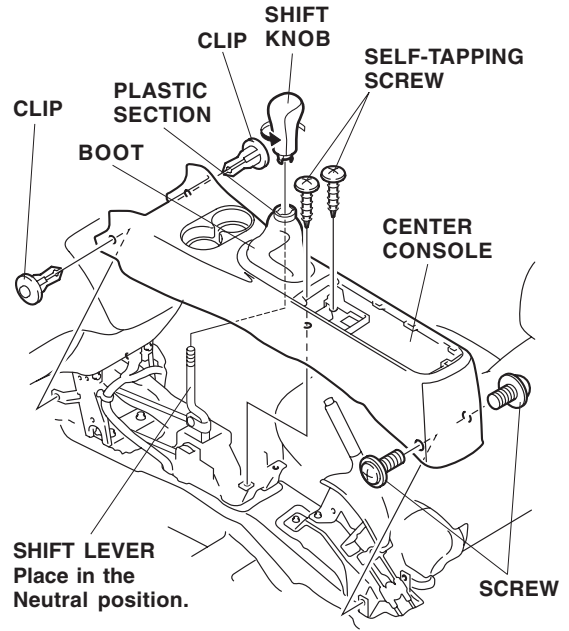
**A/T Model:**

- Place the shift lever in the Neutral position.
- Remove the two self-tapping screws, two screws and two clips that fasten the center console and remove the console
- If equipped with an optional seat armrest, remove the console after reclining the seat-back.



**M/T Model:**

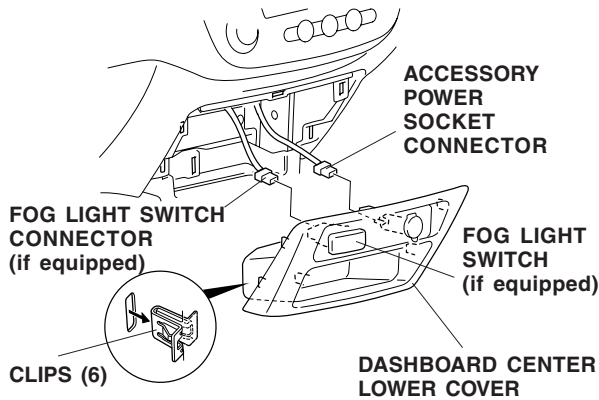
- Remove the shift knob from the lever by holding the plastic section above the boot down firmly with one hand and turning the knob in a counterclockwise with the other hand.
- Remove the two self-tapping screws, two screws, and two clips that fasten the center console and remove the console.



- Remove the dashboard center lower cover.

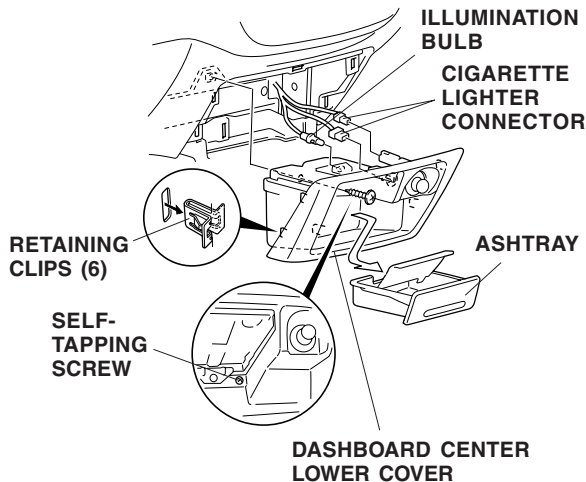
**Without a Cigarette Lighter and Ashtray:**

- With the parking brake applied, place the gear shift lever in the Neutral position.
- Gently pry out on the lower cover to release the six retaining clips.
- Unplug the accessory power socket connector (if equipped, unplug the fog light harness), and remove the lower cover.



**With a Cigarette Lighter and Ashtray:**

- With the parking brake applied, place the gear shift lever in the Neutral position.
- Remove the ashtray.
- Inside the ashtray opening, remove the one self-tapping screw securing the dashboard center lower cover.
- Gently pry out on the lower cover to release the six retaining clips.

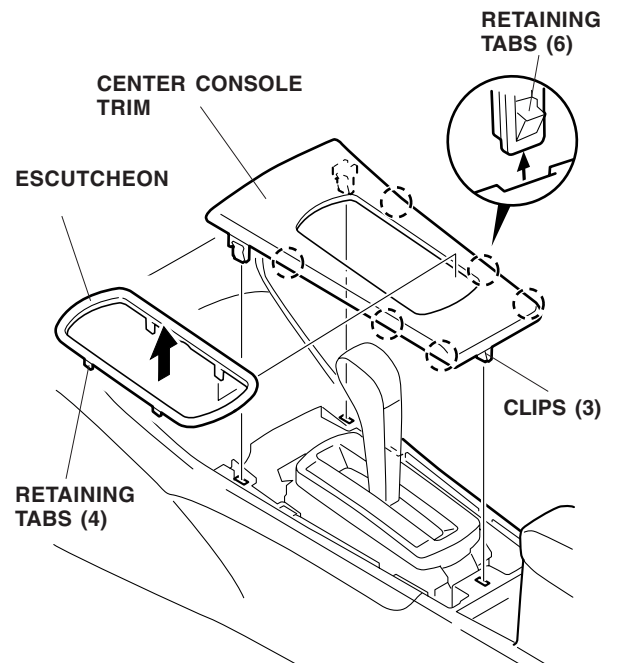


**If the vehicle is not equipped with a center console armrest, go to step 10, otherwise; continue with step 6.**

- Remove the escutcheon, and the center console trim:

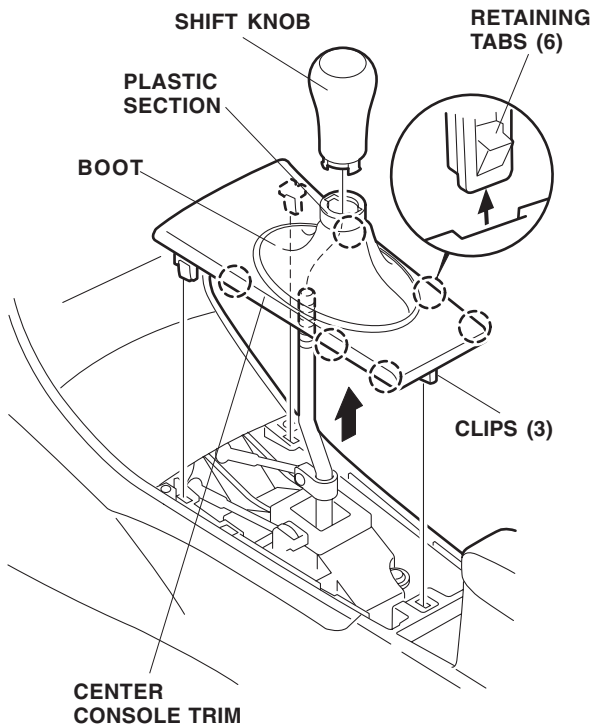
**A/T Model:**

- With the parking brake applied, place the shift lever in the Neutral position.
- Pry up on the four retaining tabs and remove the escutcheon.
- Pry up on the three clips and six retaining tabs and remove the center console trim.



**M/T Model:**

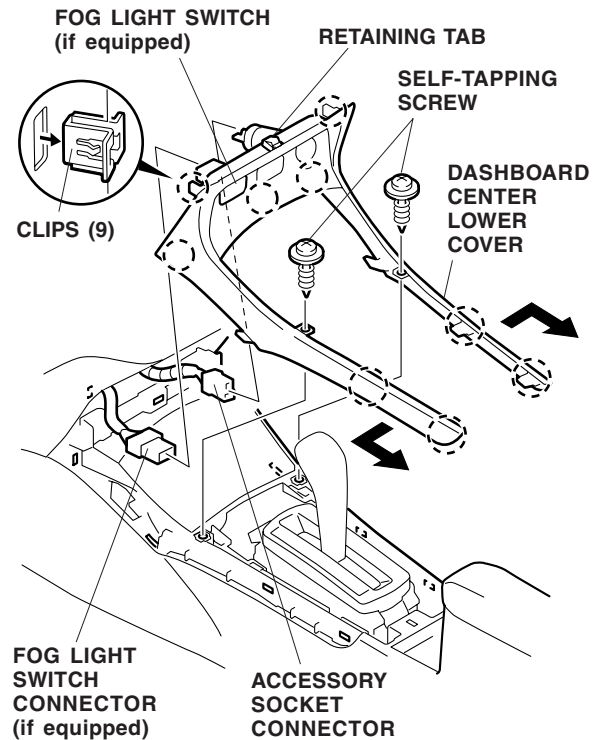
- Apply the parking brake.
- Remove the shift knob from the lever by holding the plastic section above the boot down firmly with one hand and turning the knob counterclockwise with the other hand.
- Pry up on the three clips and six retaining tabs and remove the center console trim.



7. Remove the dashboard center lower cover.

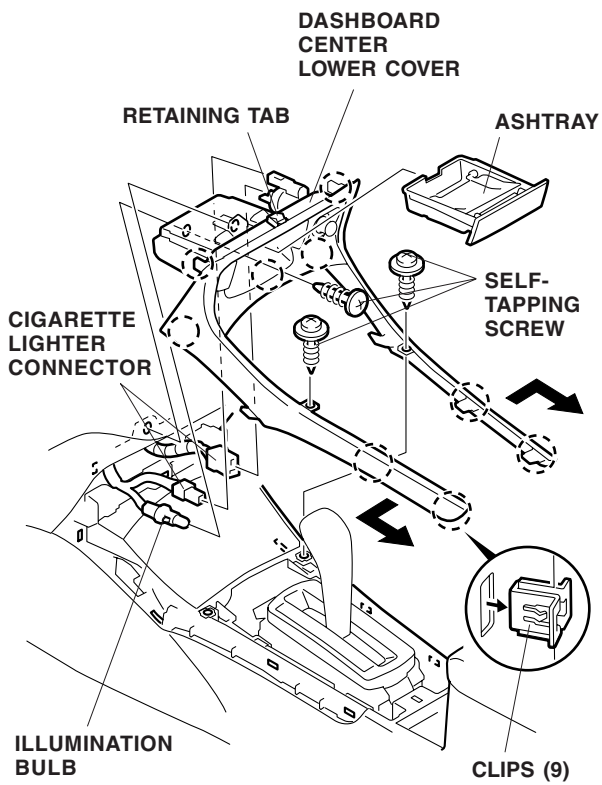
**Without a Cigarette Lighter and Ashtray:**

- Remove the two self-tapping screws that fasten the dashboard center lower cover.
- Gently pry out on the dashboard center lower cover to release the rear four clips, then pull the cover rearward to release five clips and one retaining tab.
- Unplug the accessory power socket connector (If equipped, unplug the fog light harness), and remove the dashboard center lower cover.

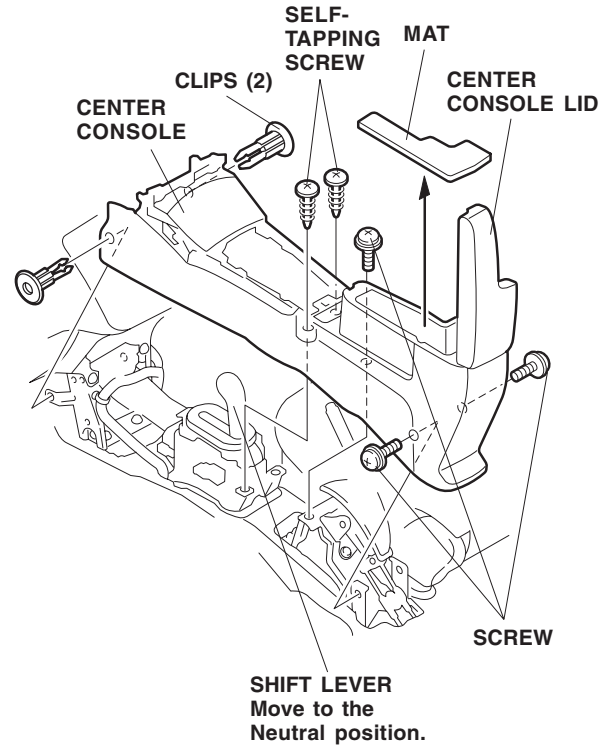


**With a Cigarette Lighter and Ashtray:**

- Remove the ashtray. Inside the ashtray opening, remove the one self-tapping screw.
- Remove the two self-tapping screws that fasten the dashboard center lower cover.
- Gently pry out on the dashboard center lower cover to release the rear four clips, then pull the cover rearward to release five clips and one retaining tab.
- Unplug the cigarette lighter connector, the accessory power socket connector, and the illumination bulb, then remove the lower cover.



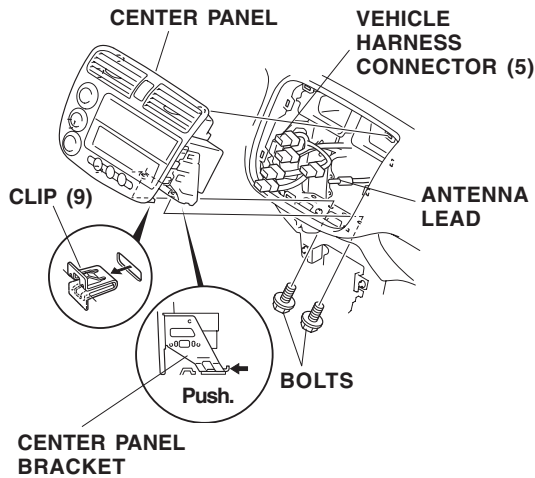
8. Open the center console lid, and remove the mat.



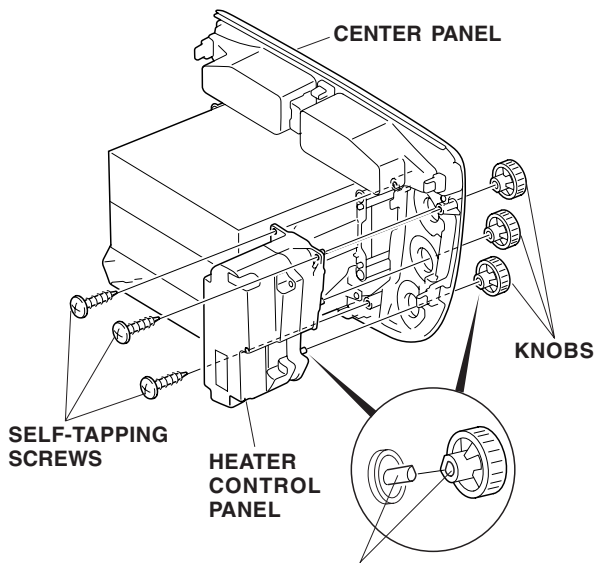
9. Remove the two clips, two self-tapping screws and three screws that fasten the center console. Move the shift lever to the Neutral position, and remove the center console.

10. Remove the center panel:

- Remove the two bolts from the bottom of the center panel.
- Reach through the bottom opening, and push out on the center panel bracket to release the nine clips.
- Unplug the five connectors and the antenna lead, then remove the center panel.



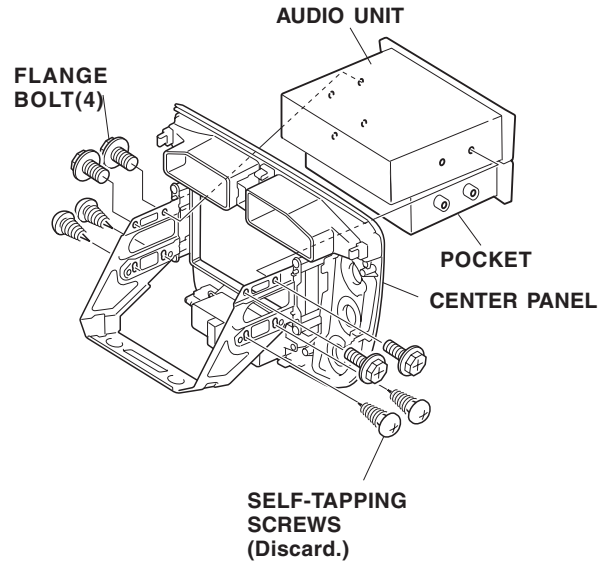
11. Gently pull out on each knob, and remove them from the heater control panel.



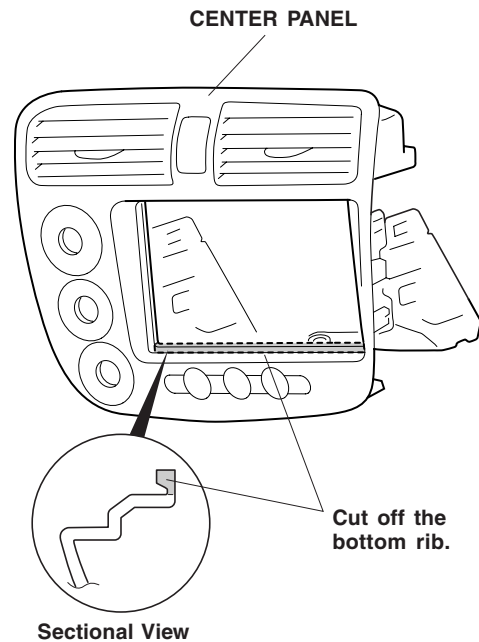
To reinstall the knobs, align the flat surface on the rod with the flat surface on the hole of each knob.

12. Remove the three self-tapping screws that fasten the heater control to the center panel, and remove the heater control panel.

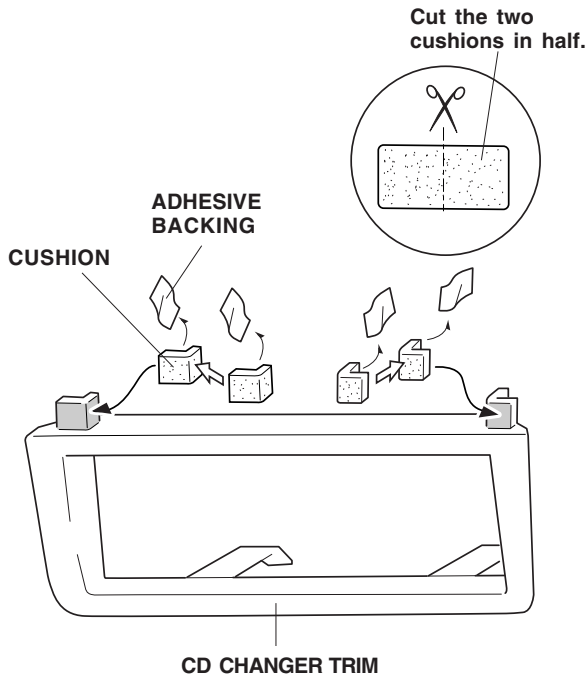
13. Remove the audio unit and pocket from the center panel (four flange bolts and four self-tapping screws).



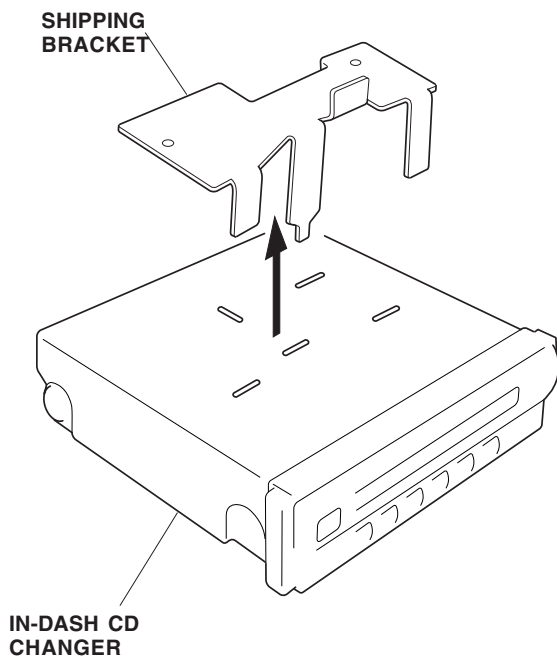
14. Using a utility knife, cut off the bottom rib from the center panel at the lower edge of the audio opening. Remove all burrs.



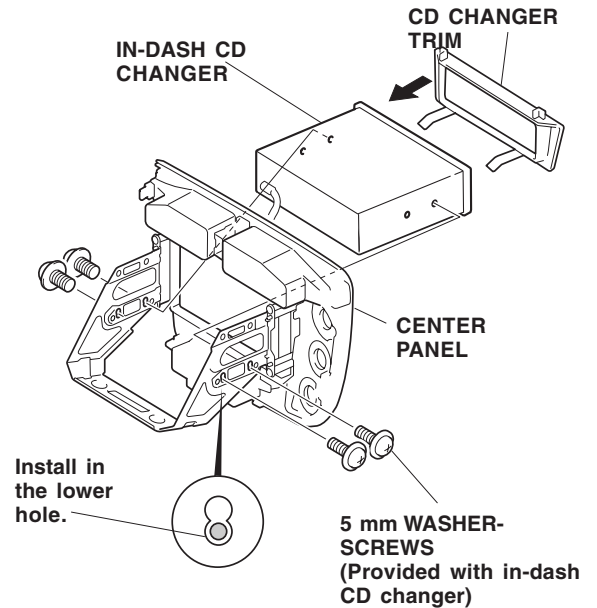
- Using scissors, cut the two cushions in half. Remove the adhesive backing from each cushion, and attach two halves to the CD changer trim in the areas shown.



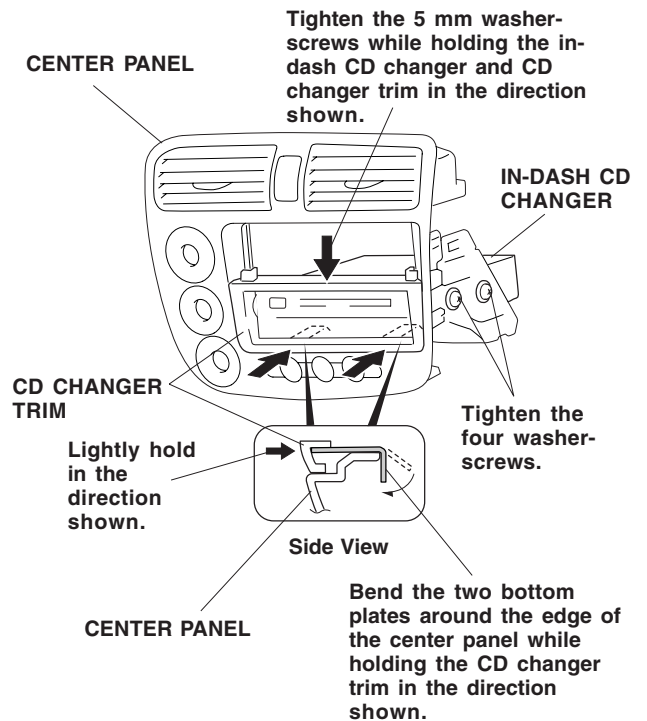
- Remove the shipping bracket from the in-dash CD changer.



- Slide the in-dash CD changer and CD changer trim into the opening of the center panel, and loosely install the four 5 mm washer-screws (provided with the in-dash CD changer), through the lower holes.



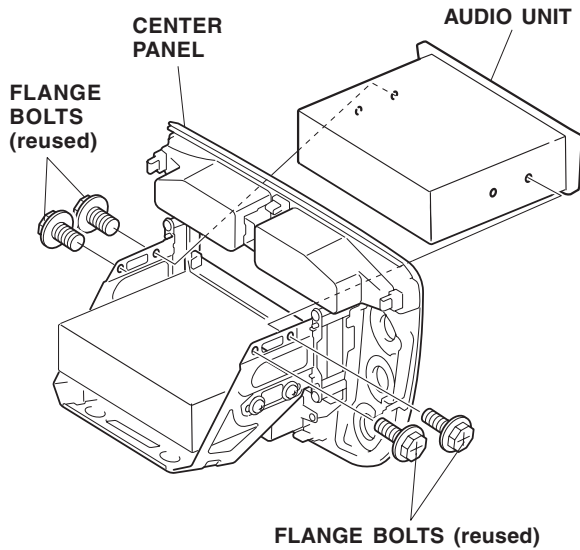
- While holding the in-dash CD changer and CD changer trim in place, tighten the 5 mm washer-screws installed in step 17.



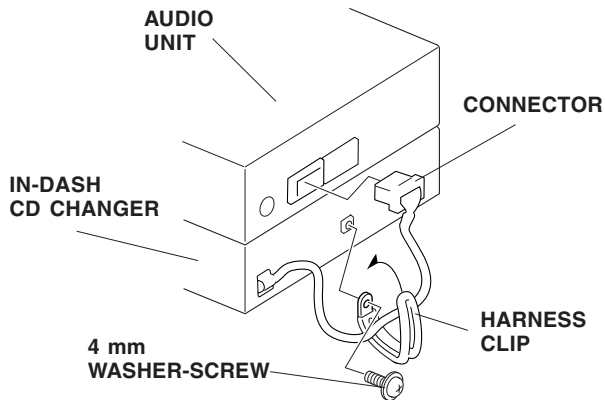
- Bend the two bottom plates of the CD changer trim around the edge of the center panel.



- Slide the audio unit into the opening of the center panel, and reinstall the four flange bolts.

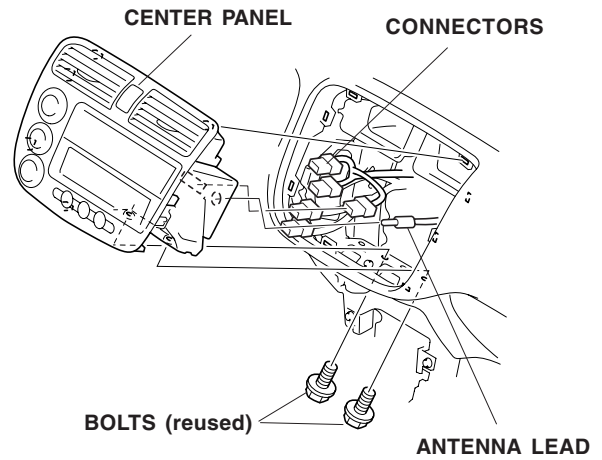


- Attach the harness clip to the rear of the in-dash CD changer with the 4 mm washer-screw.



- Plug the connector from the in-dash CD changer into the rear of the audio unit, and secure the harness with the harness clip.

- Reinstall the heater control panel and knobs on the center panel.



- Plug in the five vehicle harness connectors, then plug the antenna lead into the rear of the audio unit.
- Reinstall the center panel with the two bolts.
- Reconnect the negative cable to the battery.  
NOTE: The in-dash CD changer LED will flash.
- Check operation of the in-dash CD changer according to the owner's manual supplied with the in-dash CD changer.
- Reinstall all removed parts. Check that all clips are installed securely.
- Enter the anti-theft code, and reset the radio station presets. Reset the clock.
- Test the operation of the accessory socket/cigarette lighter.
- Put the CD changer owner's manual in the glove box.