



INSTALLATION INSTRUCTIONS

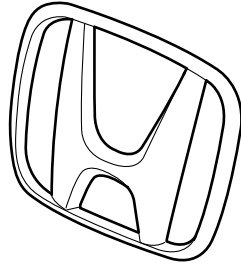
Accessory
GOLD EMBLEMS
P/N 08F20-S5D-100A (4-DOOR)
P/N 08F20-S5P-100A (2-DOOR)

Application
2005 CIVIC
2- AND 4-DOOR

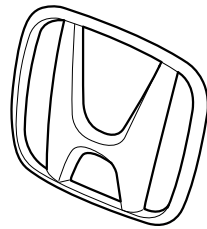
Publications No.
All 27869
Issue Date
AUG 2004

PARTS LIST

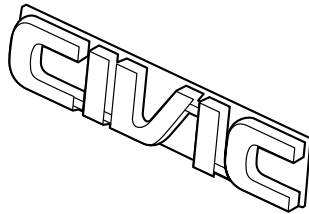
Front gold "H" emblem



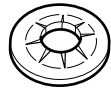
Rear gold "H" emblem



Rear gold "CIVIC" emblem



2 Push nuts



TOOLS AND SUPPLIES REQUIRED

Stubby Phillips screwdriver
Flat tip screwdriver
Diagonal cutters
Isopropyl alcohol
Shop towel
String
Masking tape
Long nose pliers
Blanket

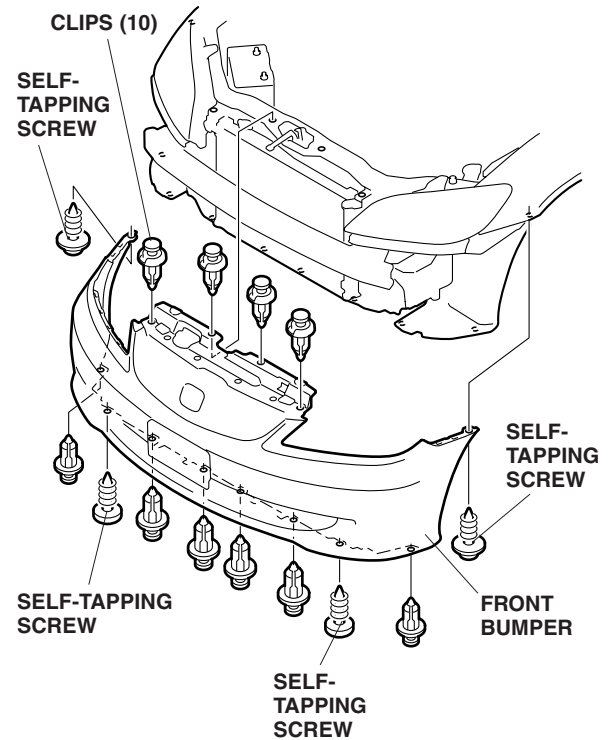
INSTALLATION

NOTE:

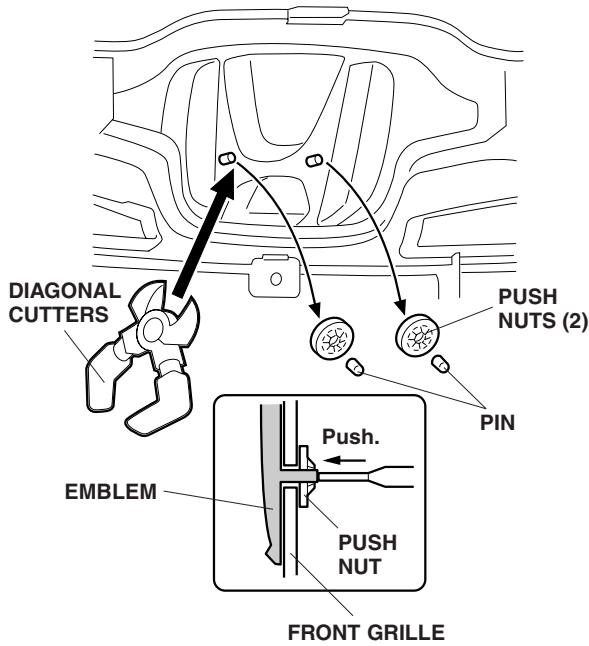
- Be careful not to damage the body finish when you remove and install the emblems.
- This emblem kit should be installed only when the ambient air temperature is 60°F (15°C) or above.
- To allow the adhesive to cure, do not wash the vehicle for 24 hours.

Installing the Front "H" Emblem

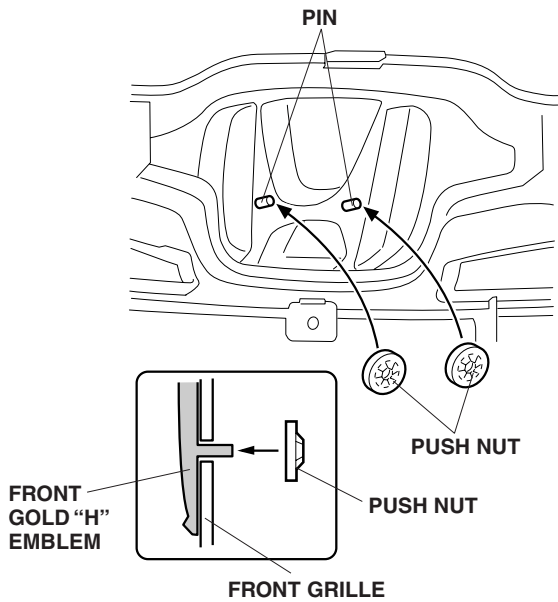
1. Open the hood. Remove the ten bumper clips, four self-tapping screws fastening the front bumper, and remove the front bumper. Set the front bumper on a blanket to install the front "H" emblem.



2. Inside the front grille, cut off the two locating pins extending from the existing "H" emblem with diagonal cutters. Remove the emblem.



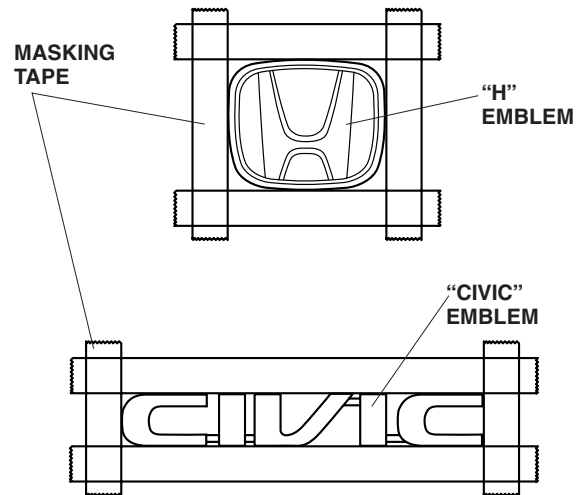
3. Using isopropyl alcohol on a shop towel, clean the area where the emblem was removed.
4. Attach the gold "H" emblem to the front grille with the push nuts flat side first. Note the direction of the push nuts.



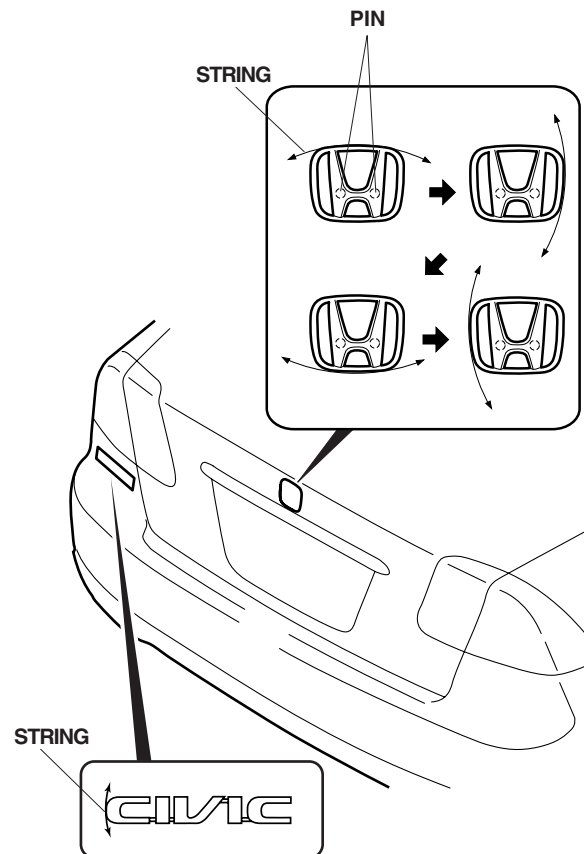
5. Reinstall the front bumper in the reverse order of removal.

Installing the Rear "H" and "CIVIC" Emblems

6. Mark the locations of the existing "H" and "CIVIC" emblems by applying masking tape along the four edges of each emblem.

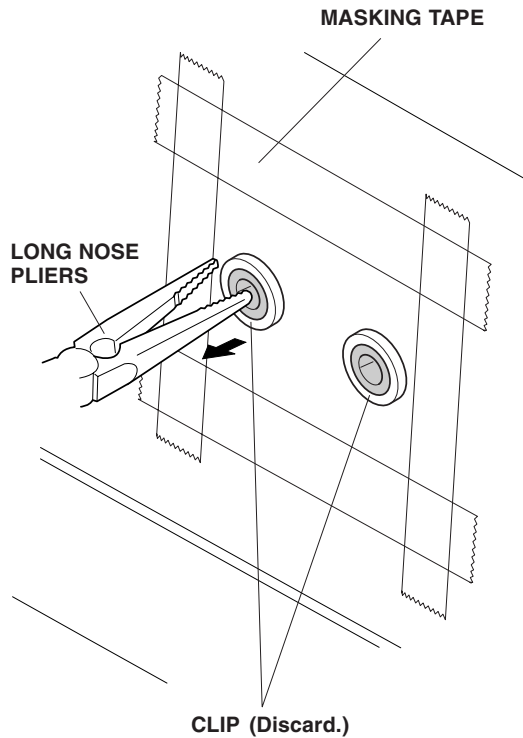


7. Remove the original rear emblems by cutting the outer edges with a piece of string. Note the locations of the locating pins of the emblems.



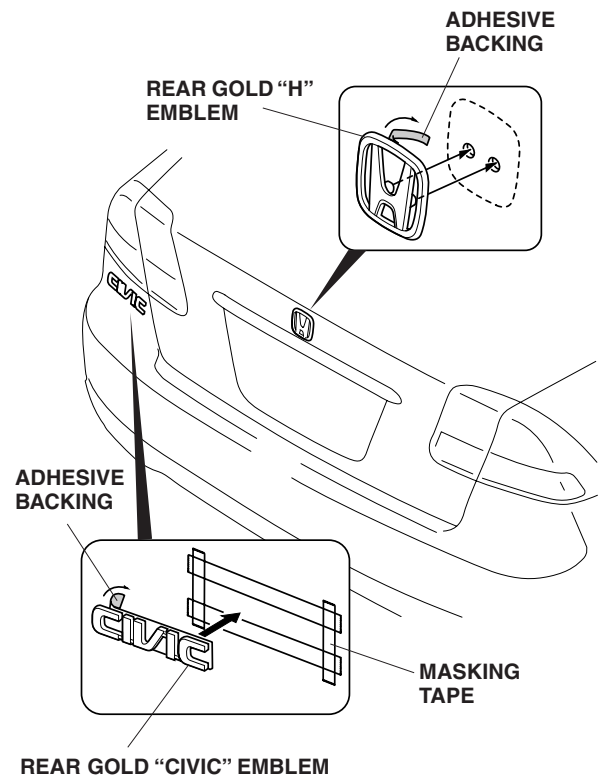
3603090W

- Remove the two clips from the trunk lid. Be careful not to damage the body.



- Using isopropyl alcohol on a shop towel, clean the areas where the emblems were removed.

- Remove the adhesive backing from the gold "H" emblem. Align the locating pins on the gold "H" emblem with the holes in the trunk lid, and attach the emblem to the trunk lid.



- Remove the adhesive backing from the gold "CIVIC" emblem, and attach the emblem to the trunk lid.
- Press each emblem firmly against the body with the palm of your hand for 30 seconds.
- Remove the masking tape.

NOTE: After the emblem kit is installed, tell your customer not to wash the vehicle for 24 hours to give the adhesive tape time to cure.