



INSTALLATION INSTRUCTIONS

Accessory
FULL NOSE MASK
 4-DOOR: P/N 08P35-S5D-100J
 2-DOOR: P/N 08P35-S5P-100J

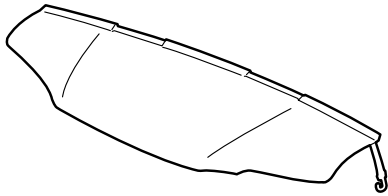
Application
2005 CIVIC
2- AND 4-DOOR

Publications No.
All 27864
 Issue Date
AUG 2004

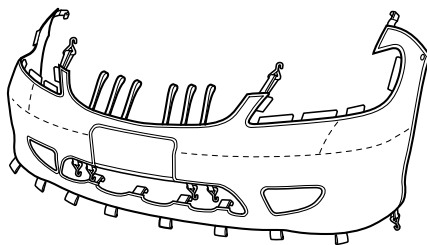
Keep this information in the glove box for future reference.

PARTS LIST

Mask
(hood section)



Mask
(bumper section)



2 Snap-screws



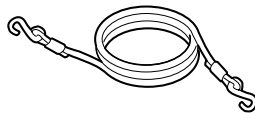
2 Fenderwell nuts



2 Washers



Elastic cord



Storage bag



TOOLS AND SUPPLIES REQUIRED

- Stubby #2 Phillips screwdriver
- Flat-tip screwdriver
- Scissors

INSTALLATION

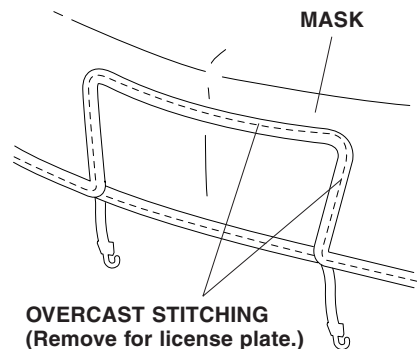
NOTE:

- Make sure the vehicle and the nose mask are clean and completely dry before installation. If moisture under the mask is allowed to dry, it may cloud the paint. If the mask gets wet, remove it and allow it to air-dry completely.
- Make sure any repainted surfaces are cured.
- Make sure the hood and nose of the vehicle have been waxed with a high-quality paste wax.
- Make sure to install the nose mask securely. If the nose mask starts to flap or comes loose while driving, safely pull off the highway, stop the vehicle, and secure or remove the mask.

Displaying the License Plate

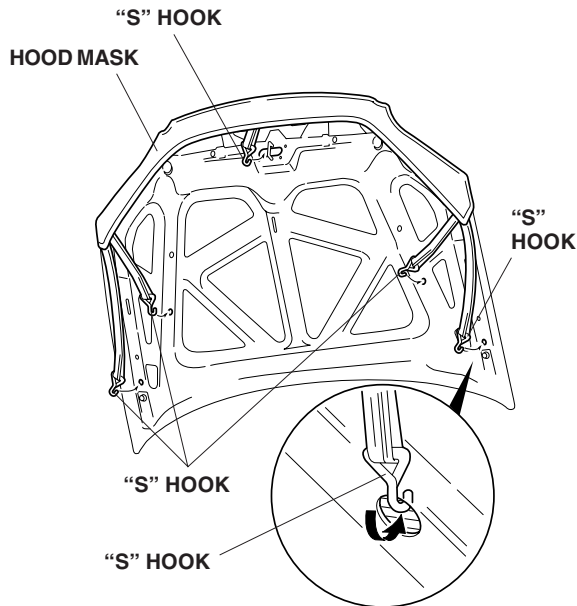
If your state law requires the display of both license plates, cut out the piece of the bumper section that covers the front license plate:

- Face the inside of the mask toward you.
- Carefully cut out the license plate section with scissors at the top seam, and remove the overcast stitching.



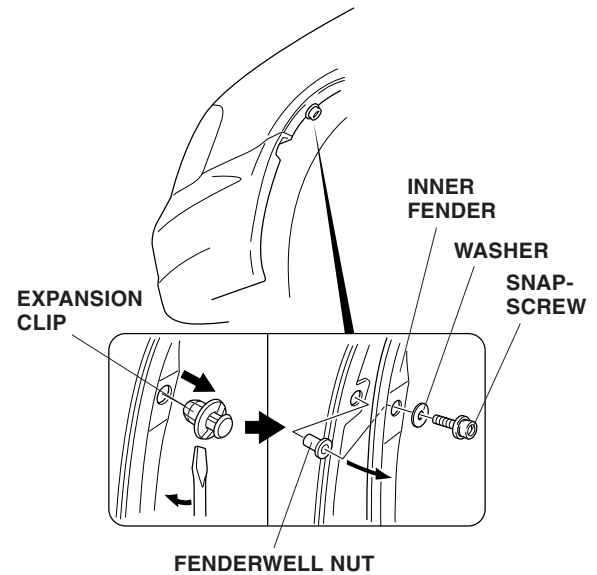
Installing the Hood Section

1. Open the hood. Fit the corners of the mask around the hood. Adjust the mask so that it fits smoothly over the edges by pressing out the wrinkles and pulling the nose mask toward you. Attach the five "S" hooks to the hood.



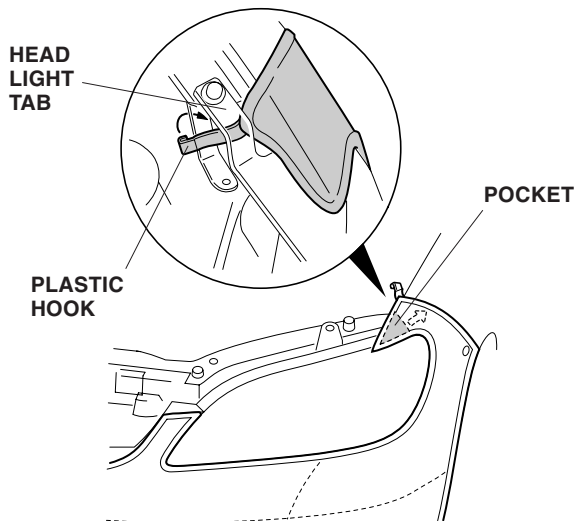
Installing the Bumper Section

2. Turn the steering wheel all the way clockwise.
3. Pry out the plastic pin, and remove the expansion clip that fastens the left inner fender; remove and retain the clip, then clean the area around the hole.

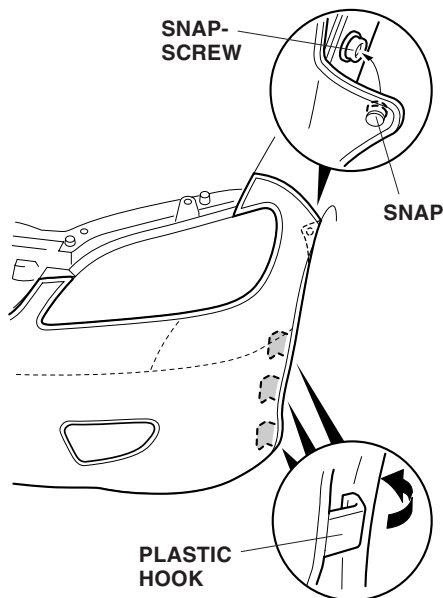


4. Pull the inner fender away, and press one fenderwell nut (supplied) into the hole in the fender flange.
5. With its washer in place, securely tighten one snap-screw into the fenderwell nut.
6. Turn the steering wheel all the way counterclockwise, and repeat steps 3 through 5 on the right side of the vehicle.

- Slip the pocket of the mask's fender section onto the front corner of the fender, then attach the plastic hook to the top inside edge of the fender. Fit the mask across the bumper, and attach the mask to the other side in the same way.

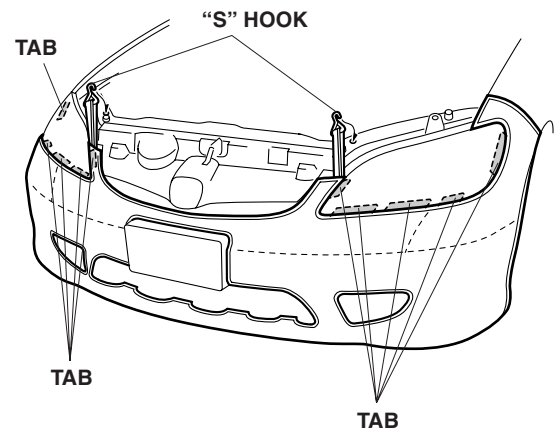


- Pull the mask back toward the wheelwell, smooth out any wrinkles, and then snap the mask onto the snap-screw. Repeat on the other side.

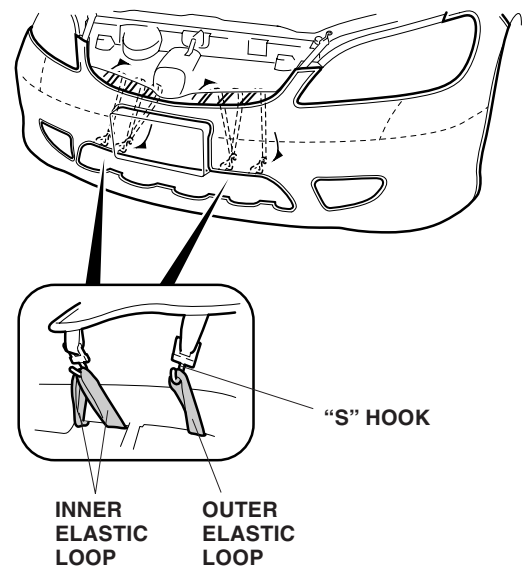


- On both sides of the vehicle, attach the three plastic clips to the fenderwell.

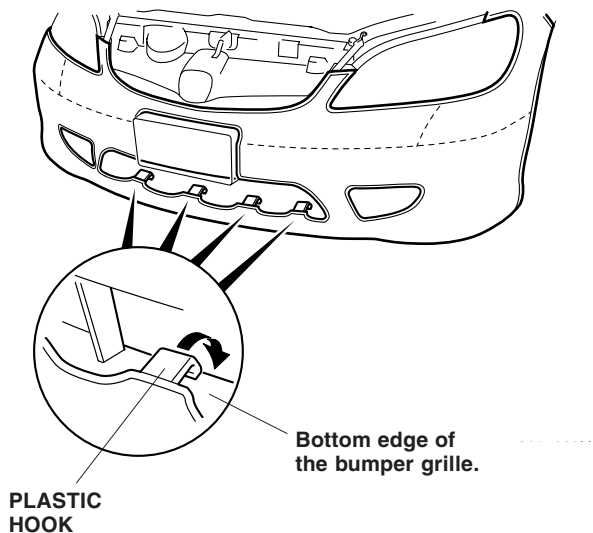
- Attach the two "S" hooks to the front bulkhead.



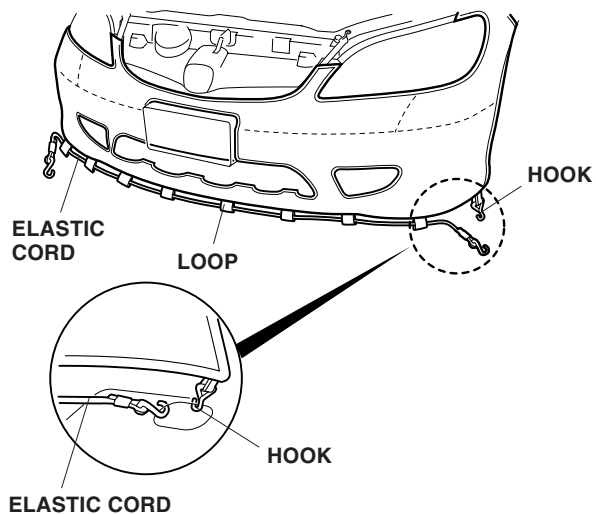
- Insert the five tabs into the clearance around the headlight. Repeat on the other side.
- Route the six elastic loops out through the lower holes in the front grille. Attach the four "S" hooks to the elastic loops behind the bumper. Attach the two inner elastic loops to the "S" hook on the inside.



13. Attach the four plastic hooks to the bottom edges of the bumper grille.



14. Route the elastic cord through the eight loops on the bottom of the mask. Attach one "S" hook to the bottom edge of the bumper on one side. Stretch out the cord after routing it through each loop then attach the other "S" hook to the bottom edge of the bumper on the other side. Attach the hooks on the corners of the mask to the bottom edge of the bumper on both sides.



15. Put these instructions and expansion clips (removed in step 3) into the glove box.

CLEANING THE NOSE MASK

Use a sponge or cloth and a solution of mild liquid dishwashing soap and water to clean the vinyl and the flannel backing. Rinse the mask completely with clean water, and hang it to dry out of direct sunlight. Make sure the mask is completely dry before you reinstall it.