

**INSTALLATION
INSTRUCTIONS**

Accessory

EXHAUST PIPE TRIM
GOLD: P/N 08F53-S5D-100F
CHROME: P/N 08F53-S5D-100

Application

2005 CIVIC
2- AND 4-DOOR

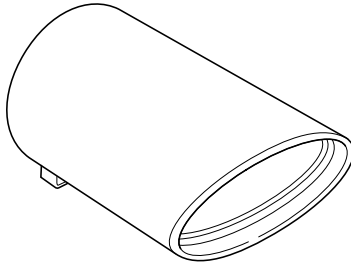
Publications No.

All 27860

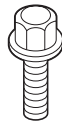
Issue Date

AUG 2004**PARTS LIST**

Exhaust pipe trim



Flange bolt, 6 x 14 mm

**TOOLS REQUIRED**

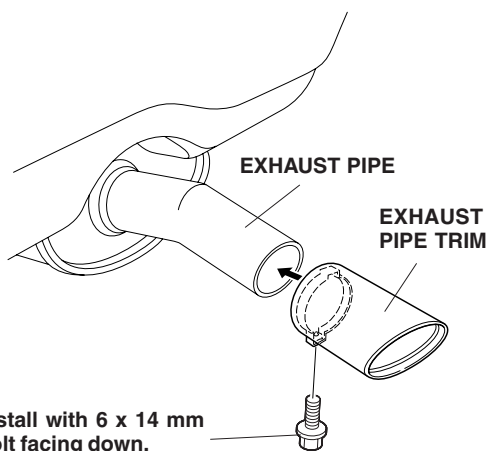
10 mm Combination wrench

Torque wrench

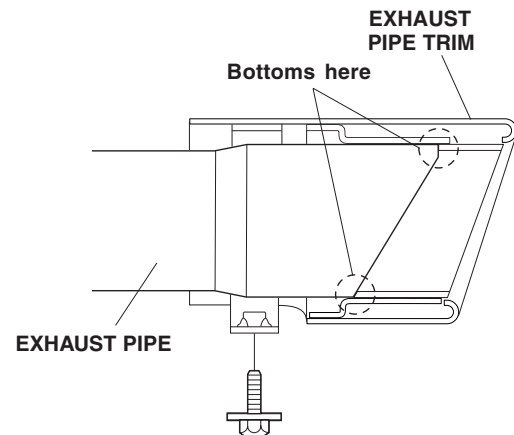
10 mm Socket

INSTALLATION

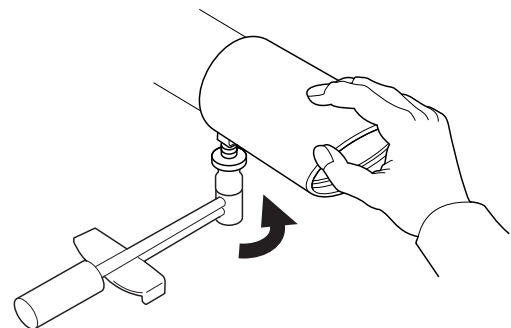
1. Allow the exhaust pipe to cool down before you install the exhaust pipe trim.
2. Remove the original exhaust pipe finisher.
3. Partially thread the 6 mm flange bolt into the exhaust pipe trim.



4. With the 6 mm flange bolt facing down, slide the exhaust pipe trim onto the exhaust pipe until it bottoms against the exhaust pipe.



5. While pushing the exhaust pipe trim firmly against the exhaust pipe, torque the 6 x 14 mm flange bolt to 10 N·m (7 lb-ft).



6. Start the engine, and rev it up a few times. Listen for any rattling noise coming from the exhaust pipe trim, and adjust if necessary.