



INSTALLATION INSTRUCTIONS

Accessory
CIGARETTE LIGHTER WITH ASHTRAY (DX, HX, VP)

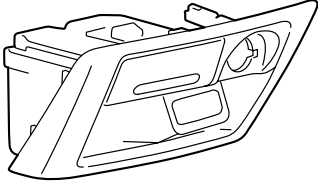

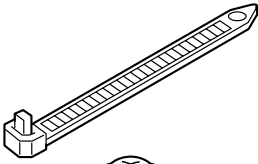


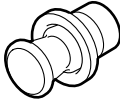
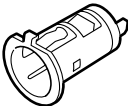


Application
2005 CIVIC 2 AND 4-DOOR

Publications No.
All 27858-30849

Issue Date
SEP 2005

NOTE: The Cigarette Lighter with Ashtray cannot be installed if the vehicle is equipped with optional Fog Lights.

PARTS LIST

- Center lower cover 
- Lighter harness 
- 2 Wire ties 
- Self-tapping screw 
- Screw grommet 
- Knob 
- Socket 
- Ring (for 2-door model) 
- Ring (for 4-door model) 

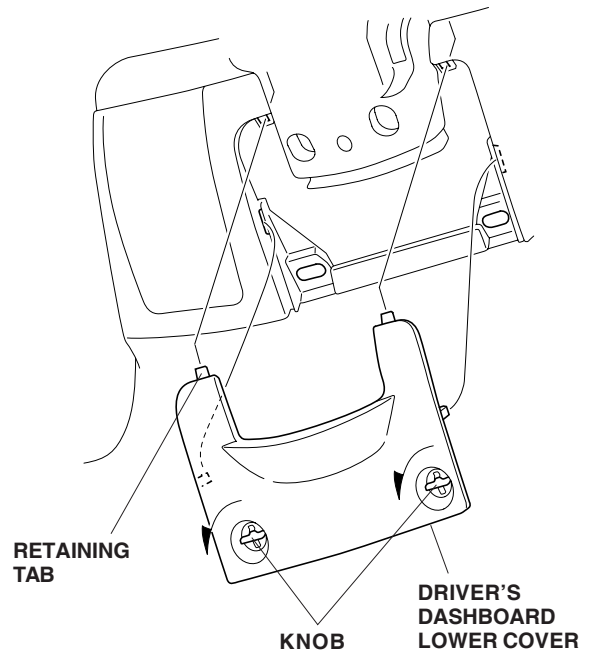
TOOLS REQUIRED

- Flat-tip screwdriver
- Diagonal cutters
- Phillips screwdriver

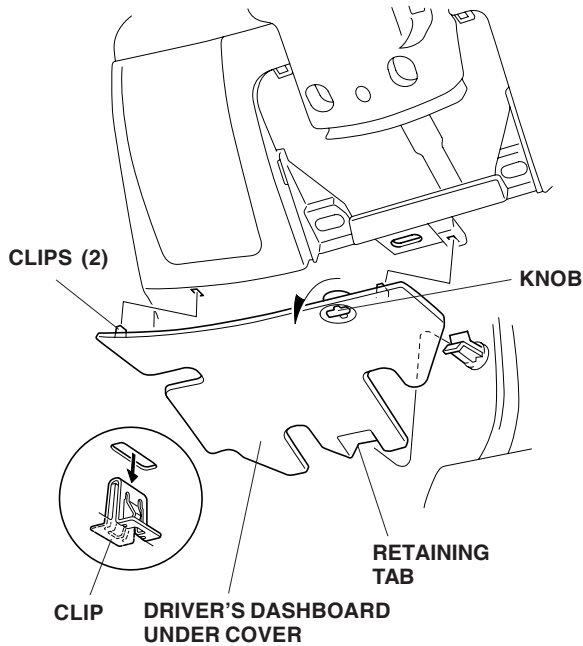
INSTALLATION

Customer Information: The information in this installation instruction is intended for use only by skilled technicians who have the proper tools, equipment, and training to correctly and safely add equipment to your vehicle. These procedures should not be attempted by "do-it-yourselfers."

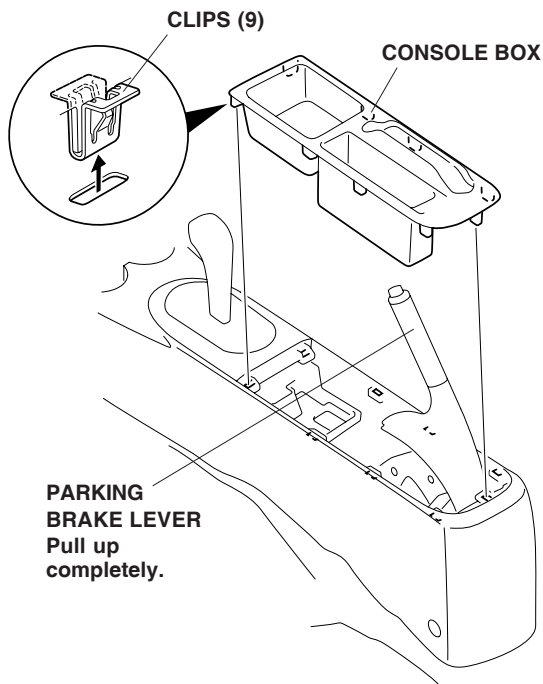
1. Make sure you have the anti-theft code for the radio, then write down the customer's radio station presets.
2. Disconnect the negative cable from the battery.
3. Remove the driver's dashboard lower cover. Turn the two knobs counterclockwise, and release the four retaining tabs.



- Remove the driver's dashboard under cover. Turn the knob counterclockwise, and release the two clips and one retaining tab.



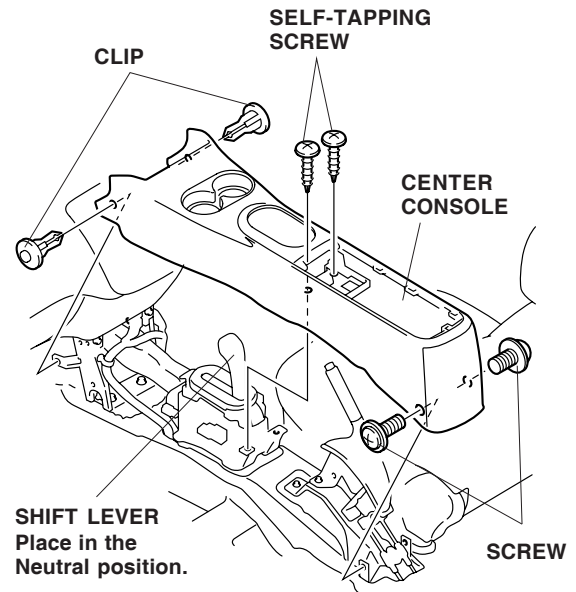
- Pull up on the parking brake lever, then remove the console box (nine clips).



- Remove the center console.

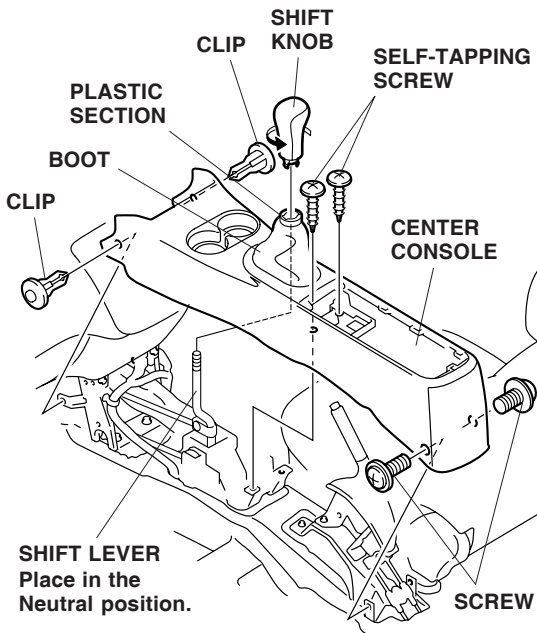
A/T Model:

- Place the shift lever in the Neutral position.
- Remove the two self-tapping screws, two screws, and two clips that fasten the center console.
- If equipped with an optional armrest, remove the console after reclining the seat-back.



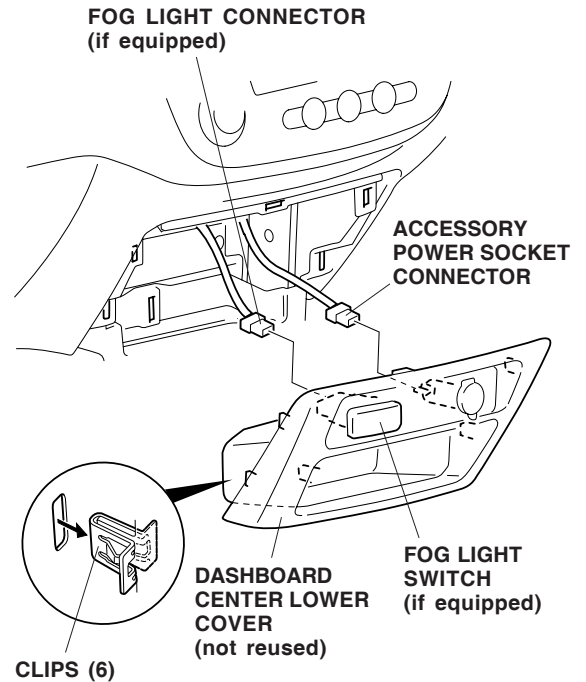
M/T Model:

- Remove the shift knob from the lever by holding the plastic section, above the boot, down firmly with one hand and turn the knob counterclockwise with the other hand.
- Remove the two self-tapping screws, two screws, and two clips that fasten the center console. Remove the console.

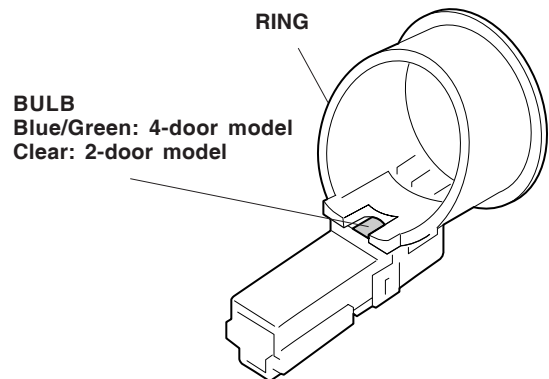


7. Remove the dashboard center lower cover:

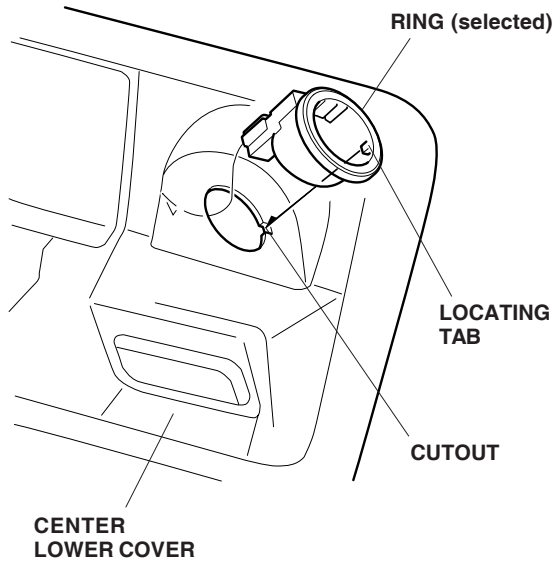
- With the parking brake applied, place the gearshift lever in the Neutral Position.
- Gently pry out on the dashboard center lower cover to release the six retaining clips.
- Unplug the accessory power socket connector, and remove the dashboard center lower cover. If equipped, unplug the fog light harness, and remove the fog light switch.



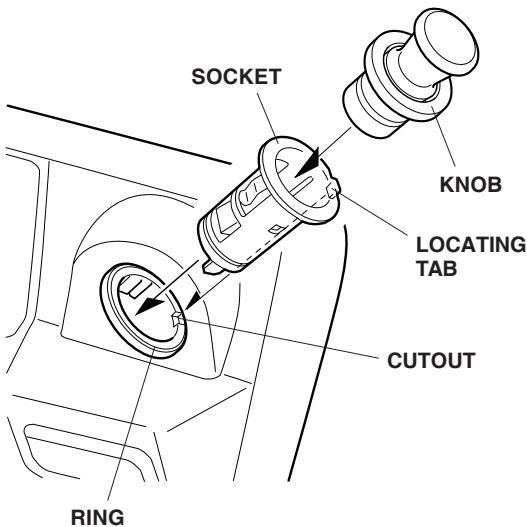
8. Check the color of the bulb located in each in the ring. The ring with the blue/green bulb belongs in the 4-door model; the ring with the clear bulb belongs in the 2-door model.



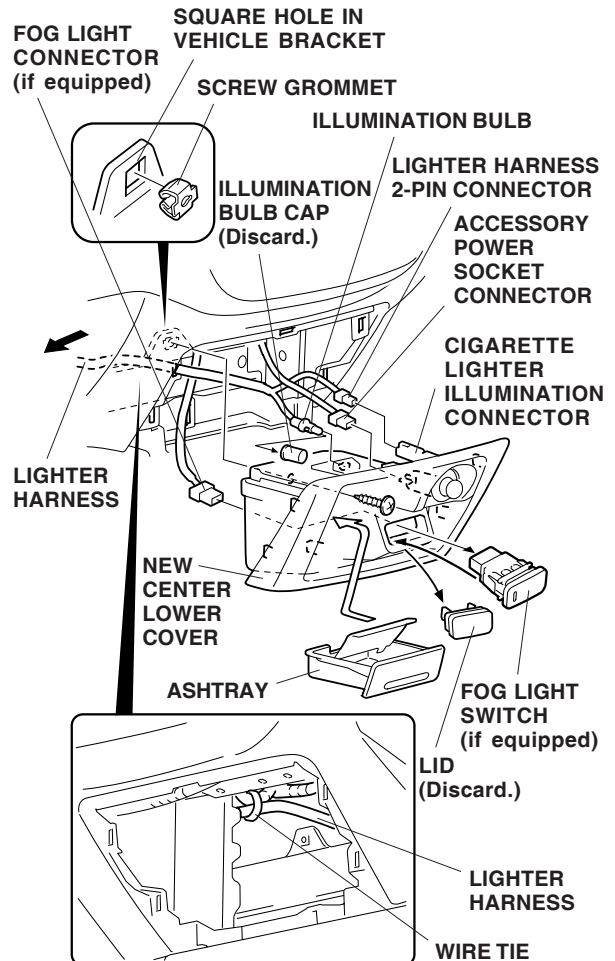
- Slide the ring into the cutout in the center lower cover by aligning its locating tab with the cutout in the lower cover.



- Slide the socket into the ring by aligning the locating tab with the cutout in the ring, then install the knob.

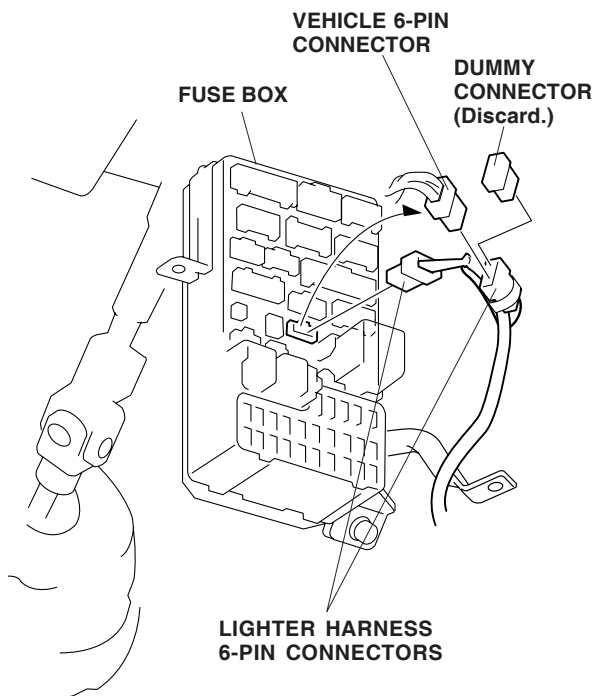


- Install the cigarette lighter with ashtray:
 - Get the lighter harness and plug its 2-pin connector into the illumination connector for the cigarette lighter. Plug the accessory power socket connector into the cigarette lighter.
 - Remove the illumination bulb cap from the illumination bulb, then slide the illumination bulb into the ashtray.
 - If equipped, install the fog light switch into the center lower cover and plug in the connector.
 - Route the other end of the lighter harness from the dash opening to the fuse box, and secure it to the vehicle harness with one wire tie in the area shown.
 - Install the screw grommet into the square hole of the vehicle bracket.
 - Remove the ashtray from the center lower cover. Install the dashboard center lower cover (cigarette lighter with ashtray) into the dash, and install the self-tapping screw provided.
 - Install the ashtray.

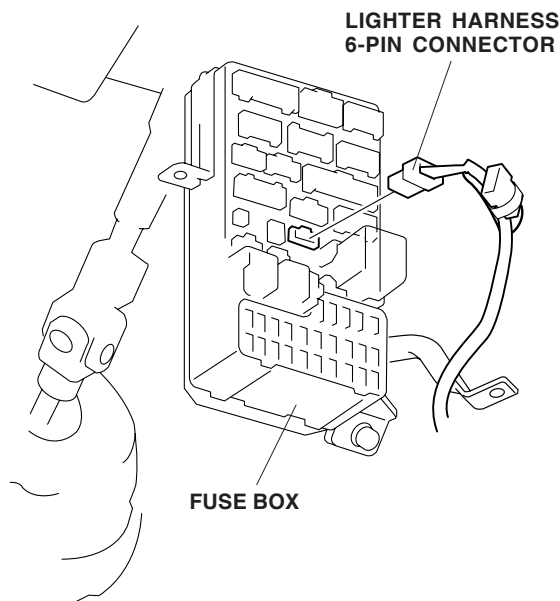


- Plug in the lighter harness.

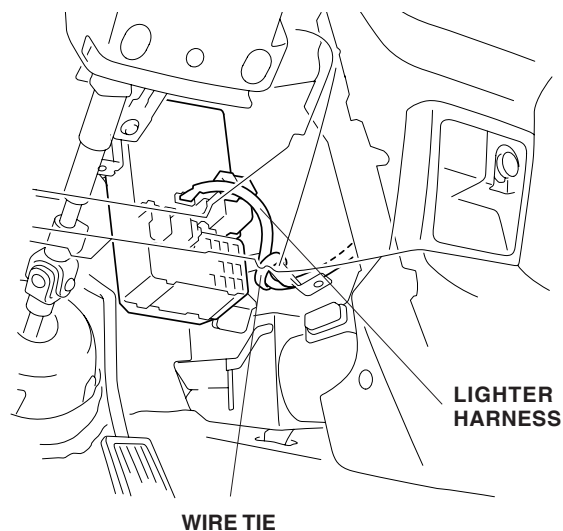
A/T Model: Remove a dummy connector from the lighter harness 6-pin connector. Unplug the vehicle 6-pin connector from the fuse box, and plug it into the lighter harness 6-pin connector. Plug the remaining lighter harness into the fuse box.



M/T Model: Plug the lighter harness connector directly into the fuse box, leaving the dummy connector in the lighter harness.



- Secure the lighter harness to the vehicle bracket with one wire tie.



- Reinstall all removed parts.
- Reconnect the negative cable to the battery.
- Check that the cigarette lighter heats properly when pressed in; open and close the ashtray several times to see that it works properly.
- Enter the customer's radio anti-theft code, and reset the radio station preset buttons.
- Reset the clock.

NOTE: Whenever the battery is disconnected, the driver's window AUTO function is disabled.

- Start the engine. Push down on the driver's window switch until the window is fully open.
- Pull up on the driver's window switch to close the window completely, then hold the switch for 2 seconds or more.
- Lower and raise the driver's window to check operation of the driver's window AUTO function.
- Do the ECM/PCM idle learn procedure.
 - Make sure all electrical items are turned off.
 - Start the engine. Hold the engine speed at 3,000 rpm with no load (in Park or Neutral) until the radiator fan comes on.
 - Let the engine idle for about 5 minutes with the throttle fully closed and with all electrical items off.

NOTE: If the radiator fan comes on during this step, the time it operates must not be included in the 5 minutes.