



# INSTALLATION INSTRUCTIONS

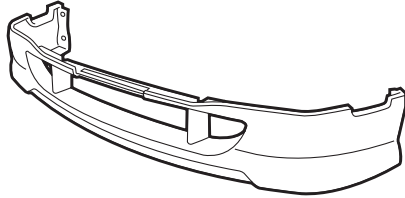
Accessory  
**FRONT UNDER SPOILER**

Application  
**2005 CIVIC Si**

Publications No.  
**A11 27956**  
Issue Date  
**AUG 2004**

## PARTS LIST

Front under spoiler



6 Bumper bolts



6 Clip nuts



4 Self-tapping screws



4 Spring nuts



## TOOLS AND SUPPLIES REQUIRED

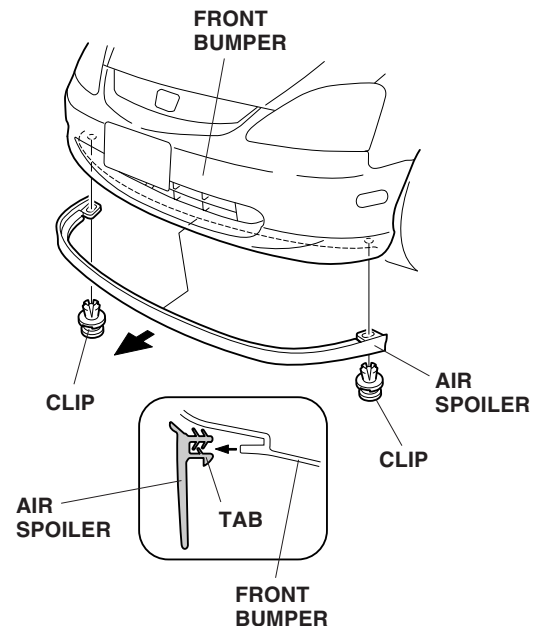
Flat-tip screwdriver  
Phillips screwdriver  
10 mm Socket  
Ratchet  
10 mm T-handle wrench  
Isopropyl alcohol  
Shop towel  
Adhesive tape  
Drill  
3 mm Drill bit  
Eye protection (face shield, safety goggles, etc.)  
Adhesive tape  
Center punch  
File

## INSTALLATION

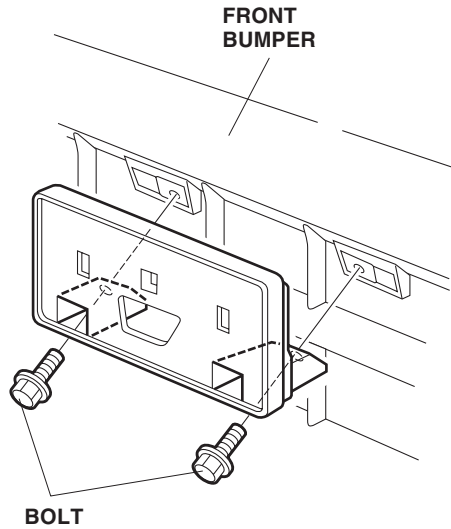
### NOTE:

- Be careful not to damage the body finish when installing the front under spoiler.
- Use two people to install the front under spoiler.
- Make sure the area to be covered is clean and waxed with a high-quality paste wax. To prevent spilling, use a shop towel to apply isopropyl alcohol, and wipe up any spilled alcohol at once. Allow the isopropyl alcohol to dry thoroughly before installing the spoiler.
- Before removing parts, note their locations so they can be reinstalled in their original locations properly.
- This front under spoiler kit should be installed only if the outside air temperature is 60°F (15°C) or above.
- To allow the adhesive to cure, do not wash the vehicle for 24 hours.

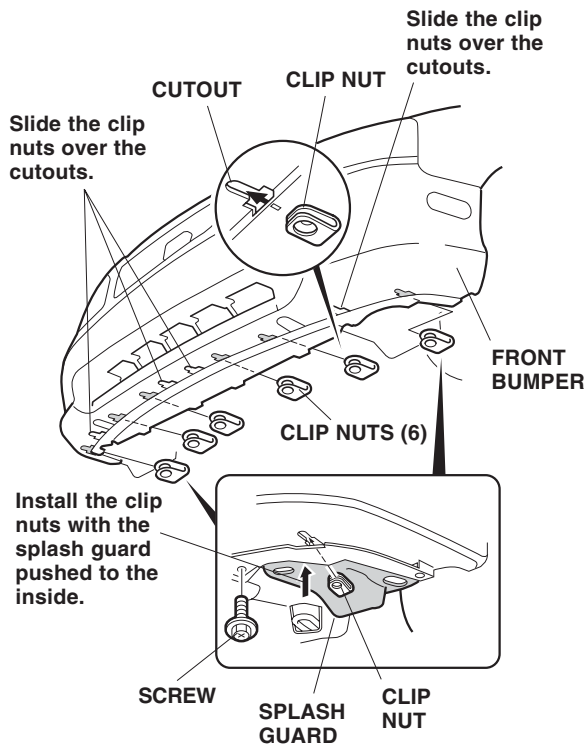
1. Remove the air spoiler (two clips and a tab).



- Remove the license base (2 bolts).

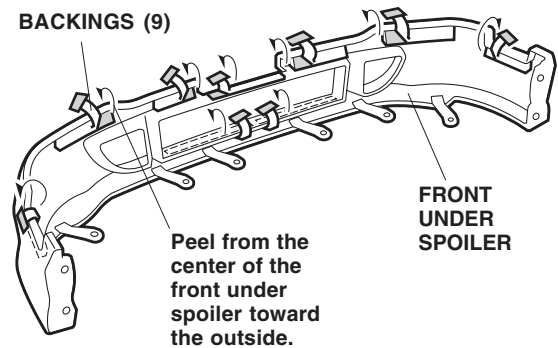


- Slide four clip nuts onto the bottom flange of the front bumper over the cutouts as shown.

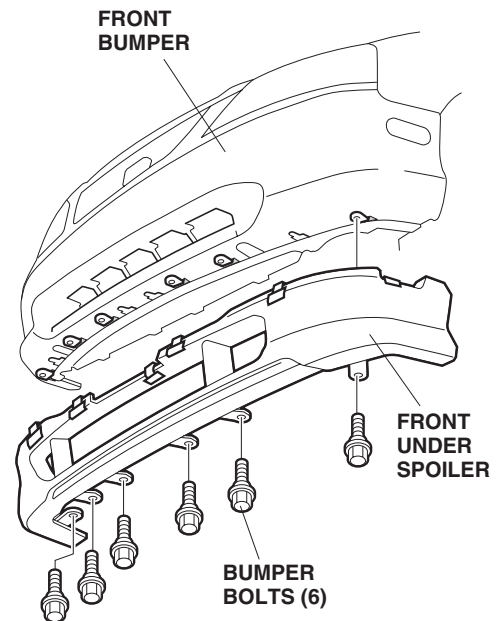


- Remove the two screws at the ends of the front bumper, and install two clip nuts with the splash guard pushed to the inside as shown. After installation of the two clip nuts, install the two screws again at their original positions. Note the direction of the clip nuts.

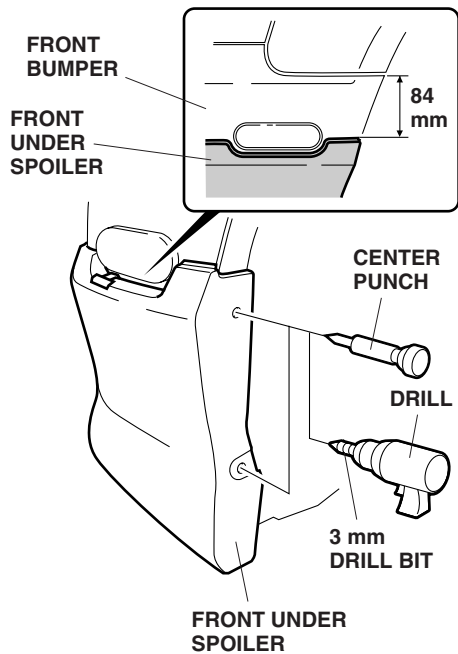
- Using isopropyl alcohol on a shop towel, clean the area where the front under spoiler will be installed.
- Inside the front under spoiler, remove 3 to 5 cm (1 to 2 in.) of the backing from the end of each adhesive tape, and fold them up. Attach a strip of masking tape to each adhesive tape, and then attach the masking tape to the surface of the front bumper as shown. When peeling off the backing, peel it off from the center of the front under spoiler toward the outside as shown.



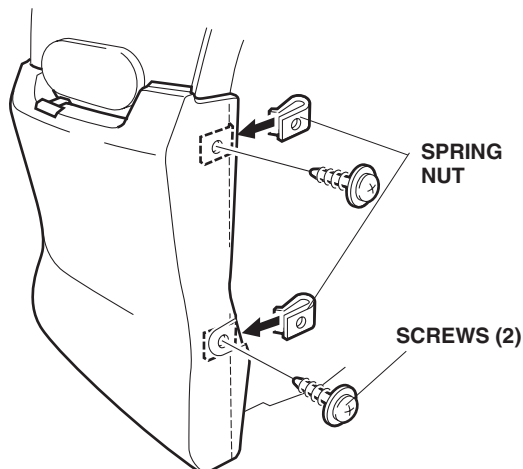
- Position the front bumper on the front under spoiler, and temporarily install the six bumper bolts.



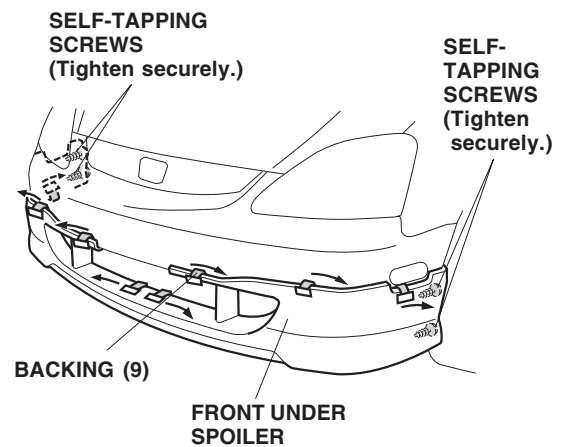
- Turn the steering wheel all the way clockwise, adjust the distance between the upper edge of the front bumper and the upper edge of the front under spoiler to (3.3 in.) 84 mm, and lightly mark with a center punch at the two locations shown. While wearing eye protection, drill 3 mm holes through the marked locations. After drilling, remove all burrs from the edges of the holes with a file.



- Insert two spring nuts and two self-tapping screws into the holes drilled in the preceding step, and tighten them finger-tight.
- Turn the steering wheel all the way counterclockwise, and repeat steps 7 and 8 for the opposite side of the vehicle.



- While holding pressure on the front under spoiler, carefully remove the backing. Before removing the backing, hold the license base in place, and confirm that it does not interfere with the front under spoiler. When you remove the backing, peel it off sequentially from the center of the front under spoiler to the outside.



- Tighten the four self-tapping screws securely.
- Install the license base in its original position.

**Please copy this page and give it to your customer.**

- When towing a vehicle, follow the instructions described in the vehicle's owner's manual.
- When using the towing hook, be sure to remove both the front bumper and the front under spoiler. Failure to observe this precaution can damage the vehicle, the front bumper, and the front under spoiler.
- Actual vehicle may be different from the illustration.

