



INSTALLATION INSTRUCTIONS

Accessory

FLOOR MATS
P/N 08P15-S5T-110

Application

2005 CIVIC Si

Publications No.

All 27942

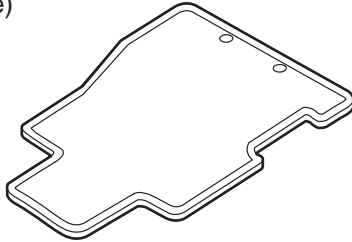
Issue Date

SEP 2004

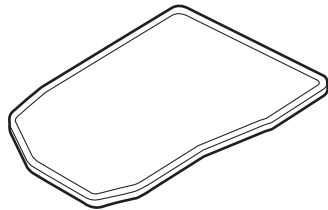
Put this information in the glove box with the vehicle owner's manual.

PARTS LIST

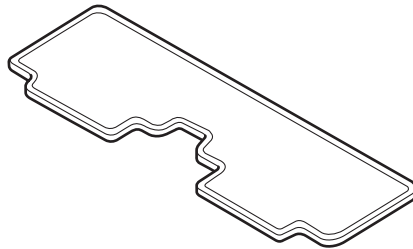
Floor mat (driver's side)



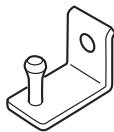
Floor mat (passenger's side)



Floor mat (rear)



2 Floor mat anchors



2 Plastic grommets



2 Self-tapping screws



TOOLS REQUIRED

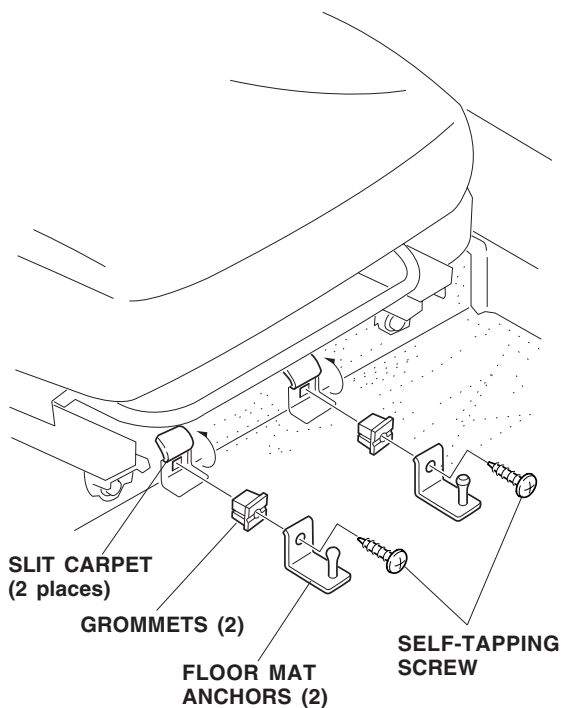
Phillips screwdriver

INSTALLATION

NOTE:

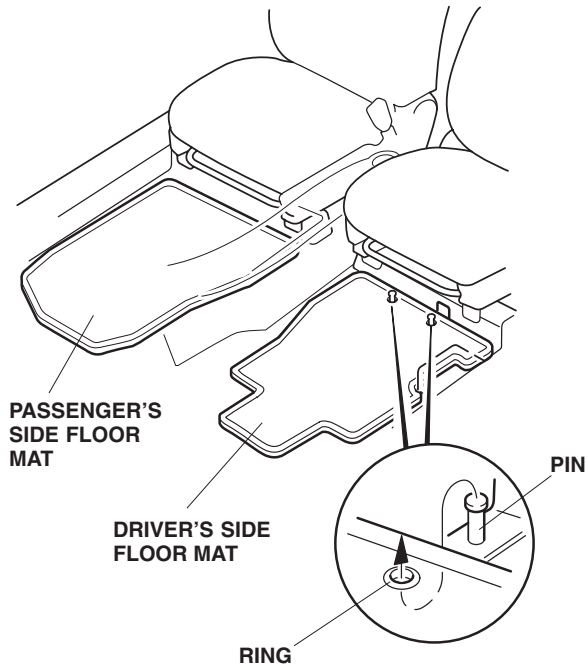
- A floor mat anchor is required for the driver's side of the vehicle; the anchor prevents the floor mat from sliding forward, and possibly interfering with the pedals.
- If you remove the front floor mat, make sure you re-anchor it when you put it back in your vehicle.
- If you replace the floor mat, use factory floor mats designed to be used with the floor mat anchor.
- If you use a non-factory floor mat in the driver's foot well, make sure it fits properly and that it can be used with the floor mat anchor.
- Do not put additional floor mats on top of the anchored mat, otherwise the additional mats may slide forward, and possibly interfere with the pedals.
- Identify each carpet floor mat by the marks on the back of each mat: the floor mats marked "R" go on the right side of the vehicle; the floor mats marked "L" go on the left side.

1. Slide the driver's seat all the way back.
2. Below the driver's seat, locate the two slits in the carpet at the front edge.



3. Turn over the slit carpet, and locate the square holes in the body. Press the plastic grommets into the holes.
4. Install the floor mat anchors to the body with the self-tapping screws. Tighten the screws securely.

5. Install the driver's floor mat by placing the rings in the floor mat over the pins of the floor mat anchors.



6. Install the front passenger's floor mat.
7. Install the rear floor mat.

