



INSTALLATION INSTRUCTIONS

Accessory

ENGINE BLOCK HEATER
P/N 08T44-S5D-100

Application

2005 CIVIC Si

Publications No.

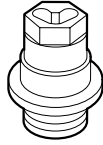
All 27940

Issue Date

AUG 2004

PARTS LIST

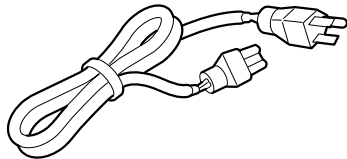
Engine block heater



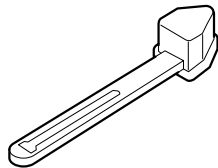
Aluminum washer



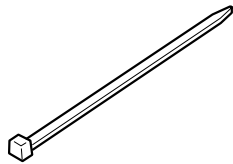
Heater harness



Protective cap



12 Wire ties



TOOLS AND SUPPLIES REQUIRED

Phillips screwdriver

Ratchet

24 mm Socket

Torque wrench

Diagonal cutters

Drain pan

Coolant (Honda All Season Antifreeze/Coolant Type 2)

Blanket

INSTALLATION

Customer Information: The information in this installation instruction is intended for use only by skilled technicians who have the proper tools, equipment, and training to correctly and safely add equipment to your vehicle. These procedures should not be attempted by “do-it-yourselfers.”

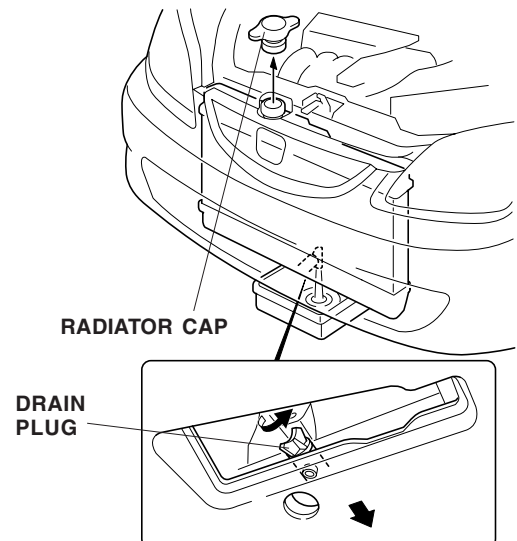
NOTE:

- Always use Honda All Season Antifreeze/Coolant Type 2. Using a non-Honda coolant can result in corrosion, causing the cooling system to malfunction or fail.
- To avoid burning out the element, do not operate the engine block heater before it is installed in the vehicle and before you add coolant.

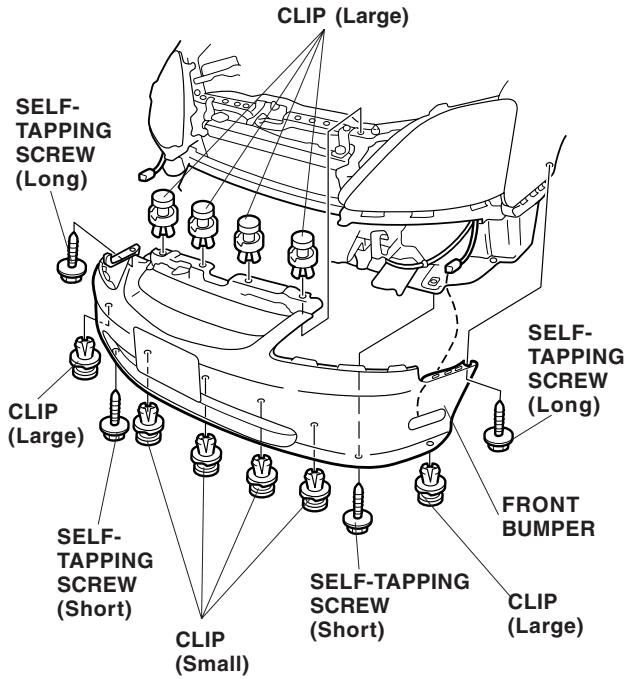
1. Allow the engine and all cooling system components to cool down.
2. Place a clean drain pan under the radiator drain plug; then remove the drain plug from the bottom of the radiator to drain the coolant. Remove the radiator cap to increase the flow.

NOTICE

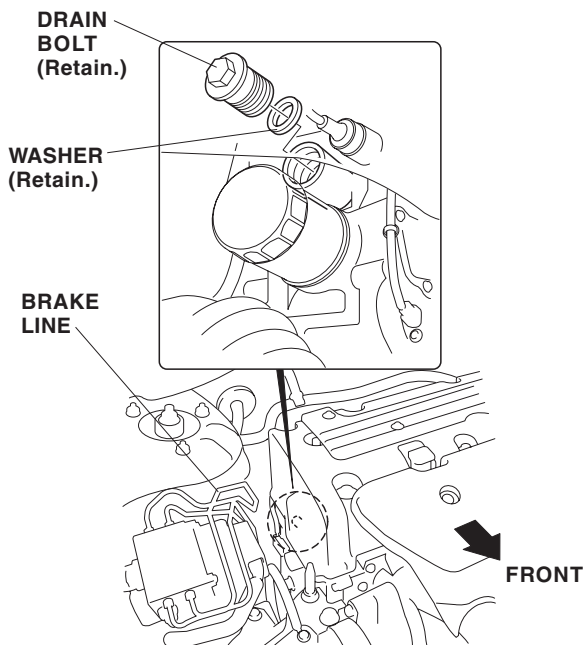
Radiator coolant will damage paint. Quickly rinse any spilled coolant from painted surfaces.



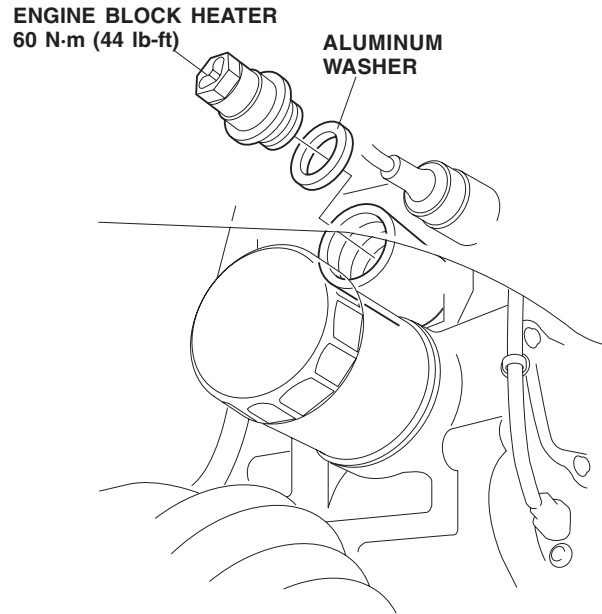
- Remove the front bumper (six large clips, four small clips, and four self-tapping screws). Set it on a blanket while installing the engine block heater.



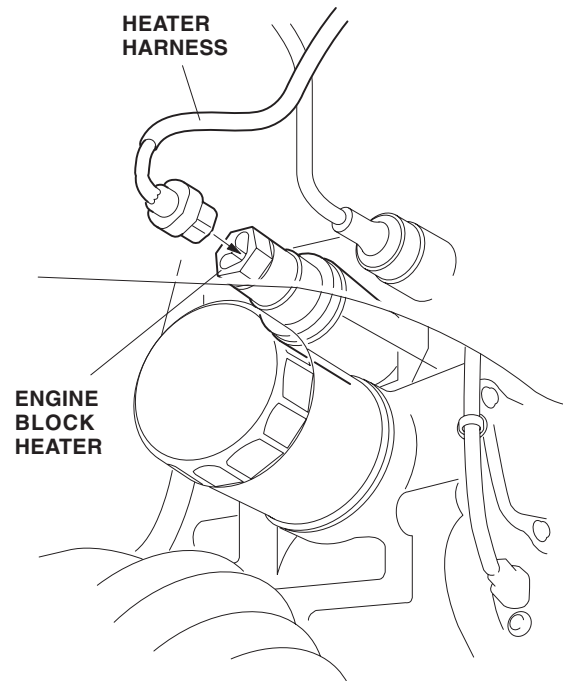
- Remove the drain bolt with the washer from the rear of the engine block near the oil filter. Coolant remaining in the engine jackets will flow out of the bolt hole when the bolt is removed. Retain the drain bolt and washer to be used if the engine block heater is removed. Do not hit the drain bolt against the brake line when removing the drain bolt.



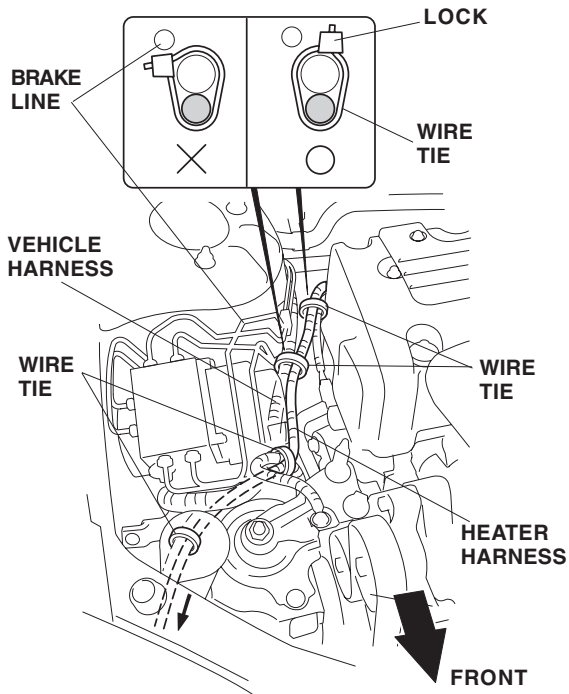
- Install the new aluminum washer and the engine block heater into the bolt hole using a 24 mm socket and a torque wrench. Torque the engine block heater to 60 N·m (44 lb-ft).



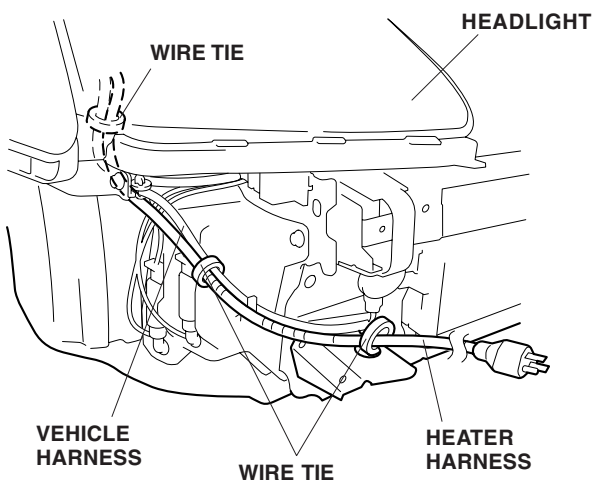
- Plug the connector of the heater harness into the engine block heater.



7. Route the heater harness alongside the vehicle harness, and secure the heater harness to the vehicle harness with four wire ties.
 - Do not allow the heater harness to interfere with the brake line when securing the heater harness with the wire ties.
 - Position the lock ends of the wire ties on the engine side.

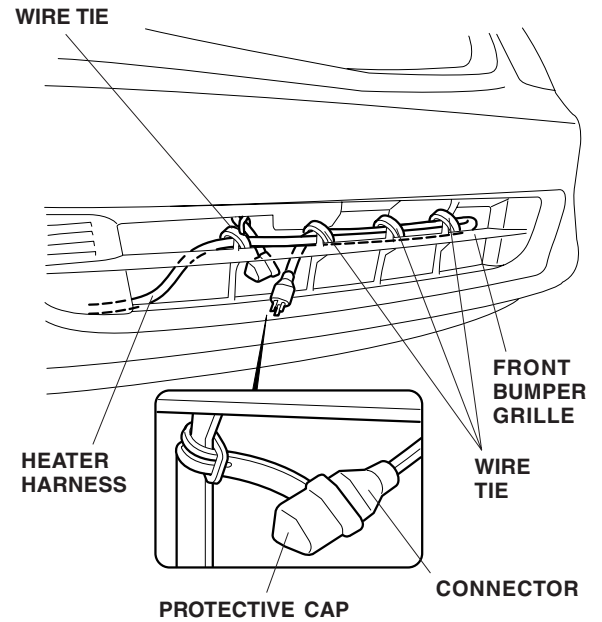


8. Continue routing the heater harness toward you, and secure the heater harness to the vehicle harness with two wire ties and to the hole of the panel with one wire tie as shown.



9. Reinstall the front bumper.

10. Attach the protective cap to the bumper grille, and plug the connector of the heater harness into the protective cap.



11. Secure the heater harness to the bumper grille with four wire ties as shown.
12. Reinstall the radiator drain plug.
13. Fill the system with the recommended coolant. Follow the instructions described in the service manual.
14. Check the coolant reservoir for correct level and signs of leakage. Repair as necessary.
15. Check that the heater harness is routed properly and all connectors are plugged in.
16. Put the drain bolt and washer (removed in step 4) in the glove box.