



# INSTALLATION INSTRUCTIONS

Accessory

AIR OUTLET TRIM KIT

Application

2005 CIVIC HYBRID

Publications No.

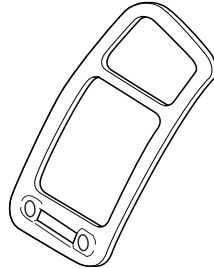
All 28009

Issue Date

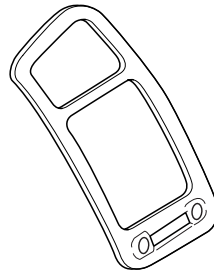
SEP 2004

## PARTS LIST

Right outlet panel



Left outlet panel



## TOOLS REQUIRED

Isopropyl alcohol

Shop towel

Masking tape

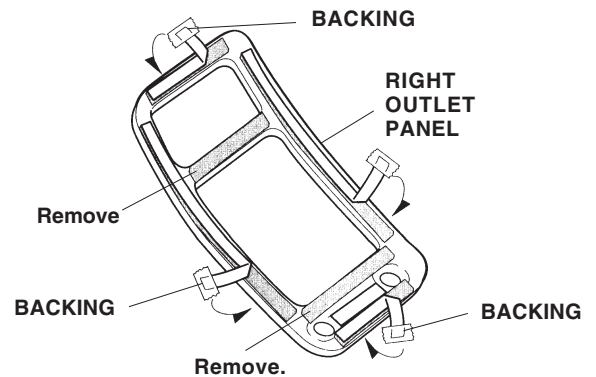
## INSTALLATION

### NOTE:

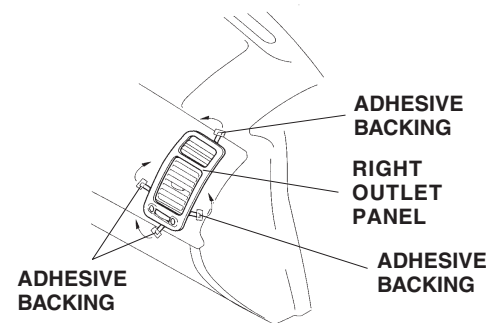
- The outlet panels are marked R or L on the back for identification.
- Be extremely careful not to damage the panel.
- The panel should only be installed if the ambient air temperature is 60°F (15°C) or above.
- Before installing the outlet panel kit, clean the area where the panels will attach with isopropyl alcohol. Allow the area to dry before installing the panels.

1. Position the right outlet panel onto the right outlet to confirm the location.

2. Attach masking tape to each end of the outer backing of the right outlet panel, and tape each one to the front surface of the right outlet panel. Remove all other backings.



3. Align the right outlet panel to the correct position. Lightly press to glue on. While removing the backing, hold the panels firmly against the existing panels for at least 30 seconds to attach securely.



4. Attach the left outlet panel in the same way as the right outlet panel.

## USE AND CARE

- Use a soft cloth or sponge, dampened with a mild detergent and water solution, to clean the panel. Do not use polishing waxes containing abrasive compounds or degreasing agents to clean the panel.
- Do not place an aromatic air freshener near the panel.
- Be sure to give this information to your customer when delivering the vehicle.