



INSTALLATION INSTRUCTIONS

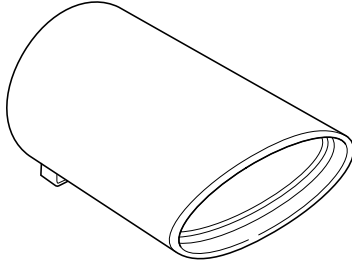
Accessory
CHROME EXHAUST PIPE FINISHER
CHROME: P/N 08F53-S5D-100
GOLD: P/N 08F53-S5D-100F

Application
2005 CIVIC HYBRID

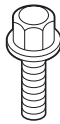
Publications No.
All 27997
Issue Date
AUG 2004

PARTS LIST

Exhaust pipe finisher



Flange bolt, 6 x 14 mm



TOOLS REQUIRED

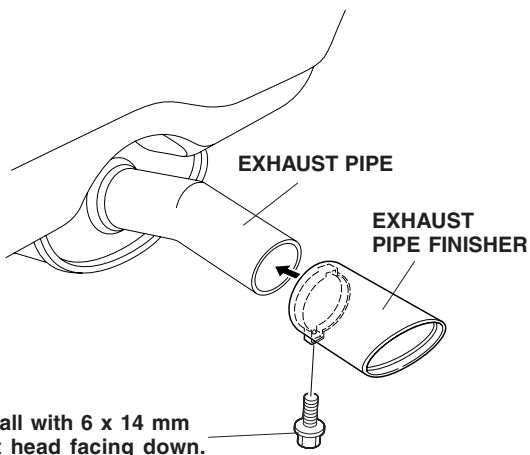
10 mm Combination wrench

Torque wrench

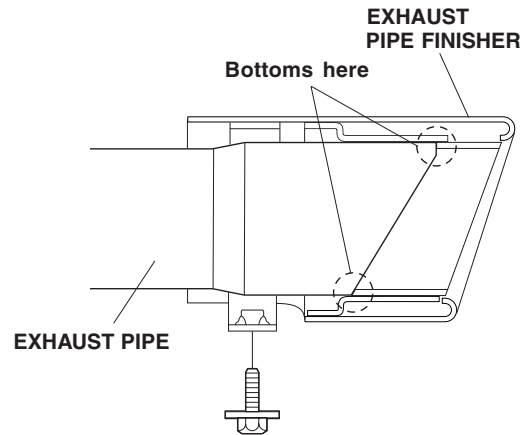
10 mm Socket

INSTALLATION

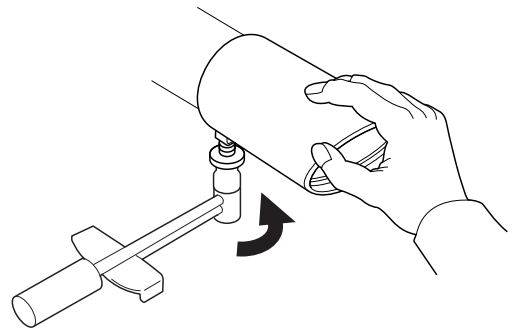
1. Allow the exhaust pipe to cool down before you install the exhaust pipe finisher.
2. Remove the original exhaust pipe finisher.
3. Partially thread the 6 mm flange bolt up into the exhaust pipe trim.



4. With the 6 mm flange bolt head facing down, slide the exhaust pipe finisher onto the exhaust pipe until it bottoms against the exhaust pipe.



5. While pushing the exhaust pipe finisher firmly against the exhaust pipe, torque the 6 x 14 mm flange bolt to 10 N·m (7 lb-ft).



6. Start the engine, and rev it up a few times. Listen for any rattling noise coming from the exhaust pipe finisher, and adjust it if necessary.