



INSTALLATION INSTRUCTIONS

Accessory

REAR WING SPOILER

Application

2005 CIVIC
2-DOOR

Publications No.

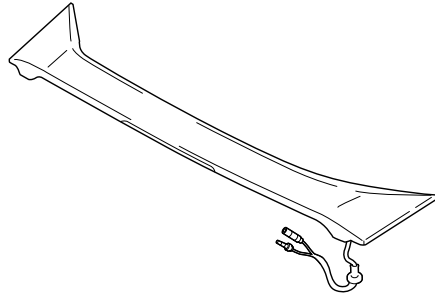
All 27883

Issue Date

AUG 2004

PARTS LIST

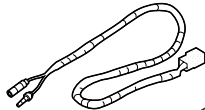
Rear wing spoiler



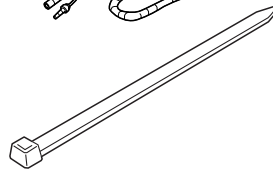
4 Cap nuts



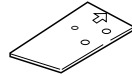
Spoiler harness



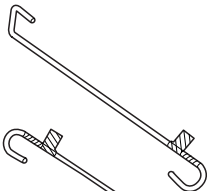
12 Wire ties



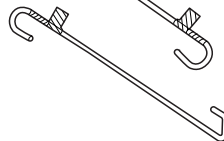
Template



Left trunk spring
(marked white or yellow)



Right trunk spring
(marked blue)



TOOLS AND SUPPLIES REQUIRED

Shop towel

Small flat-tip screwdriver

Eye protection (face shield, safety goggles, etc.)

Drill

3 mm, 6 mm, and 10 mm Drill bits

Drill stop

10 mm Combination wrench

Felt-tip pen

Center-punch

File

Touch-up paint

Hammer

Piece of wire

10 mm Socket

Torque wrench

Heavy gloves

Clip remover

Trunk Spring Installer/Remover:

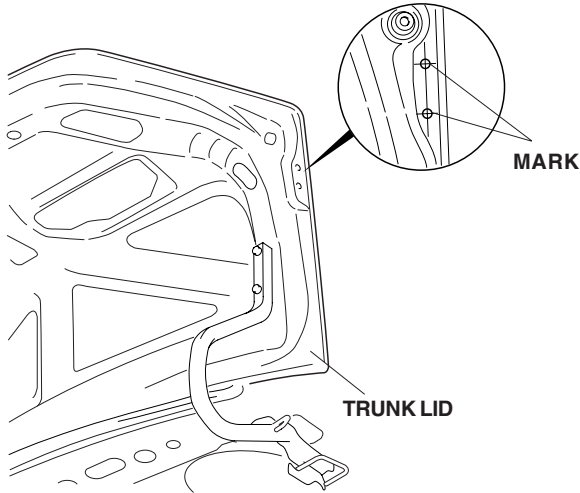
T/N 07AAE-SDAA100

INSTALLATION

Customer Information: The information in this installation instruction is intended for use only by skilled technicians who have the proper tools, equipment, and training to correctly and safely add equipment to your vehicle. These procedures should not be attempted by "do-it-yourselfers."

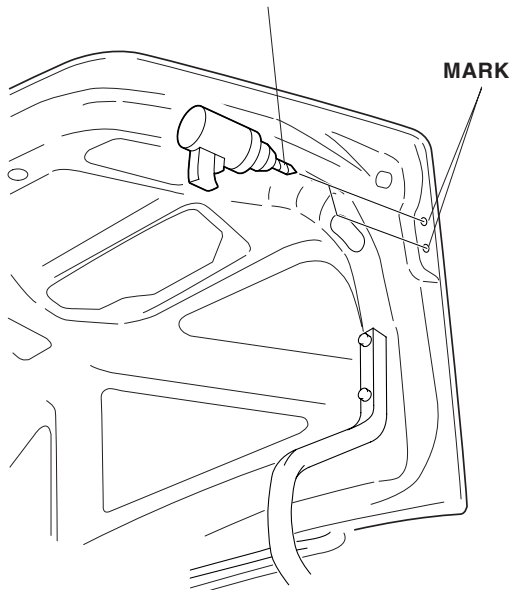
Installing the Rear Wing Spoiler

1. Inside the trunk lid, locate the two identification marks on the trunk lid. If necessary, scrape away the seam sealer so you can see the outline of the marks. Mark and lightly center-punch the center of the marks. Repeat on the other side.

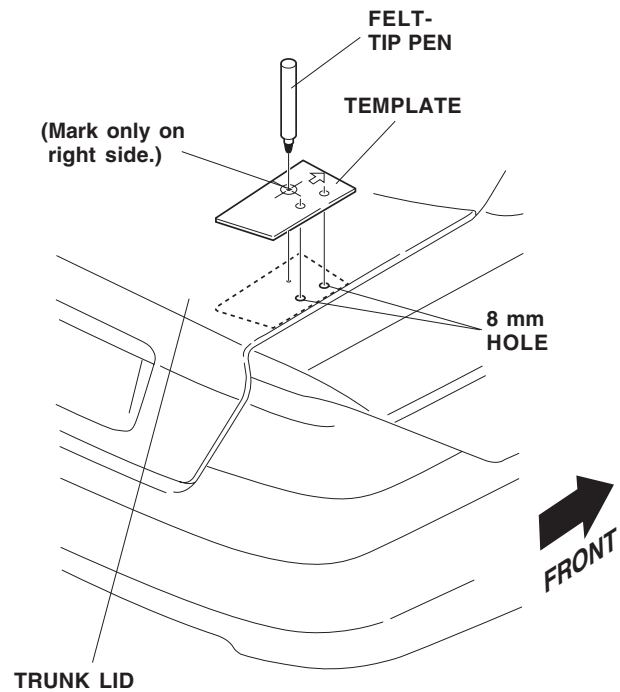


2. Have an assistant hold the trunk lid open. While wearing eye protection, drill an 8 mm hole through each mark:
 - First drill with a 3 mm bit, then with a 6 mm bit, and finally with an 8 mm bit.
 - Remove all burrs and metal shavings, and apply touch-up paint to the edges of the holes.
 - Repeat on the other side.

First drill with a 3 mm bit, then with a 6 mm bit, and finish with an 8 mm bit.

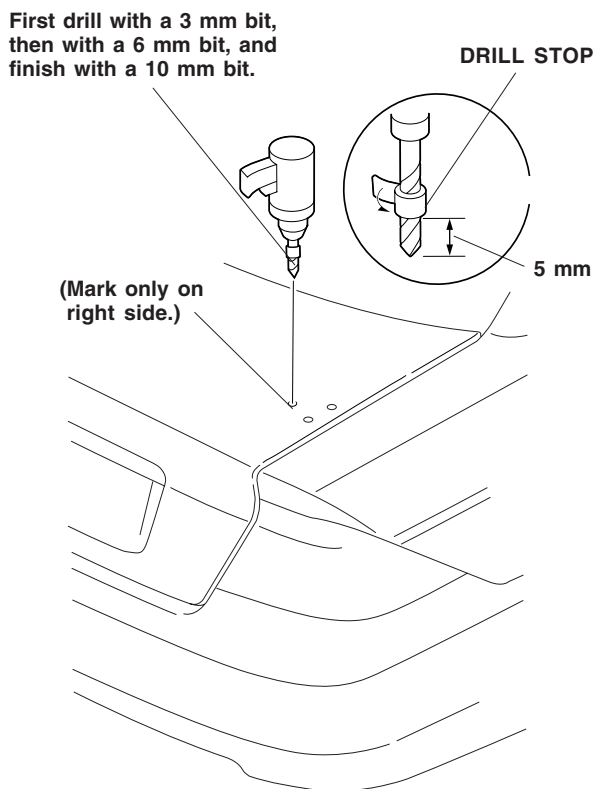


3. When the touch-up paint is dry, clean the area to be covered, and wax it with a high-quality paste wax.
4. Close the trunk lid. Position the template, printed side up, on the right (passenger's side) edge of the trunk lid. Align the two outer holes in the template with the two holes in the trunk lid. Using a felt-tip pen, mark the trunk lid as indicated on the template for the hole needed to route the spoiler harness through the trunk lid. The left side of the trunk lid does not need a hole.

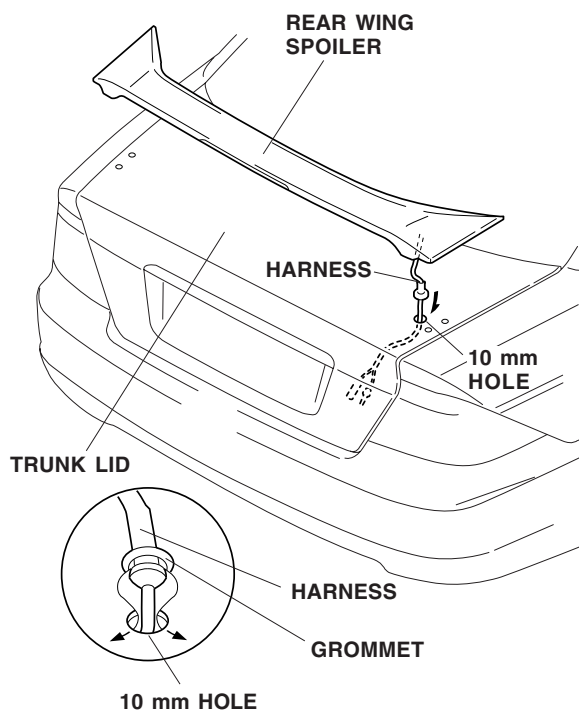


5. Remove the template, and lightly center-punch the mark.

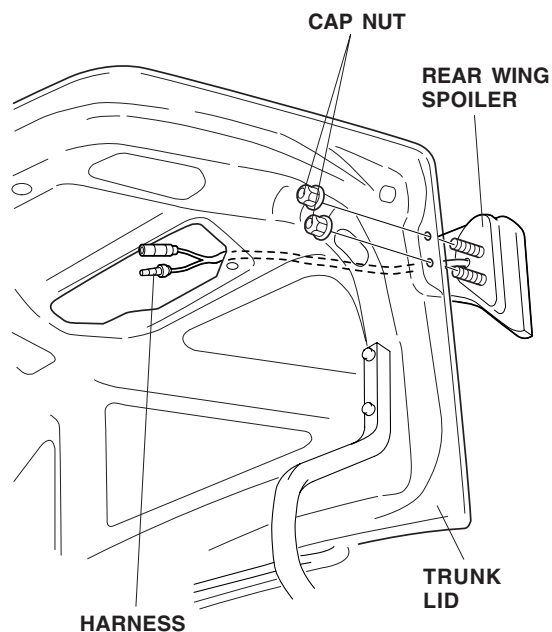
6. While wearing eye protection, drill a 10 mm hole in three stages at the center-punched mark through the outer skin of the trunk lid; use a drill stop to avoid drilling through the inner panel:
 - First drill with a 3 mm bit, then with a 6 mm bit, and finish with a 10 mm bit.
 - Remove all burrs and metal shavings, and apply touch-up paint to the edge of the hole you drilled.



7. Hold the rear wing spoiler above the trunk, and route the harness of the rear wing spoiler down through the 10 mm hole you just drilled. Attach the grommet of the rear wing spoiler harness to the 10 mm hole.



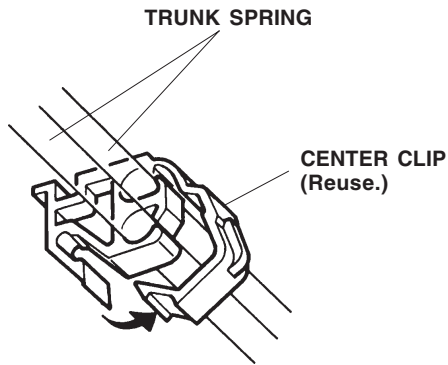
8. Position the trunk spoiler onto the trunk lid, and install the four cap nuts. Torque the cap nuts to 7 to 10 N·m (5 to 7 ft-lb).



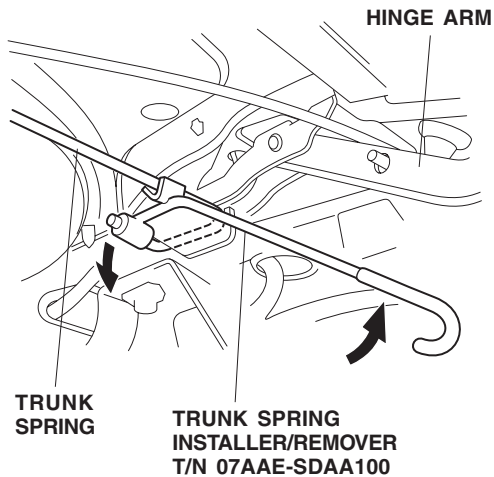
9. Route the harness of the rear wing spoiler inside the trunk lid.

Installing the Trunk Spring

10. Remove the center clip from the trunk springs.

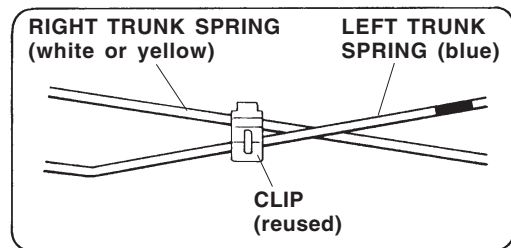
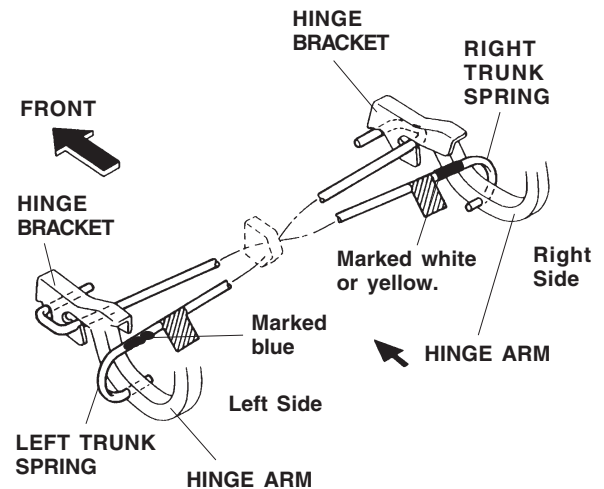


11. With an assistant holding the trunk lid open, remove the old trunk springs from the trunk lid hinge using the special tool. Wear heavy gloves to protect your hands, and pull the special tool slowly and carefully toward you.



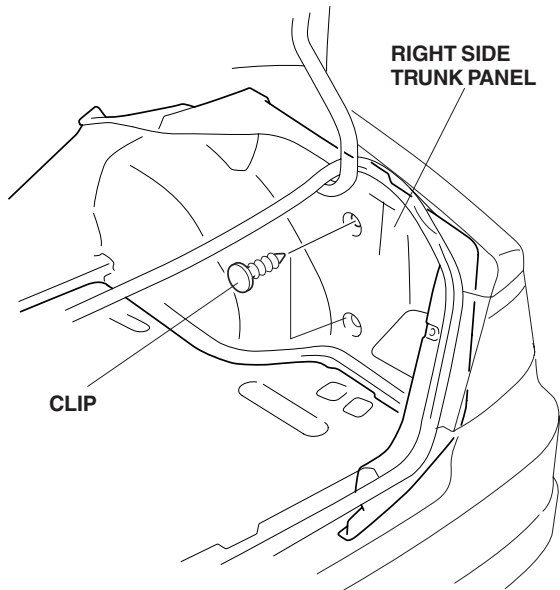
12. Install the right trunk spring and the left trunk spring in the reverse order of removal:

- Set the tool on the marked end of each trunk spring.
- Install the white or yellow-marked spring in the slot into the right (passenger's) side trunk hinge arm and into the hinge bracket on the left (driver's) side of the vehicle. Install the blue-marked spring in the slot into the left (driver's) side trunk hinge arm and into the hinge bracket on the right (passenger's) side of the vehicle.
- Wearing gloves, rotate the tool as you pull it toward you.
- Set the springs in the first notch (original position) of the hinge brackets.
- Reinstall the center clip on the trunk springs.

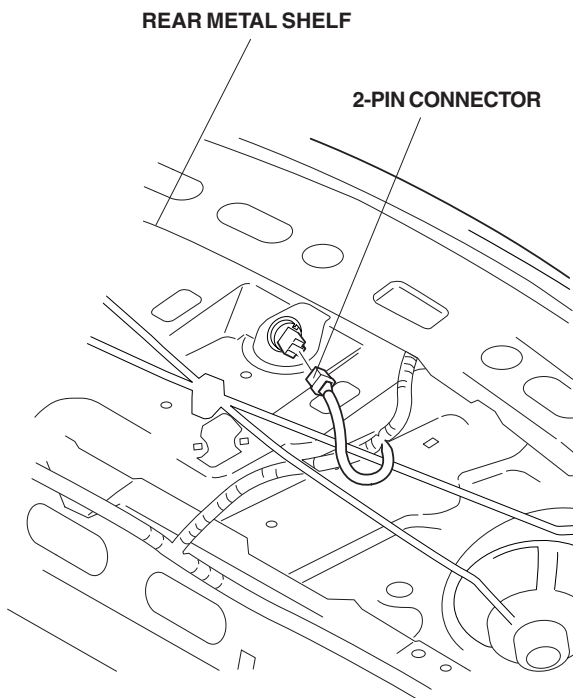


Routing the Wire Harness

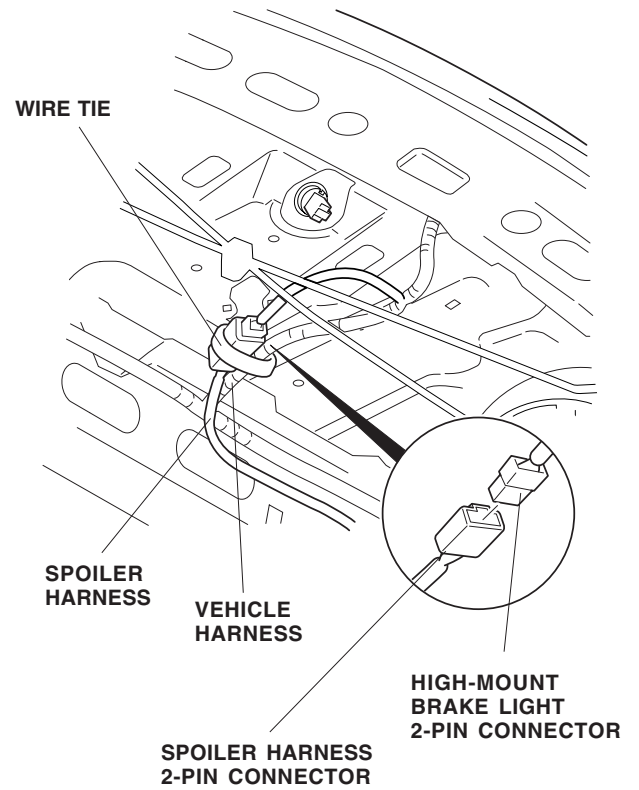
13. Remove the two clips on the right side trunk panel.



14. Unplug the 2-pin connector of the high-mount brake light from the rear metal shelf.

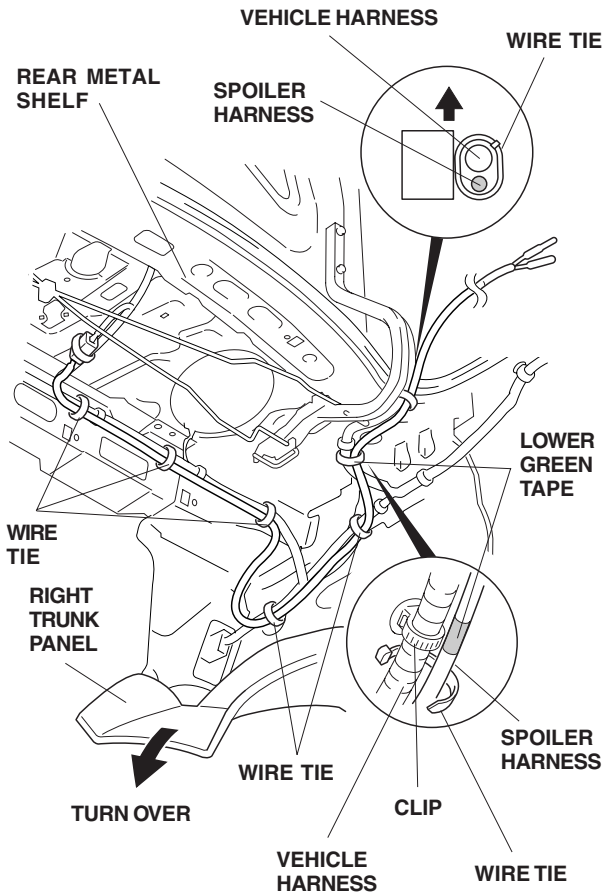


15. Route the 2-pin connector from the high-mount brake light above the trunk springs, and plug it into the 2-pin connector of the spoiler harness.



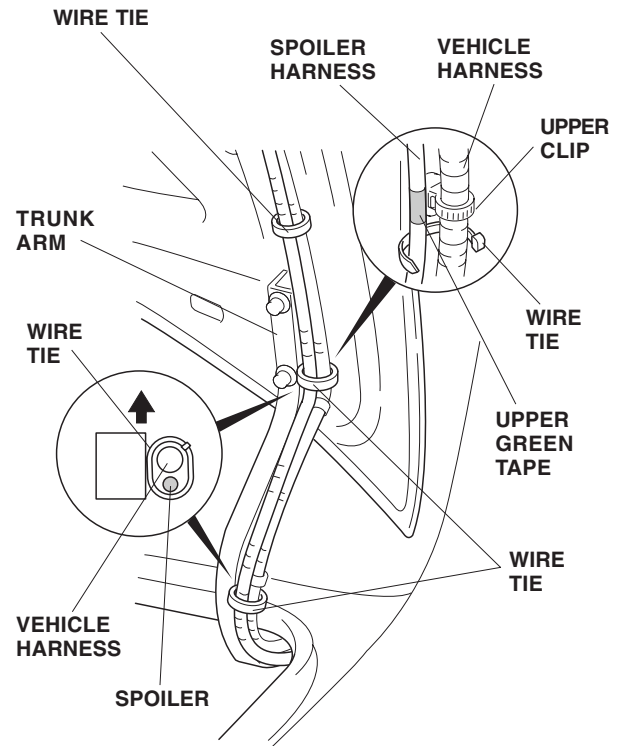
17. Secure the 2-pin connector to the vehicle harness with one wire tie in the area shown.

18. Gently pull down the right trunk panel, and locate the clip on the vehicle harness that is attached to the rear metal shelf. Align the lower green tape on the spoiler harness with the clip on the vehicle harness, and secure the spoiler harness to the vehicle harness with one wire tie in that area.



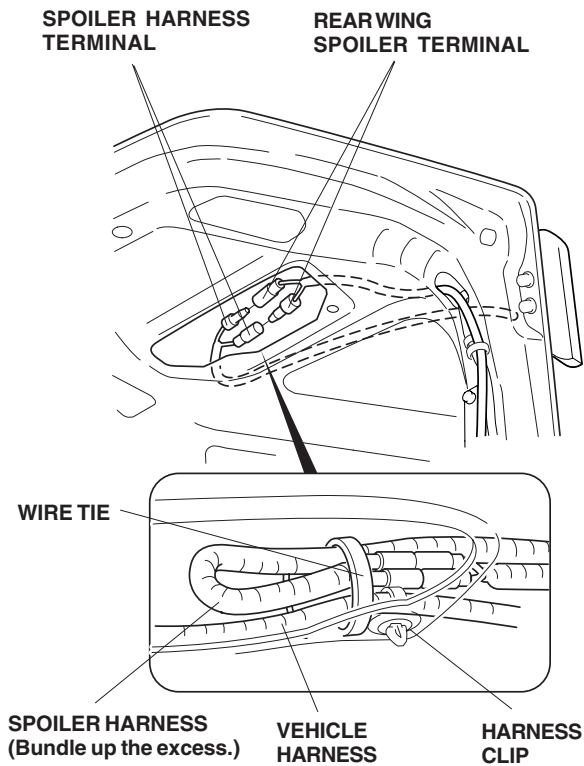
19. Route the spoiler harness along the vehicle harness, and secure it with six wire ties in the areas shown.

20. Continue routing the spoiler harness up the trunk arm and along the vehicle harness.



21. Align the upper green tape on the spoiler harness with the upper clip on the vehicle harness, and secure the spoiler harness to the vehicle harness with one wire tie in the area shown.
22. Secure the spoiler harness with two additional wire ties in the areas shown.

23. Route the terminal ends on the spoiler harness inside the trunk lid. Plug the spoiler harness terminals into the rear wing spoiler harness terminals.



24. Bundle up the excess wire harness, and secure it to the vehicle harness inside the trunk lid with one wire tie. Attach the wire tie near the harness clip.
25. Check that all wire harnesses are routed properly and all connectors are plugged in.
29. Press the brake pedal, and check that the spoiler brake light comes on.
30. Reinstall all removed parts.

Use and Care of the Spoiler

- Handle the spoiler with care. It is not designed to absorb impact.
- Do not open or close the trunk lid by grasping the spoiler.
- Check the spoiler mounting nuts periodically, and retighten them if necessary.