



INSTALLATION INSTRUCTIONS

Accessory

SIDE UNDER SPOILER

Application

2005 CIVIC 2-DOOR

Publications No.

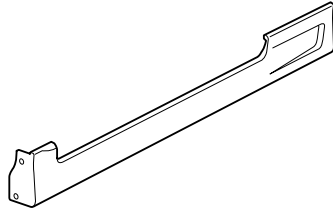
All 27888

Issue Date

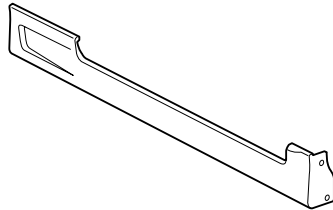
AUG 2004

PARTS LIST

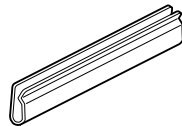
Left side under spoiler



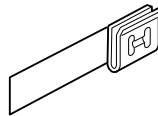
Right side under spoiler



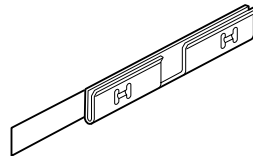
6 Plates



2 Clips A



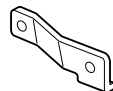
4 Clips B



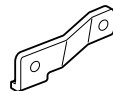
Template



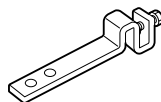
Left bracket A



Right bracket A



8 Brackets B



16 Screws



2 Clips



TOOLS AND SUPPLIES REQUIRED

Phillips screwdriver

Isopropyl alcohol

Shop towel

Felt-tip pen

Measuring tape

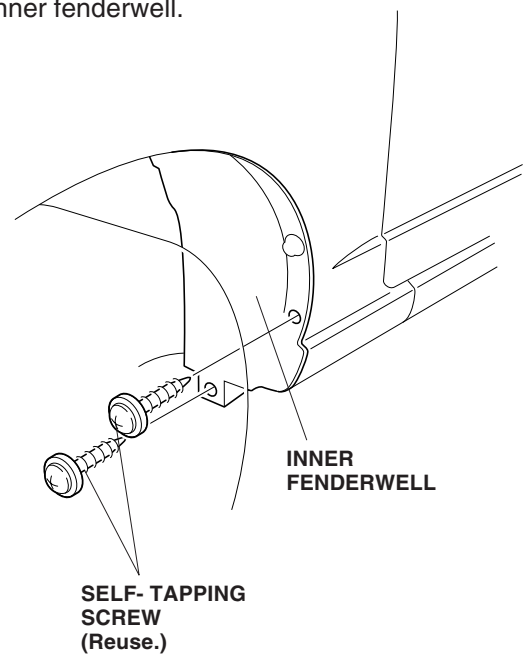
Masking tape

INSTALLATION

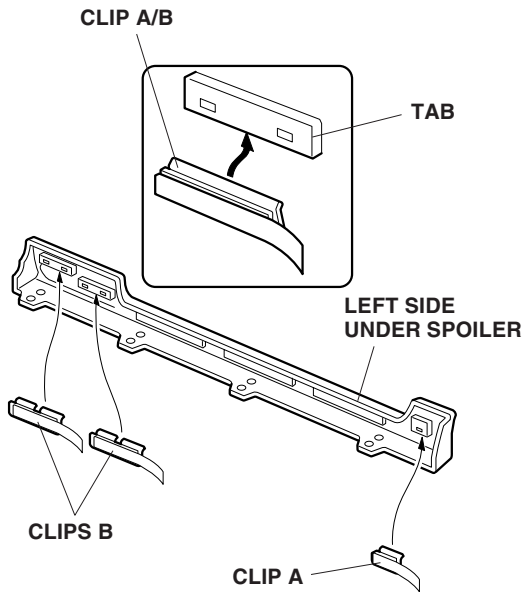
NOTE:

- Be careful not to damage the body finish, when installing side under spoiler.
- The side under spoiler should be installed only when the ambient air temperature is 60°F (15°C) or above.

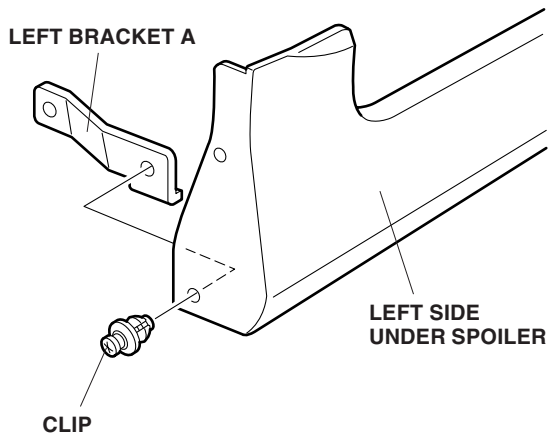
1. Turn the steering wheel all the way counterclockwise to provide access to the left front fenderwell.
2. Remove the two self-tapping screws from the inner fenderwell.



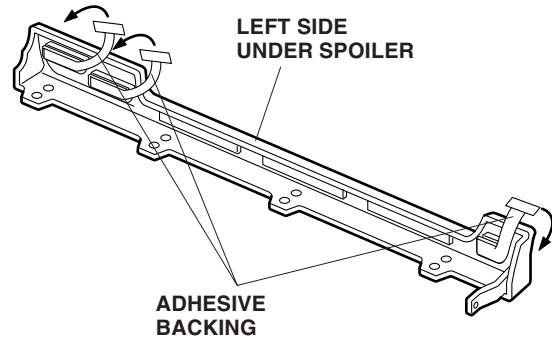
- Slide the clip A and clips B onto the tabs on the left side under spoiler until they "click" into place on the tabs.



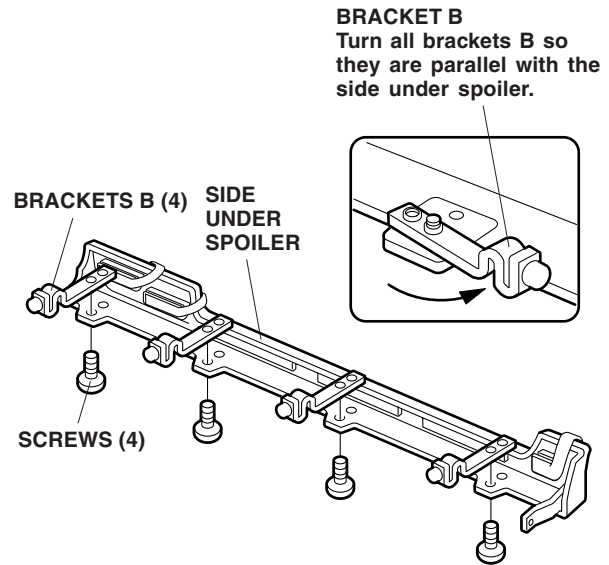
- Position the left bracket A on the front end of the left side under spoiler and secure it with a clip.



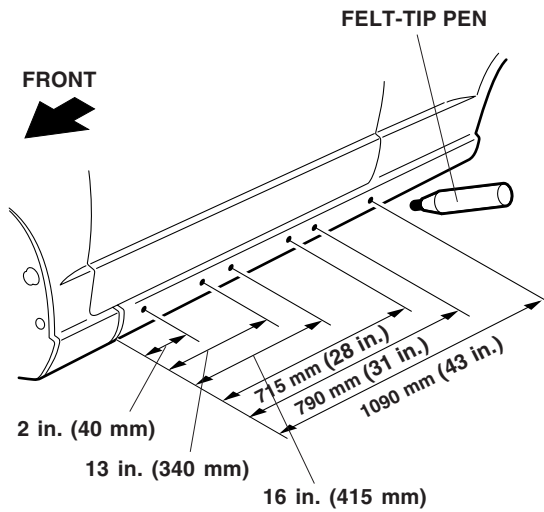
- Attach strips of masking tape to the ends of the adhesive backings on clip A and clips B; peel back about 1 to 2 inches of each backing. Fold the backings diagonally toward the outside, then temporarily attach them to the front of the spoiler with masking tape.



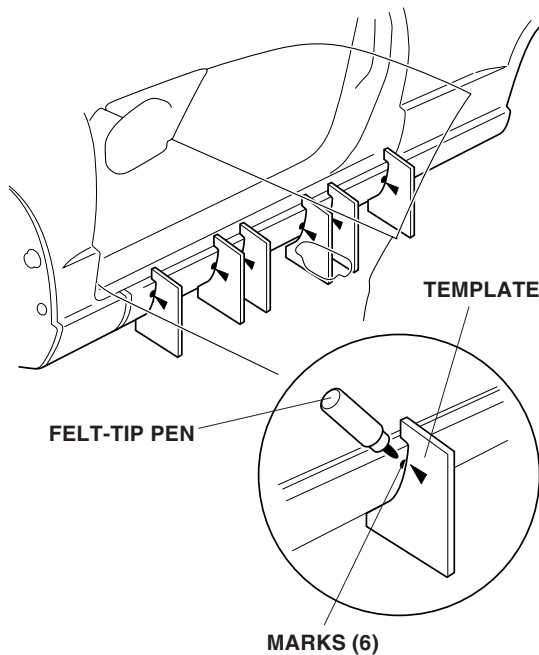
- Position the four brackets B on the left side under spoiler, and secure each bracket with one screw. Do not tighten the screws yet. Turn all brackets B so they are parallel with the side under spoiler as shown.



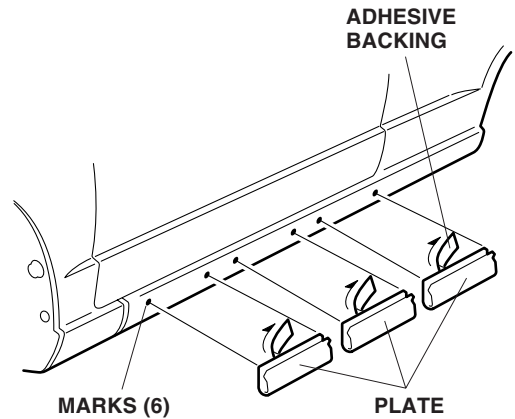
- Using the tape measure and felt-tip pen, measure and mark the body area shown.



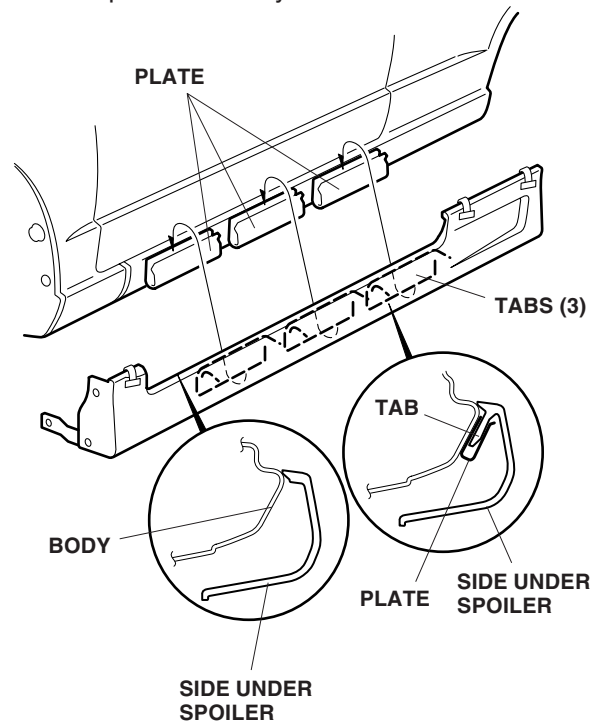
- Open the door, align the template with the mark and mark the body at the six locations as indicated by the arrow on the template.



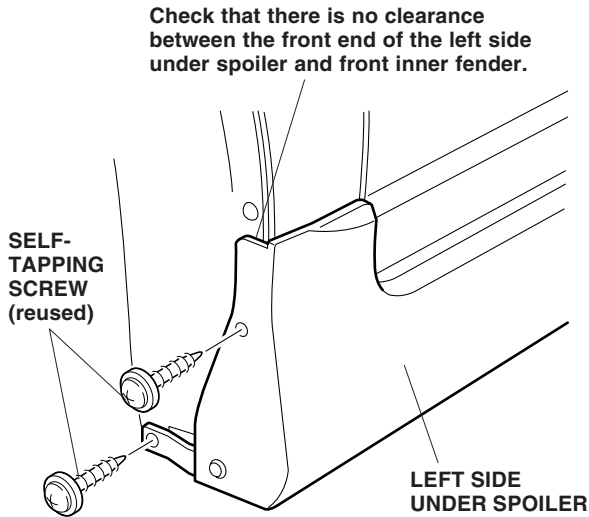
- Using isopropyl alcohol on a shop towel, clean the area where the plates will attach.



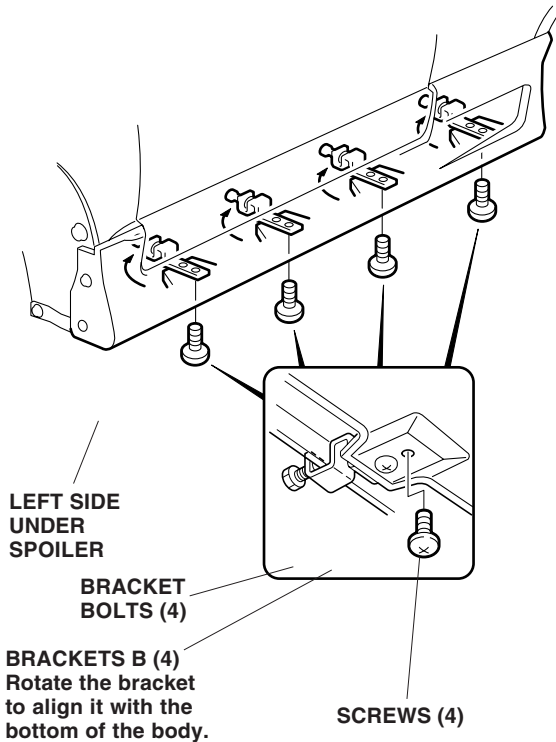
- Remove the adhesive backing from each plate.
- Align the three plates with the marks you just made in step 8, and attach the three plates to the body.
- Press the plate firmly against the body with palm of your hand for 30 seconds.
- Insert the three tabs on the side under spoiler into the three plates. Make sure you insert the tabs into the plates securely.



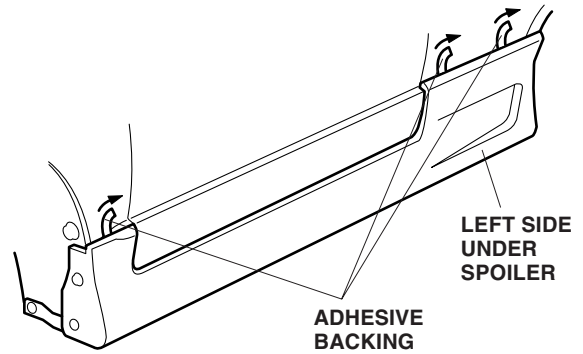
14. Align the front of the left side under spoiler with the front inner fender with no clearance.
15. Install the two self-tapping screws you removed in step 2 to the side under spoiler.



16. Align the four brackets with the bottom of the body by rotating them, and then install the four screws. Tighten all eight screws securely.
17. Tighten the four bracket bolts.



18. While holding light pressure on the left side under spoiler, carefully and slowly remove the adhesive backings. After installing, hold the spoiler firmly against the body with the palm of your hand for at least 30 seconds.



19. Turn the steering wheel all the way clockwise, and repeat steps 1 through 18 to install the right side under spoiler.

NOTE: After the side under spoiler kit is installed, tell your customer not to wash the vehicle for 24 hours to allow the adhesive time to cure.