



INSTALLATION INSTRUCTIONS

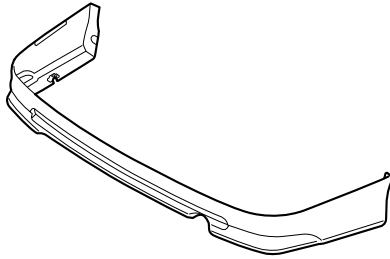
Accessory
REAR UNDER SPOILER

Application
**2005 CIVIC
2-DOOR**

Publications No.
All 27887
Issue Date
AUG 2004

PARTS LIST

Rear under spoiler



8 Step bolts



6 Clip nuts



4 Self-tapping screws



4 Spring nuts



2 Flange nuts



TOOLS AND SUPPLIES REQUIRED

Phillips screwdriver

Ratchet

10 mm Socket

Shop towel

Isopropyl alcohol

Masking tape

Drill

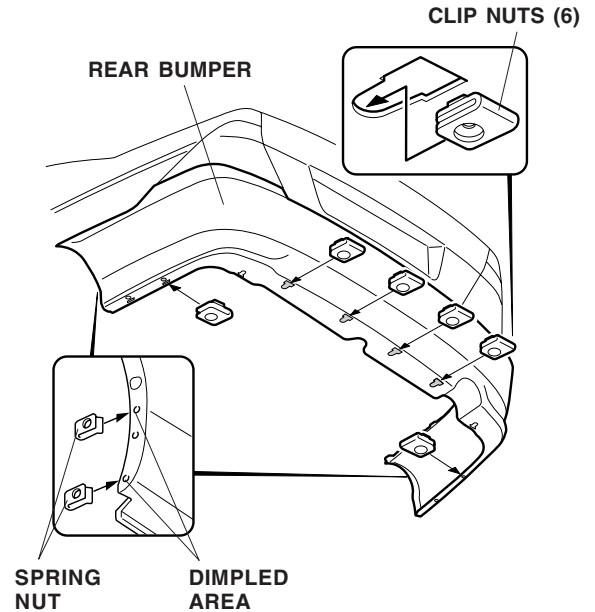
3 mm and 10 mm Drill bits

File

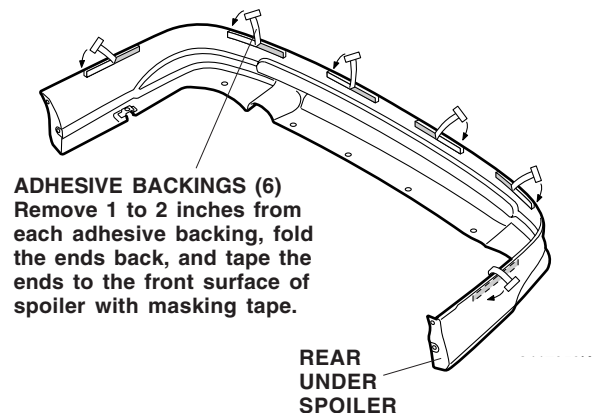
INSTALLATION

Customer Information: The information in this installation instruction is intended for use only by skilled technicians who have the proper tools, equipment, and training to correctly and safely add equipment to your vehicle. These procedures should not be attempted by "do-it-yourselfers."

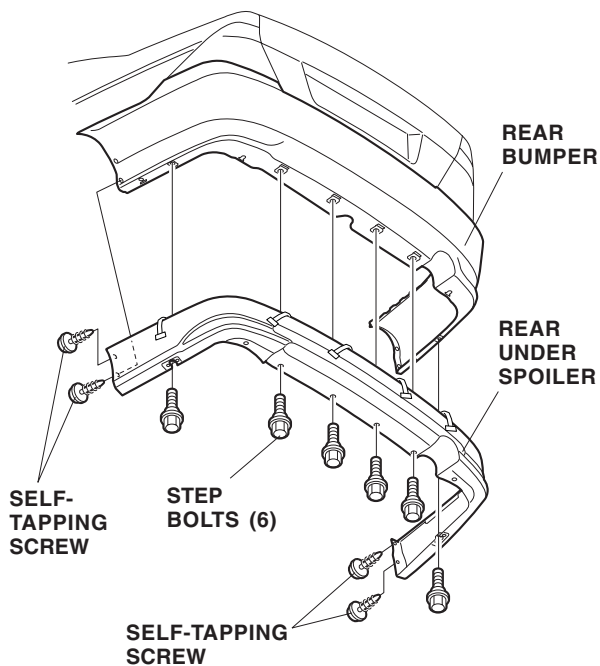
1. On the bottom edge of the rear bumper, locate the six cutouts (four at the rear and one on each side). Slide one clip nut into each of the six cutouts.



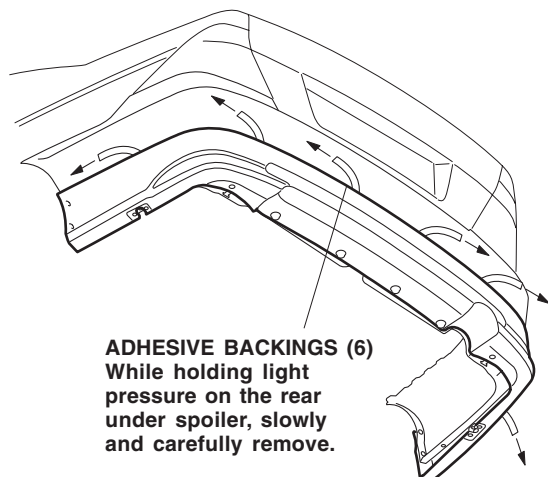
2. At the rear fenderwell, slide one spring nut over each dimple on the rear bumper (two on each side).
3. Inside the rear under spoiler, remove 1 to 2 inches of adhesive backing from the end of each adhesive tape; fold each adhesive backing over, and tape them to the front surface of the rear under spoiler with masking tape.



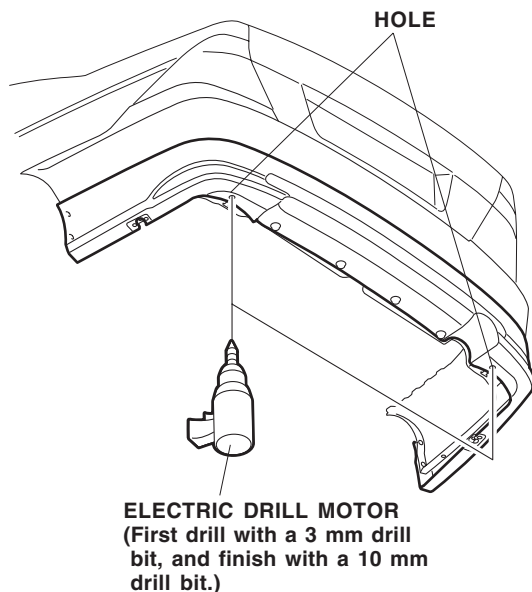
4. Using a isopropyl alcohol on a shop towel, clean the rear bumper where the adhesive strips will attach.
5. Position the rear under spoiler on the rear bumper and install the six step bolts, and four self-tapping screws. Tighten the six step bolts starting from the center and working toward the ends.



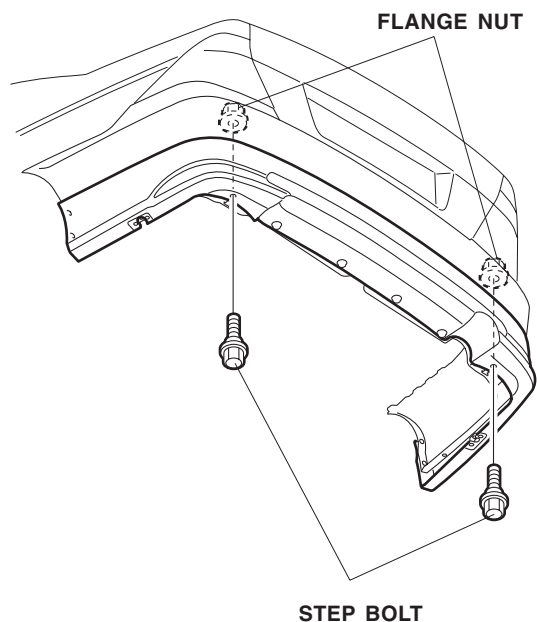
6. Hold the rear spoiler against the rear bumper at the fender area, install and tighten the two self-tapping screws. Repeat on the other side of the vehicle.
7. While holding light pressure on the rear under spoiler, slowly and carefully remove each adhesive backing.



8. Under the rear under spoiler locate the two holes in the spoiler. Center punch the bumper through each hole.



9. While wearing eye protection, drill a 10 mm hole through each center punched location.
 - First drill with a 3 mm drill bit, and finish with a 10 mm drill bit.
 - After drilling, remove any burrs from the edges of the holes.
9. Install one step bolt through each drilled hole, and install a flange nut. Securely tighten the step bolts.



Give a copy of this page to your customer

- Before towing this vehicle, follow the instructions described in the vehicle Owner's Manual.
- Before using the towing hook, make sure you remove both the rear bumper and rear under spoiler. Failure to follow this precaution can damage the rear bumper, rear under spoiler and vehicle.
- Your vehicle may look different from this illustration.

