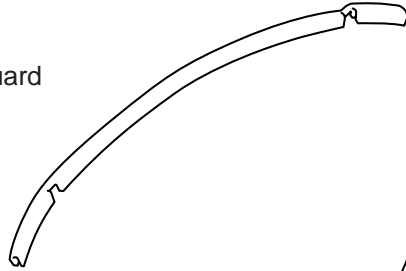
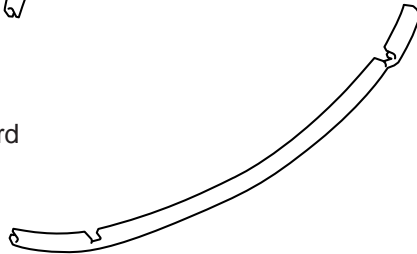


PARTS LIST

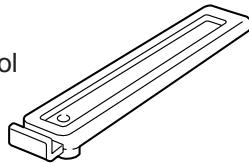
Right door edge guard



Left door edge guard



Hem sealant cutting tool

**TOOLS AND SUPPLIES REQUIRED**

Rubber mallet

Felt-tip pen

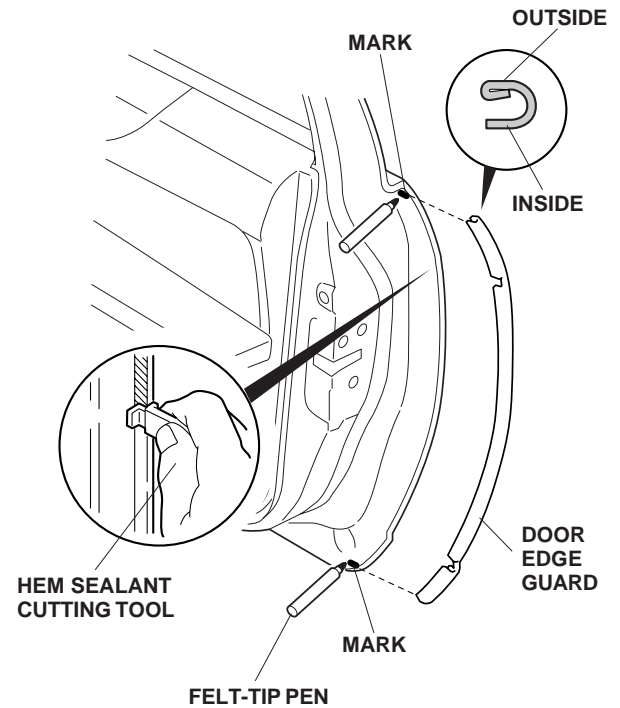
Touch-up paint

INSTALLATION

1. Clean and wax the area to be covered with a high-quality paste wax.
2. Identify each door edge guard by holding it up to the door and matching its contour with the door edge.

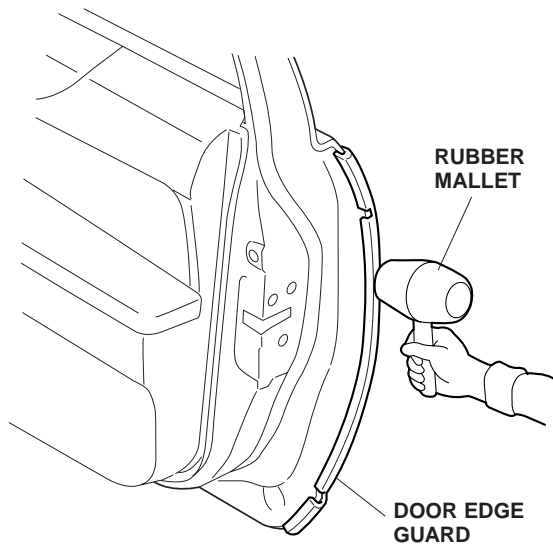
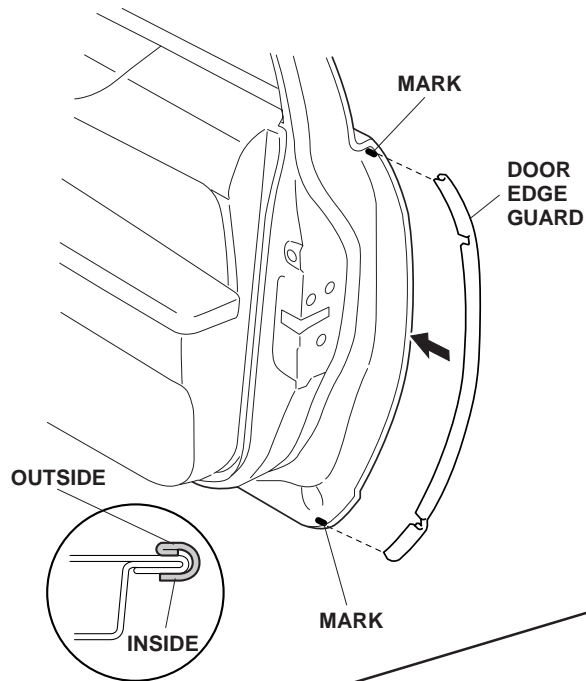
Installing the Front Door Edge Guards

3. Hold the guard against the inside edge of the door, and mark the sealant at the top and bottom of the ending points of the door edge guard.



4. Position the hem sealant cutting tool against the door edge as shown, and trim the hem flange sealant from mark to mark, top and bottom.

5. Apply touch-up paint to the door, and let it dry.
6. Position the door edge guard on the door edge, and tap it into position with a series of light taps using a rubber mallet.



7. Repeat steps 2 through 6 to install the other door edge guard.