



# INSTALLATION INSTRUCTIONS

Accessory

TRUNK SPOILER (LOW)

Application

2005 ACCORD  
4-DOOR

Publications No.

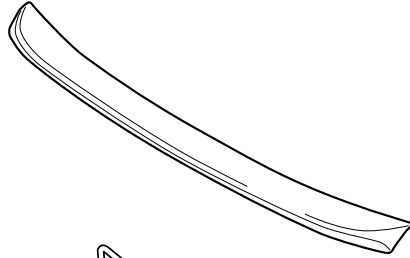
All 27503

Issue Date

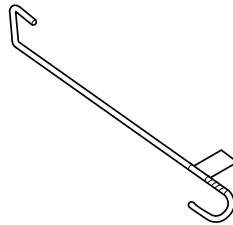
AUG 2004

## PARTS LIST

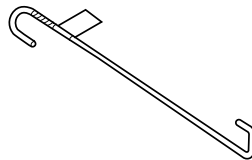
Trunk spoiler



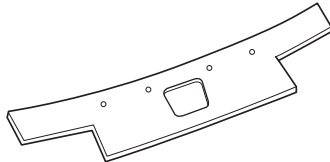
Right trunk spring  
(marked green)



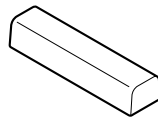
Left trunk spring  
(marked purple)



Template



2 Rubber cushions



2 Flange nuts



2 Washer bolts



## TOOLS AND SUPPLIES REQUIRED

Clip remover

Eye protection (face shield, safety goggles, etc.)

Drill

3 mm, 6.5 mm, and 8 mm Drill bits

Drill stop

File

Center punch

Touch-up paint

Ratchet

10 mm Socket

Torque wrench

Gloves

Trunk spring installer/remover:

T/N 07AEE-SDAA100

Masking tape

Felt-tip pen

Shop towel

Isopropyl alcohol

Tape measure

Utility knife

Scissors

## INSTALLATION

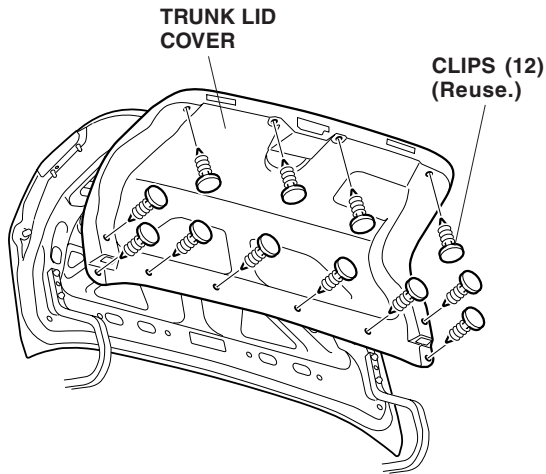
**Customer Information:** The information in this installation instruction is intended for use only by skilled technicians who have the proper tools, equipment, and training to correctly and safely add equipment to your vehicle. These procedures should not be attempted by "do-it-yourselfers."

### NOTE:

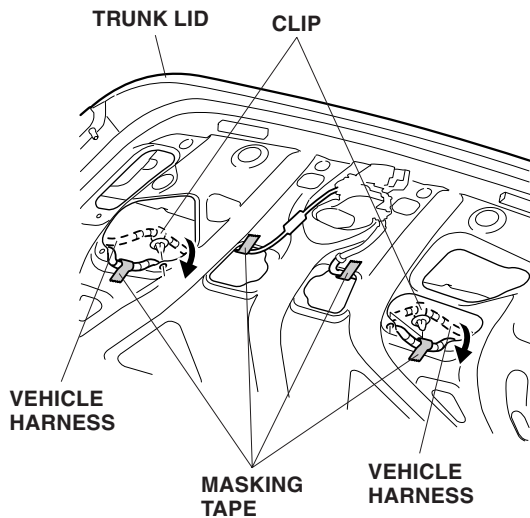
- Be careful not to damage the body paint finish.
- This trunk spoiler kit should be installed only if the ambient air temperature is 60°F (15°C) or above.
- Wash and wax the area to be covered with a high-quality paste wax.

## Installing the Trunk Spoiler

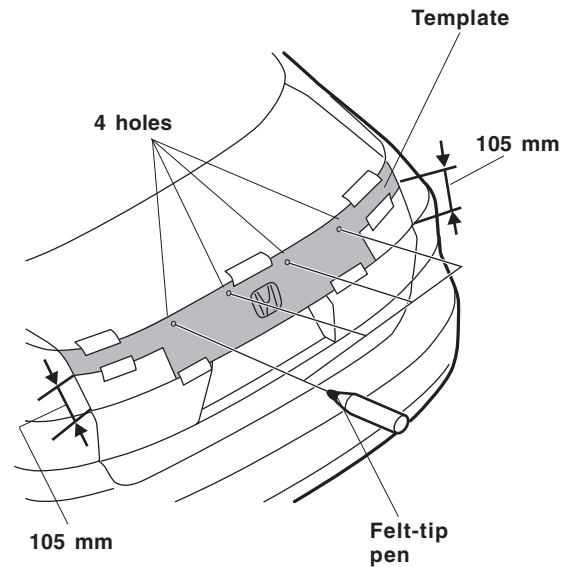
1. Open the trunk lid. If equipped, remove the trunk lid cover (12 clips).



2. Remove the two clips that secure the vehicle harnesses to the trunk lid, and tape the harnesses to the trunk lid with masking tape.

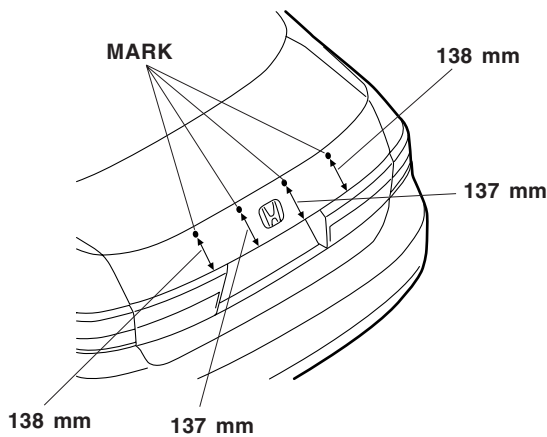


3. Close the trunk lid. Position the template on the trunk lid, and align the left and right ends of the template with the outer edges of the trunk lid. Make sure the lower edge of the template is at the lower edge of the trunk lid and, that there is a distance of 105 mm from the edge of the trunk lid to the bottom of the template on each side. When you are satisfied with the location, tape the template in place with masking tape.



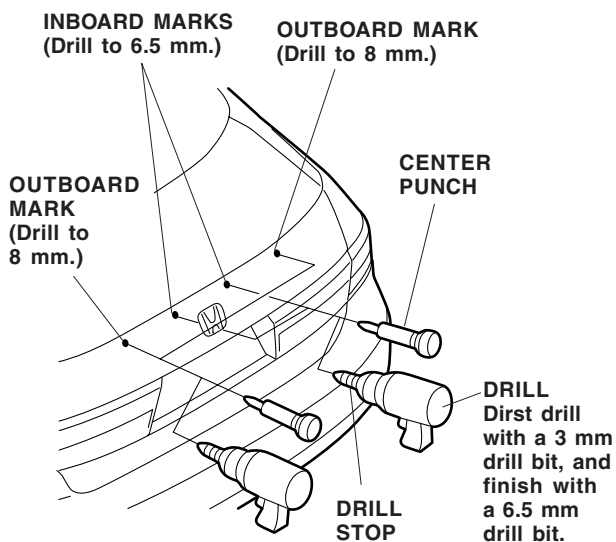
4. Using a felt-tip pen, mark the trunk lid through the four holes in the template. Remove the template.

- Measure from each mark to the bottom of the trunk lid, and verify that the inboard marks are 137 mm and the outboard marks are 138 mm. If necessary, repeat steps 3 and 4 to obtain the proper measurement.

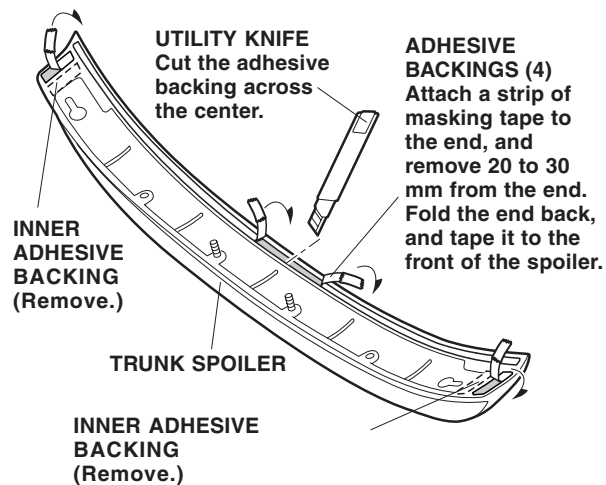


- Lightly center-punch the marks. While wearing eye protection, drill the two inboard holes to 6.5 mm; drill the two outboard holes to 8.0 mm.

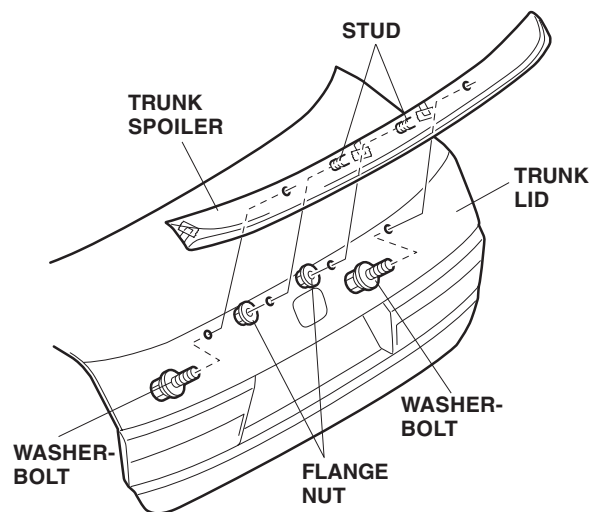
- Using a drill stop on the end of each bit, first drill the inboard marks with a 3 mm drill bit, and finish with a 6.5 mm drill bit.
- Using a drill stop on the end of each bit, first drill the outboard marks with a 3 mm drill bit, and finish with an 8 mm drill bit.
- Take care not to damage the wire harnesses when drilling the holes.
- After drilling, remove any burrs from the edges of the holes with a file and apply touch-up paint to the holes on both sides of the trunk lid. Allow the touch-up paint to dry thoroughly before proceeding to the next step.



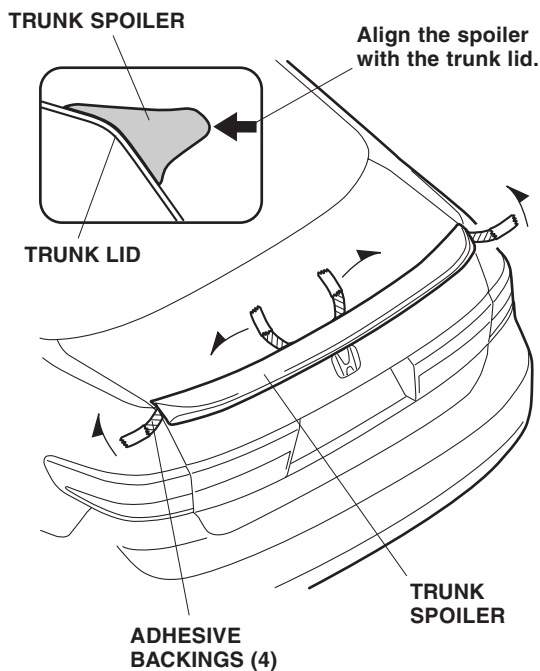
- On the inside of the trunk spoiler, cut the front adhesive backing across the center with a utility knife. Attach strips of masking tape to the cut ends, and remove 20 to 30 mm of the front adhesive backing. Fold the ends back, and tape them to the front of the spoiler. If the spoiler has inner adhesive backings, remove them completely.



- Using isopropyl alcohol on a shop towel, clean the area where the trunk spoiler will attach.
- Fit the spoiler into position on the trunk lid by inserting the two studs into the holes in the trunk lid. With an assistant holding the trunk lid open, install a flange nut on the end of each stud. Install the two washer-bolts, but do not tighten them yet.



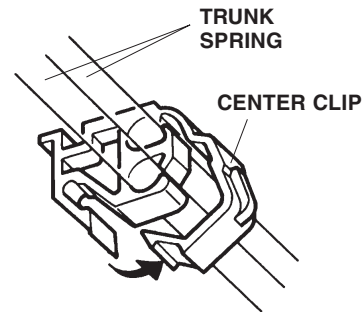
10. While aligning the trunk spoiler with the trunk lid, carefully remove the adhesive backing from both sides. Hold the spoiler firmly against the trunk lid with the palm of your hand for 30 seconds.



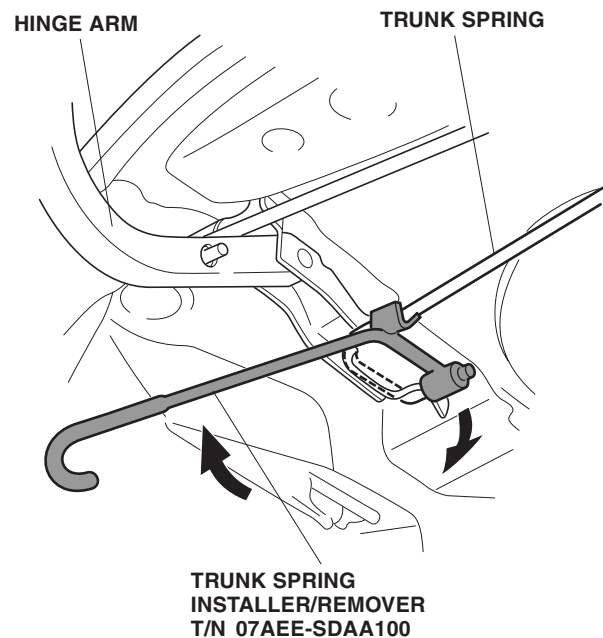
11. While holding pressure on the trunk spoiler, carefully remove the front adhesive backing. Hold the spoiler firmly against the trunk lid with the palm of your hand for 30 seconds.
12. Torque the two flange nuts and two washer-bolts to 9 N·m (7 lb-ft).
13. Again, hold the trunk spoiler firmly against the trunk lid over the adhesive tapes with the palm of your hand for 30 seconds.

## Installing the Trunk Spring

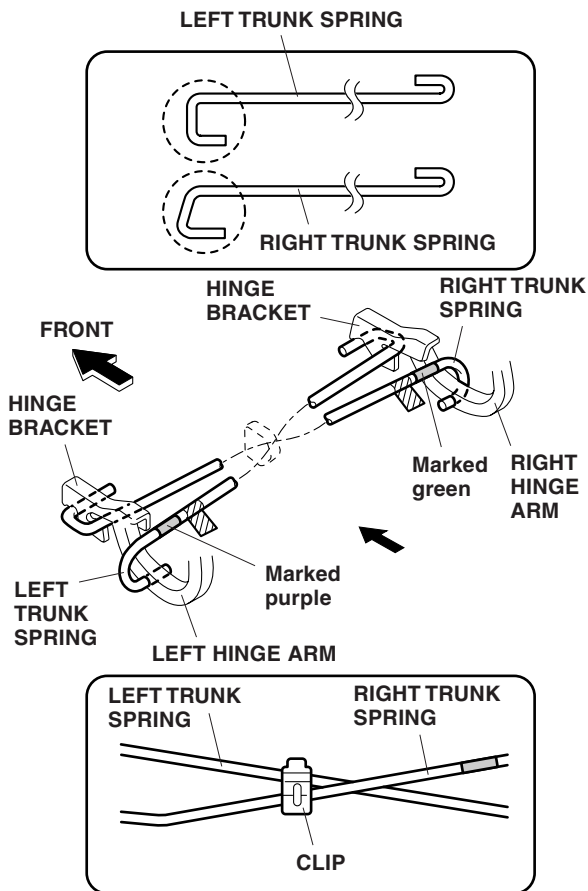
14. Open the trunk lid, and remove the center clip from the trunk springs.



15. With an assistant holding the trunk lid open, remove the old trunk springs from the trunk hinge arms using the special tool. Wear gloves to protect your hands, and pull the special tool slowly and carefully toward you.

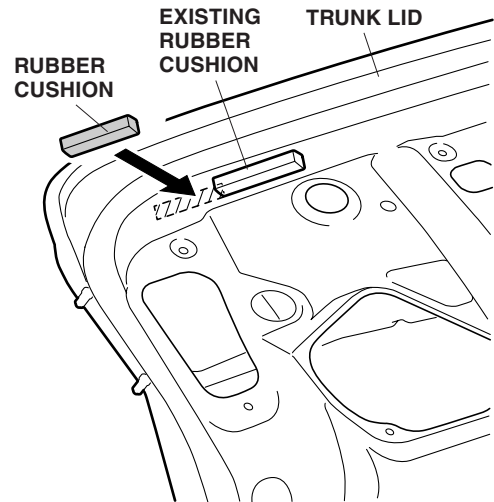


16. Install the right trunk spring and the left trunk spring in the reverse order of removal:
  - Set the tool on the marked end of each trunk spring.
  - Install the green-marked spring in the slot in the right (passenger's) side trunk hinge arm and to the hinge bracket on the left (driver's) side of the vehicle; install the purple-marked spring in the slot in the left (driver's) side trunk hinge arm and to the hinge bracket on the right (passenger's) side of the vehicle.
  - Wearing gloves, rotate the tool as you pull it toward you.
  - Set the springs in the first notch (original position) of the hinge brackets.



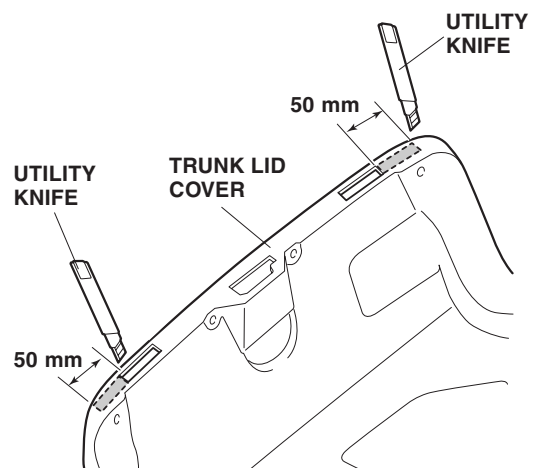
17. Reinstall the center clip on the trunk springs.

18. Using isopropyl alcohol on a shop towel, clean the areas where the rubber cushions will attach.
19. Remove the adhesive backing from the rubber cushion, and attach it to the inside panel of the trunk lid next to the existing rubber cushion. After attaching it, use the palm of your hand to hold pressure against it for 30 seconds. Repeat on the right side.



*If the vehicle was equipped with a trunk lid cover; continue with step 19; if not, go to step 20.*

20. Using a tape measure and felt-tip pen, measure and mark the trunk lid cover. Using a utility knife, cut out the marked areas from the trunk lid cover.



21. Reinstall all removed parts. Check that the clips are installed securely.
22. Open the trunk lid, and make sure the trunk lid stays open on its own. If the trunk lid begins to close, adjust the trunk springs to the second position.

#### **USE AND CARE**

- Handle the spoiler with care. It is not designed to absorb impact.
- Do not open or close the trunk lid by grasping the spoiler.
- Check the spoiler mounting nuts periodically, and retighten them if necessary.