



INSTALLATION INSTRUCTIONS

Accessory

WOOD-GRAIN TRIM KIT,
REAR CABIN
P/N 08Z03-S0X-100B

Application

2004 ODYSSEY

Publications No.

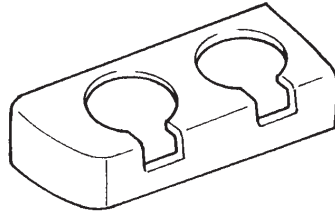
All 26038

Issue Date

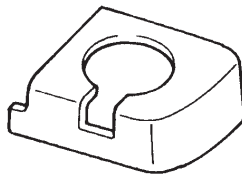
AUG 2003

PARTS LIST

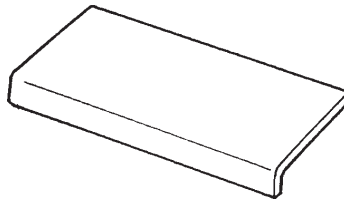
Right wood-grain cup holder trim



Left wood-grain cup holder trim



Left wood-grain cover trim



SUPPLIES REQUIRED

Isopropyl alcohol

Shop towel

INSTALLATION

NOTE: This wood panel kit should only be installed if the ambient air temperature is 60°F (15°C) or above.

1. Using isopropyl alcohol on a shop towel, thoroughly clean the mating surfaces where the three trim pieces will attach.

2. Remove the adhesive backings from the left wood-grain cup holder trim and the left wood-grain cover trim. Carefully position the left wood-grain cup holder trim and the left wood-grain cover trim on the left cup holder and cover. Apply light pressure against the center of the wood-grain cup holder trim and the cover trim.

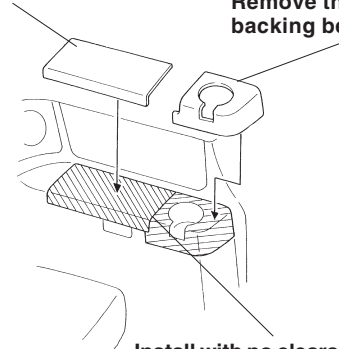
Without a Cup Holder Spacer:

LEFT WOOD-GRAIN COVER TRIM

Remove the adhesive backing before attaching.

LEFT WOOD-GRAIN CUP HOLDER TRIM

Remove the adhesive backing before attaching.



Install with no clearance between the trims when the lid is closed. Also check that the cover trim does not interfere with the cup holder trim when the lid is opened and closed.

With a Cup Holder Spacer:

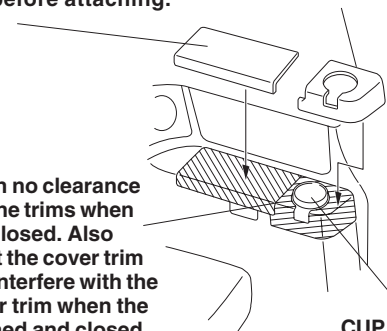
LEFT WOOD-GRAIN COVER TRIM

Remove the adhesive backing before attaching.

LEFT WOOD-GRAIN CUP HOLDER TRIM

Remove the adhesive backing before attaching.

Align the hole of the left cup holder panel with the cup holder spacer.



Install with no clearance between the trims when the lid is closed. Also check that the cover trim does not interfere with the cup holder trim when the lid is opened and closed.

CUP HOLDER SPACER

3. Remove the adhesive backing, and install the right wood-grain cup holder trim by applying light pressure at the center and at both ends.