



INSTALLATION INSTRUCTIONS

Accessory

**GOLD EMBLEM KIT
P/N 08F20-S0X-100A**

Application

2004 ODYSSEY

Publications No.

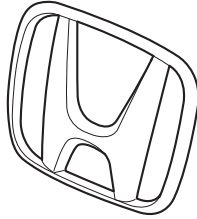
All 26012

Issue Date

AUG 2003

PARTS LIST

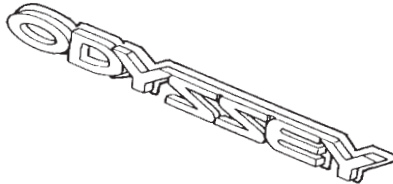
Front "H" emblem



Rear "H" emblem



Rear "ODYSSEY" emblem



2 Push nuts



TOOLS AND SUPPLIES REQUIRED

Phillips screwdriver
Flat-tip screwdriver
Diagonal cutters
Contact cleaner
Shop towel
String
Masking tape

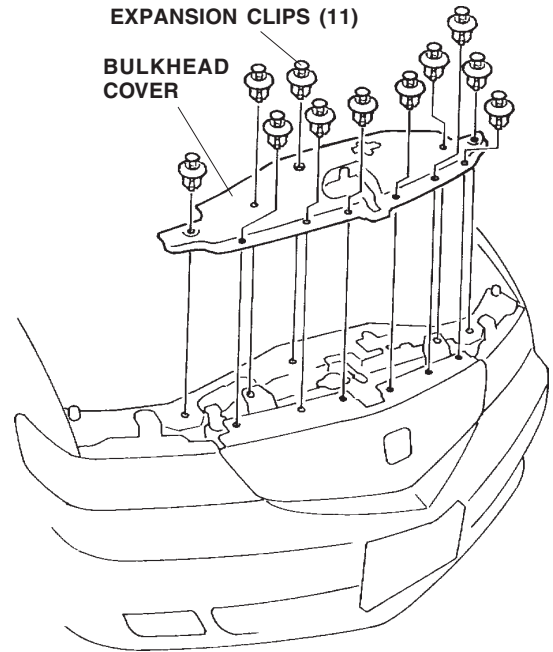
INSTALLATION

NOTE:

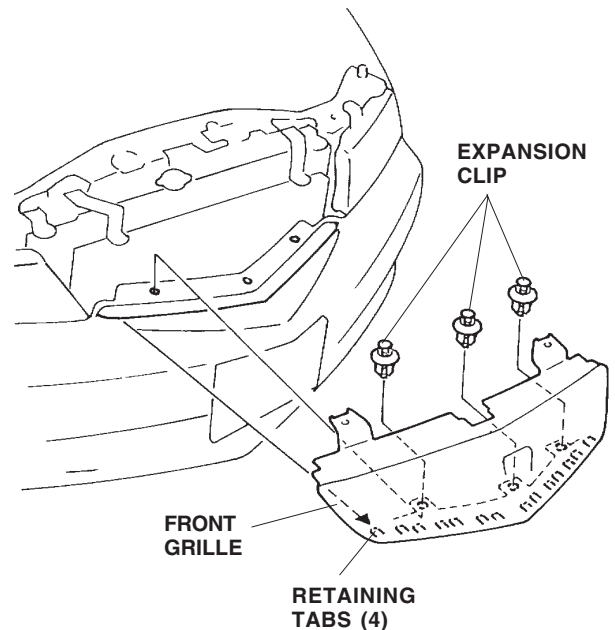
- Be careful not to damage the body finish when you remove and install the emblems.
- This emblem kit should be installed only when the ambient air temperature is 60°F (15°C) or above.
- To allow the adhesive to cure, do not wash the vehicle for 24 hours.

Installing the Front "H" Emblem

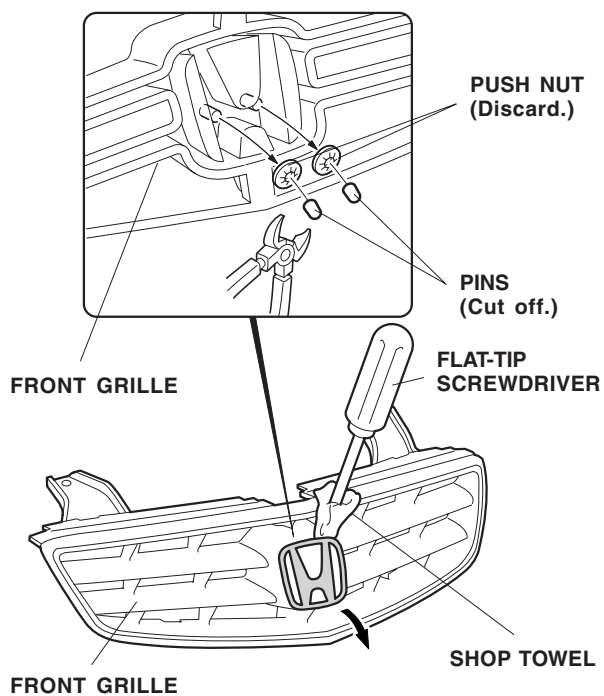
1. Open the hood, and remove the bulkhead cover (11 expansion clips).



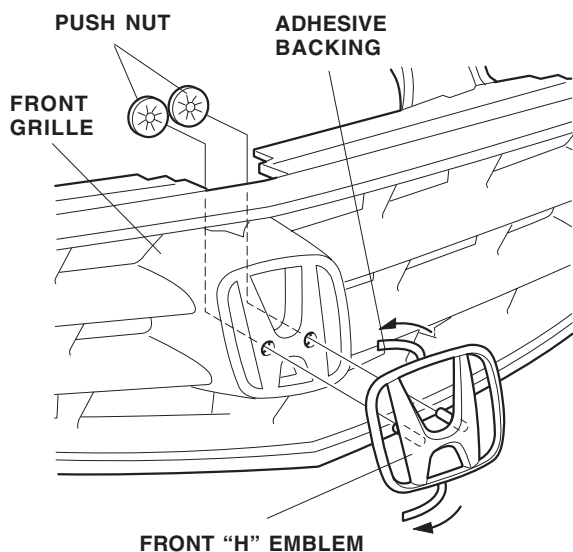
2. Remove the front grille by pulling it toward you (3 expansion clips and 14 retaining tabs). Take care not to damage the retaining tabs.



3. Inside the front grille, cut off the two pins, and remove the push nuts.



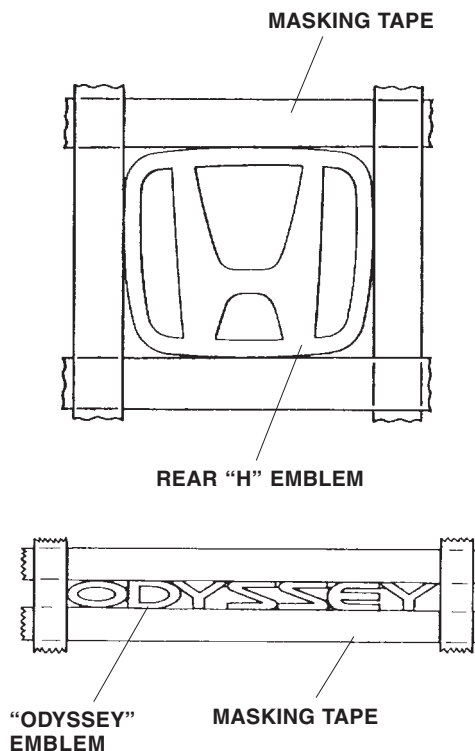
4. Using a shop towel around a screwdriver, gently pry on the front "H" emblem to remove it. Remove and discard the emblem and the push nuts.
5. Using contact cleaner on a shop towel, clean the area where the emblem was removed.



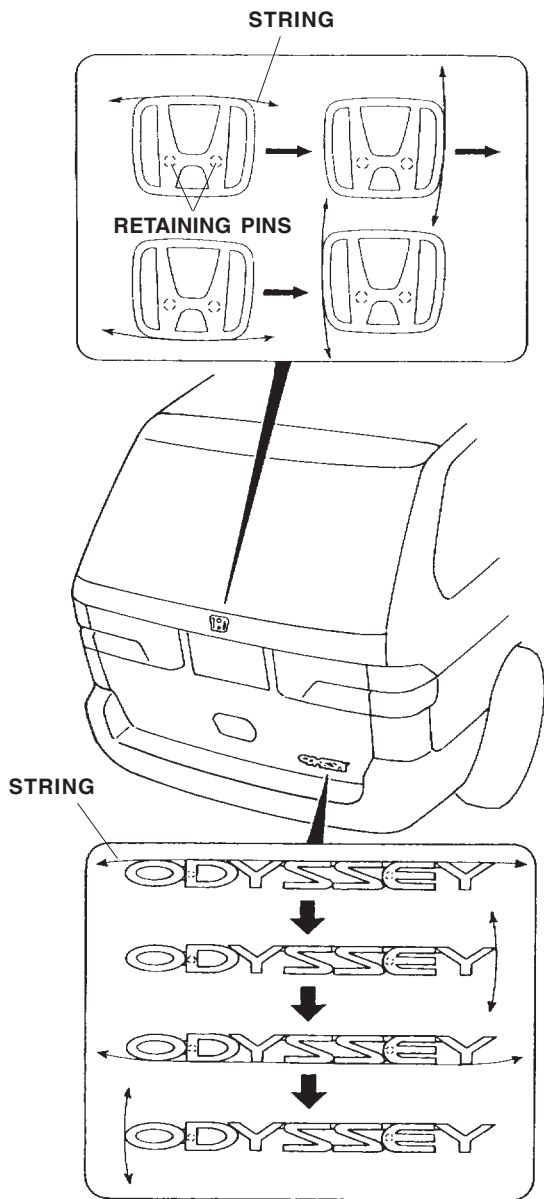
6. Remove the adhesive backing from the new "H" emblem, and attach it to the front grille. Slide the two new push nuts onto the pins.
7. Reinstall all removed parts.

Installing the Rear "H" and "ODYSSEY" Emblems

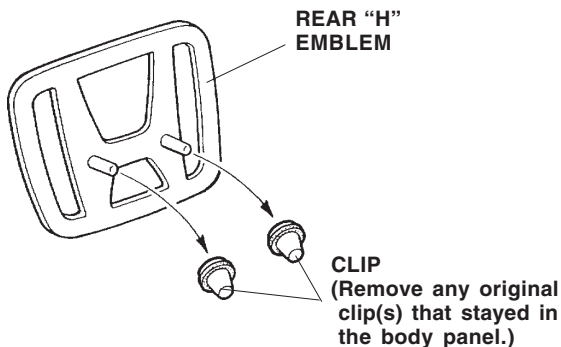
8. To prevent damage to the body finish, attach masking tape around the original rear "H" and "ODYSSEY" emblems.



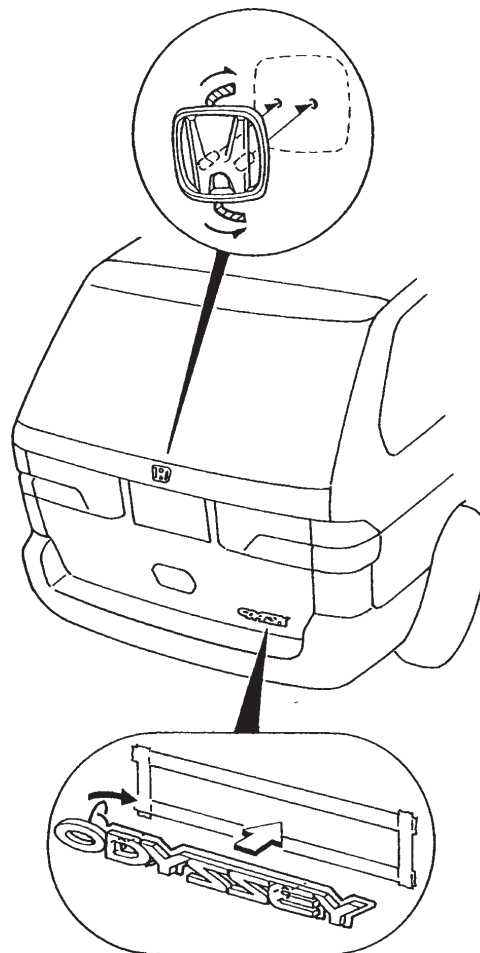
- Remove the original emblems by cutting the outer edges with a piece of string.



- If any original clip(s) stayed in the body panel, make sure you remove and discard the same clip(s) on the new emblems.



- Using contact cleaner on a shop towel, clean the areas where the emblems were removed.
- Remove the adhesive backing from the new "H" emblem, align the tabs on the emblem with the holes in the tailgate, and attach the emblem to the tailgate. Press the emblem firmly against the tailgate with the palm of your hand for 30 seconds.



- Remove the adhesive backing from the new "ODYSSEY" emblem, align the tabs on the emblem with the holes in the tailgate, and attach the emblem to the tailgate. Press the emblem firmly against the tailgate with the palm of your hand for 30 seconds.
- Remove the masking tape.

NOTE: After the emblem kit is installed, tell your customer not to wash the vehicle for 24 hours to give the adhesive time to cure.