



# INSTALLATION INSTRUCTIONS

Accessory  
**SECURITY SYSTEM**  
 (GX, HX, LX, LX SE, EX, EX SE)  
 P/N 08E50-S5D-100

Application  
**2005 CIVIC**  
**2- AND 4-DOOR**

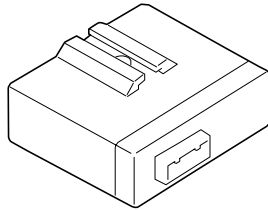
Publications No.  
**All 27875**

---

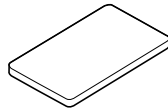
Issue Date  
**AUG 2004**

## PARTS LIST

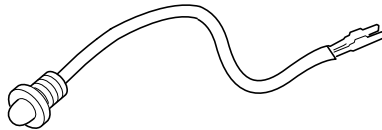
Security unit



Window decal



LED



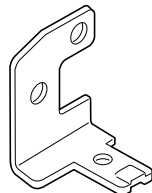
Push nut



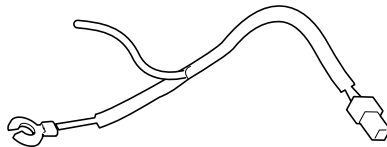
Owner's Manual



Bracket



Harness



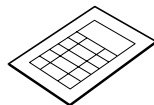
2-Pin connector (for LED)



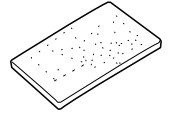
Fuse, 2A



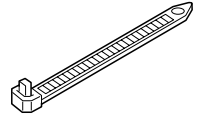
Fuse label



Cushion tape



4 Wire ties



Ground bolt



## TOOLS AND SUPPLIES REQUIRED

Small flat-tip screwdriver

#2 Phillips screwdriver

Eye protection (face shield, safety goggles, etc.)

Center punch

Drill

5.5 mm Drill bit

File

Felt-tip pen

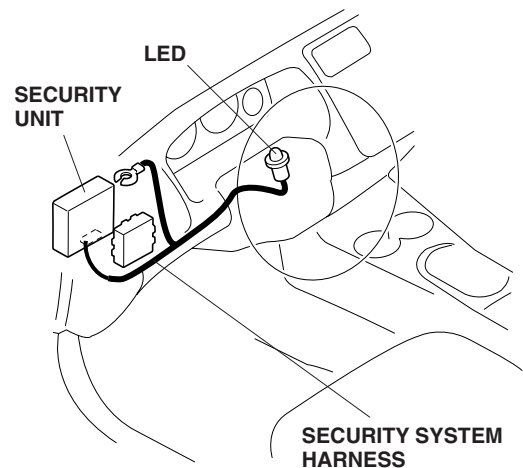
Ratchet

10 mm Socket

Tape measure

Diagonal cutters

## Illustration of the Security System Installed on the Vehicle

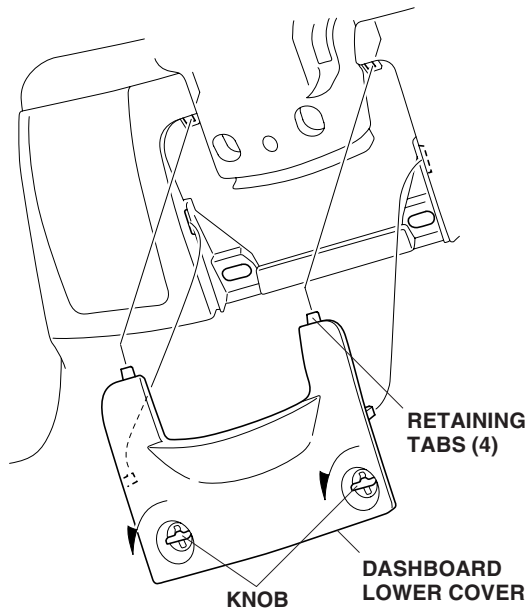


## INSTALLATION

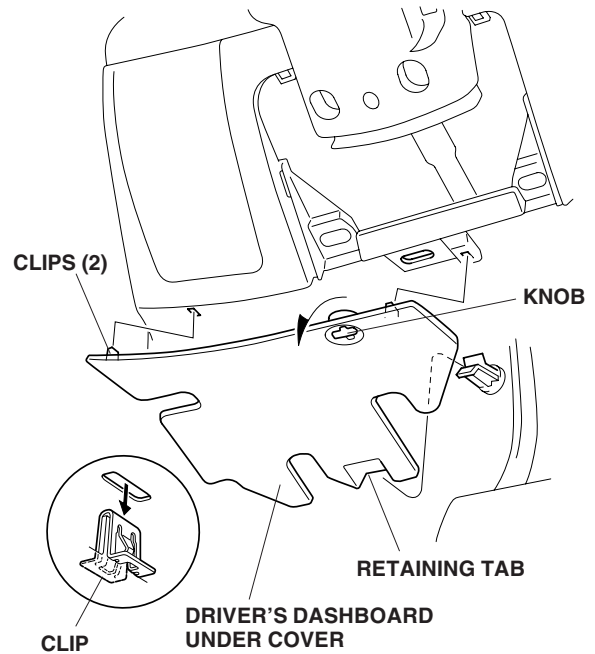
**Customer Information:** The information in this installation instruction is intended for use only by skilled technicians who have the proper tools, equipment, and training to correctly and safely add equipment to your vehicle. These procedures should not be attempted by "do-it-yourselfers."

**NOTE:** On the HX and GX models, you must add an optional keyless entry system (P/N 08E60-S5D-100) to activate the security system, or you must place the security unit in the AUTO mode.

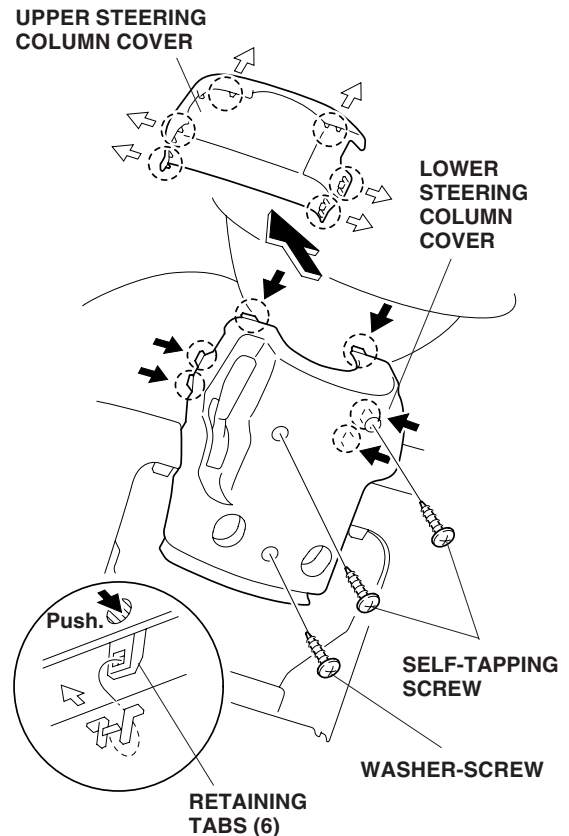
1. Make sure you have the anti-theft code for the radio, then write down the radio station presets.
2. Disconnect the negative cable from the battery.
3. Remove the dashboard lower cover on the driver's side of the vehicle. Turn the two knobs counterclockwise, and release the four retaining tabs.



4. Remove the driver's dashboard under cover. Turn the knobs counterclockwise, and release the two clips and one retaining tab.

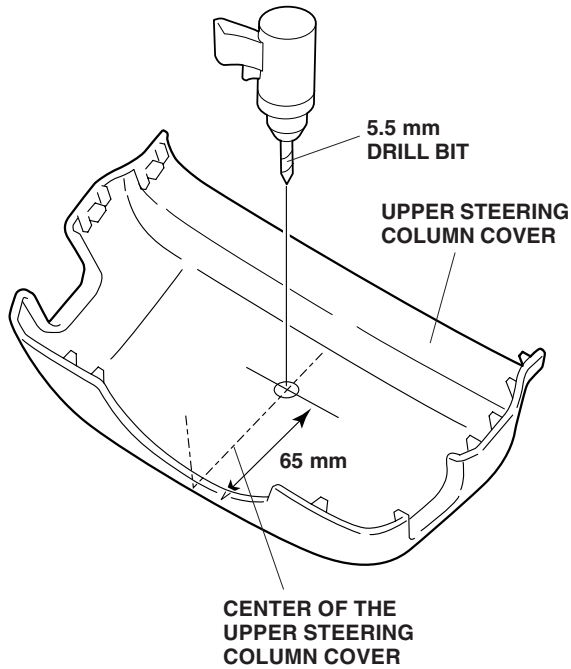


5. Remove the upper steering column cover (two self-tapping screws, one washer-screw, and six retaining tabs).



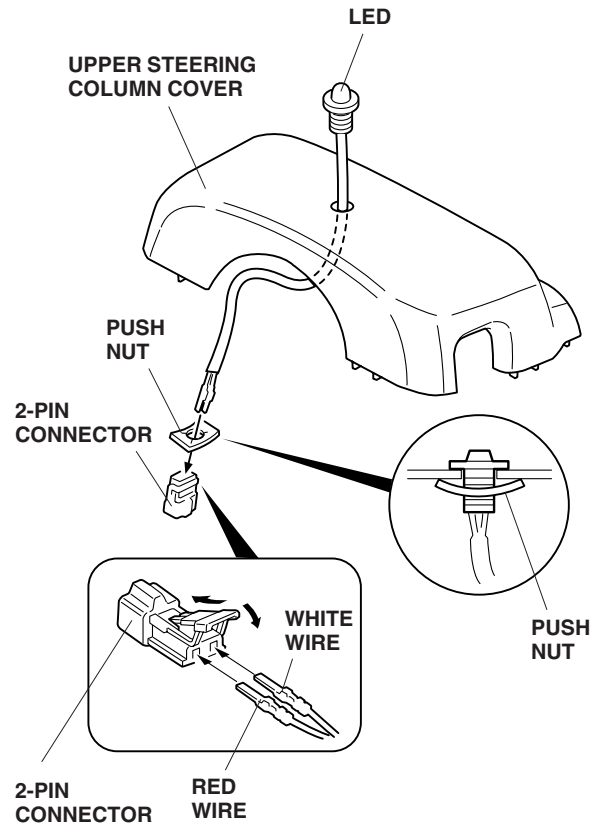
## Installing the LED

- Using the tape measure, measure and mark the inside of the upper steering column cover.

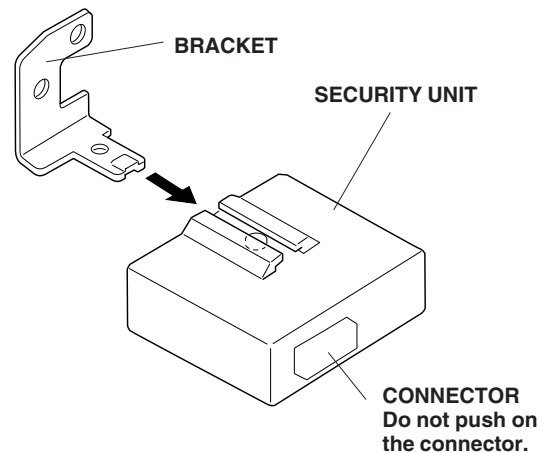


- While wearing eye protection, lightly center-punch the mark, and drill a 5.5 mm hole through the center-punched mark. Remove all burrs.

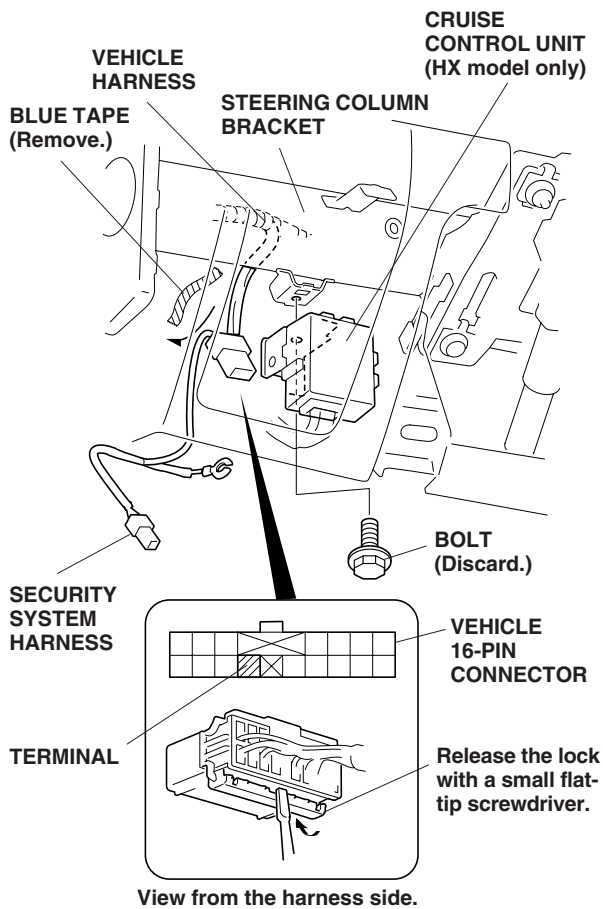
- Route the terminal ends of the LED through the hole you just drilled, and secure the LED with the push nut. Install the push nut securely.



- Locate the 2-pin connector included in the kit. Firmly push the LED terminals into the 2-pin connector until they click into position, then lower the lock.
- Install the bracket onto the security unit.

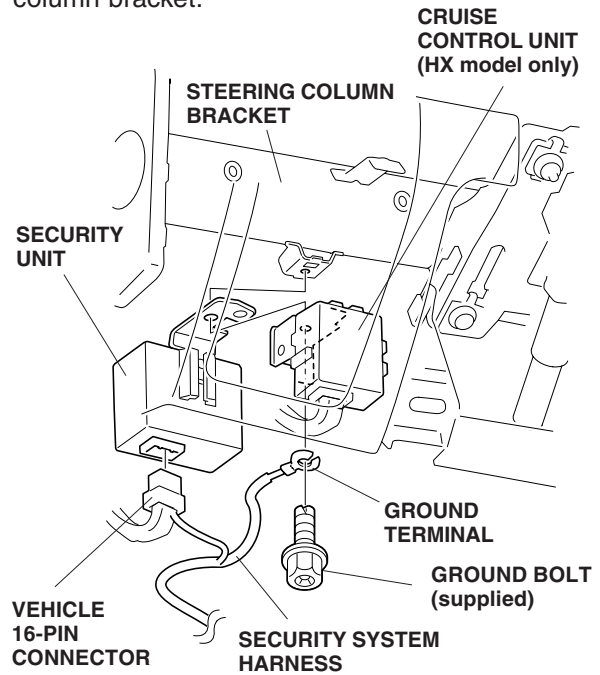


11. If equipped, remove and discard the bolt that secures the cruise control unit to the left side steering column bracket. On LX and EX coupe, the cruise control unit is not in this location.

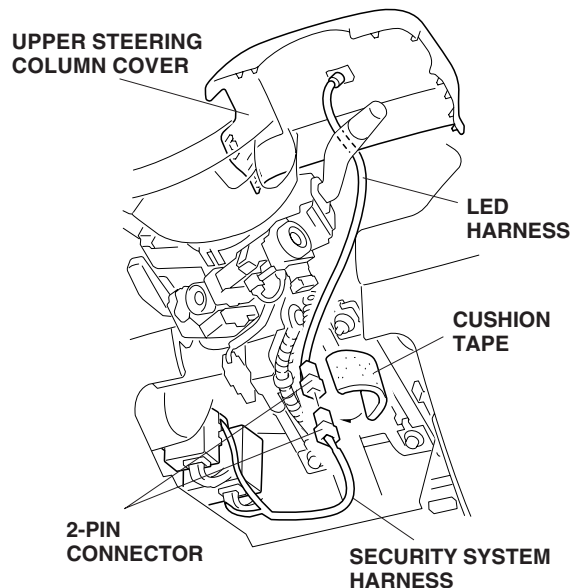


12. Behind the steering column bracket, locate the 16-pin connector blue-taped to the vehicle harness. Remove the tape to free the connector, and pull down the 16-pin connector.
13. On the back of the 16-pin connector, use a small flat-tip screwdriver to release the lock. Insert the terminal from the security system harness into the 16-pin connector in the location shown. Reattach the lock to the connector.

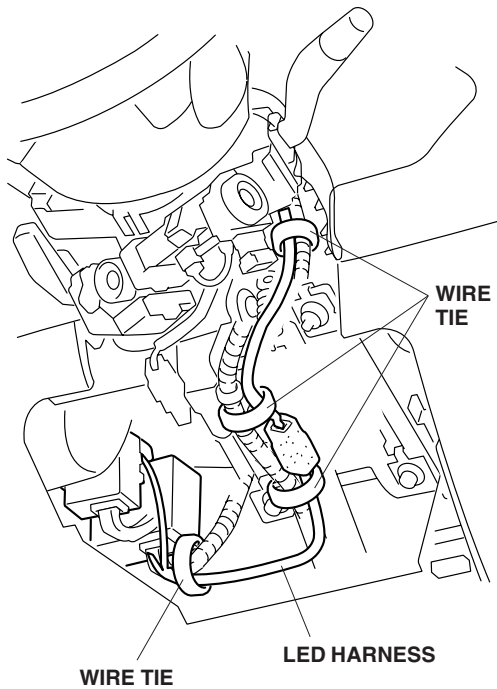
14. Attach the cruise control unit, the security unit, and the ground terminal to the steering column bracket using the ground bolt supplied. On LX and EX coupe, use the bolt supplied to attach the ground wire to the empty hole in the steering column bracket.



15. Plug the vehicle 16-pin connector you freed in step 12 into the security unit.
16. Position the upper steering column cover above the steering column, and route the 2-pin connector of the harness under the steering shaft. Plug the 2-pin connector from the LED into the security system harness 2-pin connector, and wrap the cushion tape around the two connectors.

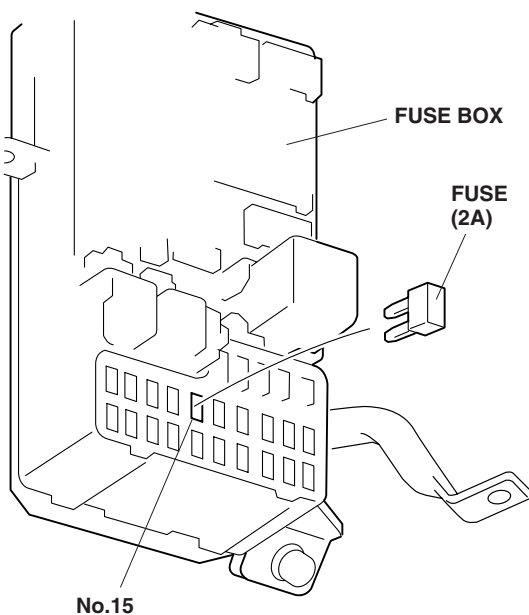


- Secure the LED harness to the vehicle harness with four wire ties in the areas shown. Cut the excess off of the wire ties.

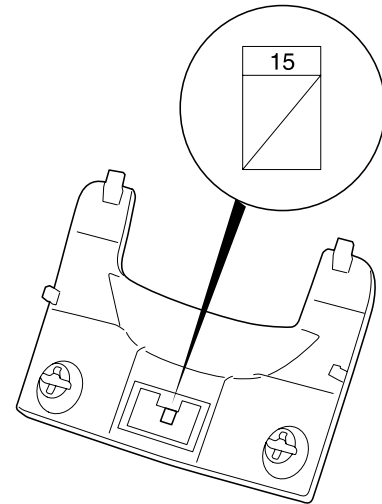


- Install the fuse (2A) provided, into the No.15 slot of the fuse box.

**NOTE:** The No. 15 slot may already contain a fuse, that fuse is not currently being used. Remove the fuse, and install the 2A fuse supplied. The 2A fuse supplies power to the red indicator light and to the back-up memory function.



- Attach the fuse label "OPTION FUSE (2A)" over the No.15 on the back of the dashboard lower cover.



- Check that all wire harnesses are routed properly and all connectors are plugged in.
- Reinstall all removed parts.
- Reconnect the negative cable to the battery, and reset the radio station presets.
- Reset the clock
- Check the operation of the security system as described in the Owner's Manual supplied.
- Do the ECM/PCM idle learn procedure.
  - Make sure all electrical items are turned off.
  - Start the engine. Hold the engine speed at 3,000 rpm with no load (in Park or Neutral) until the radiator fan comes on.
  - Let the engine idle for 5 minutes with the throttle fully closed and with all electrical items off.

**NOTE:** If the radiator fan comes on during this step, the time it operates must not be included in the 5 minutes.