



# INSTALLATION INSTRUCTIONS

Accessory	Application	Publications No.
XM RADIO SYSTEM	2003 PILOT	All 24058
		Issue Date MARCH 2003

The XM Radio system will not fit in a vehicle equipped with a navigation system or a rear entertainment system.

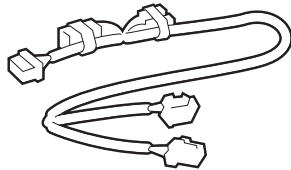
## PARTS LIST

XM Radio Attachment Kit (sold separately):  
P/N 08B15-S9V-100

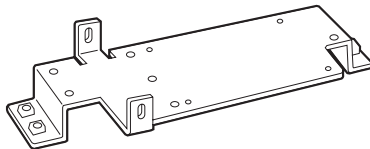
DIN cable



XM radio harness



Unit bracket



Double-sided adhesive tape,  
53 x 28 mm



6 Washer-screws, 4 x 8 mm



4 Washer-bolts, 6 x 12 mm



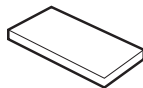
4 Flange nuts, 4 mm



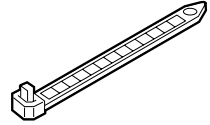
2 Washer-screws, 4 x 12 mm  
(Not used)



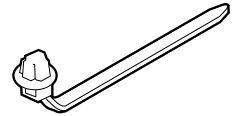
Double-sided adhesive tape,  
60 x 60 mm



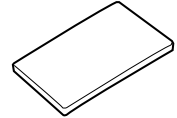
15 Wire ties



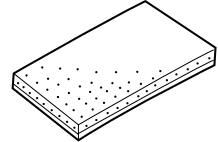
5 Wire ties with clips



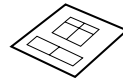
2 Cushion tapes



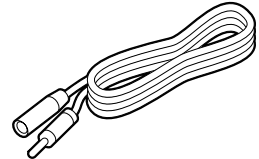
7 EPT seals



Fuse label



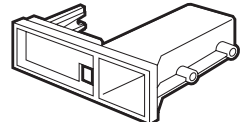
2 Subantenna cables



Harness hook (Not used)



Display module pocket



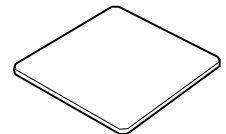
Clip nut



3 Self-tapping screws

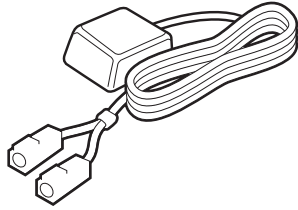


Antenna plate



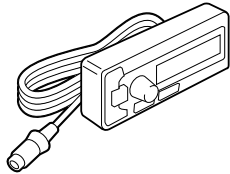
**XM Antenna Kit (sold separately):  
P/N 08A15-1E1-100**

Antenna

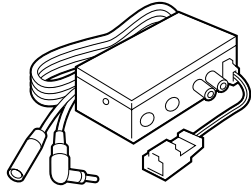


**Base Kit (sold separately):  
P/N 08A15-1E1-000**

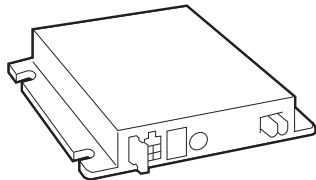
Display module



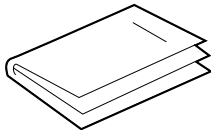
FM modulator unit



Receiver unit

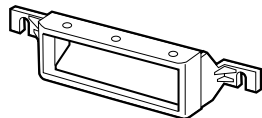


Owner's Manual



**DIN Bezel (sold separately):  
P/N 08B23-S9V-100A**

DIN bezel



**TOOL AND SUPPLIES REQUIRED**

#2 Phillips screwdriver

Flat-tip screwdriver

Utility knife

Diagonal cutters

Push pin

Tape measure

Shop towel

Scissors

Ratchet

8 mm, 10 mm, and 14 mm Sockets

8 mm, 10 mm, and 14 mm Combination wrenches

Felt-tip pen

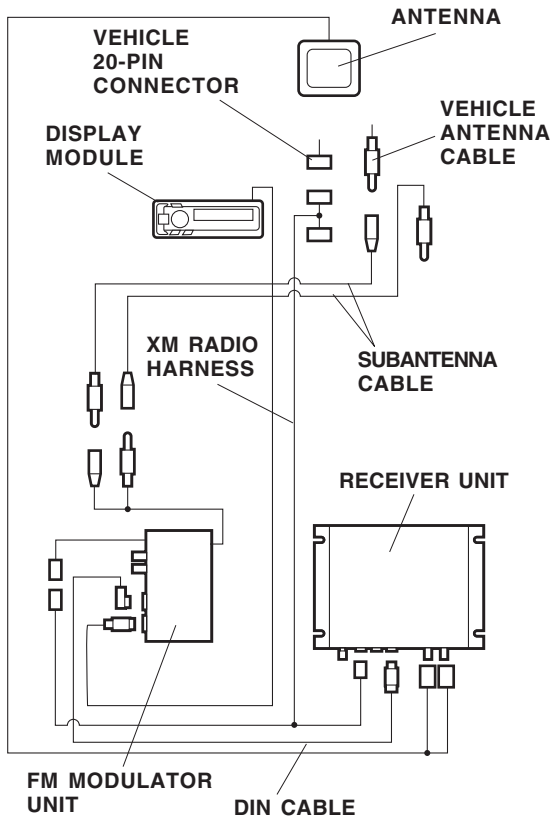
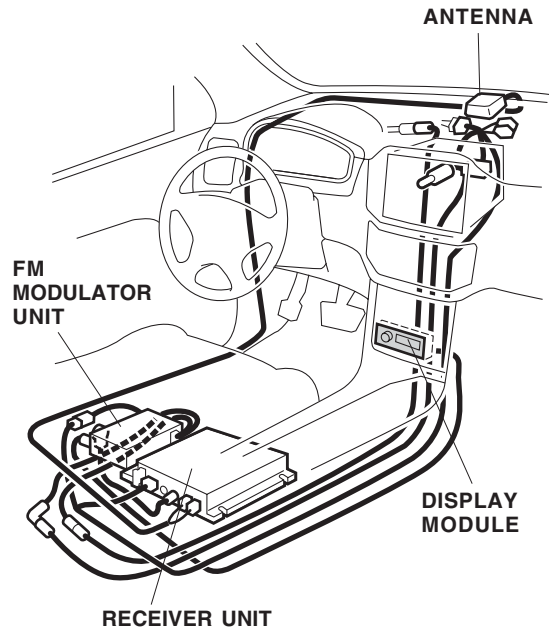
Isopropyl alcohol

Drill

3 mm and 10 mm drill bits

Eye protection (face shield, safety goggles, etc.)

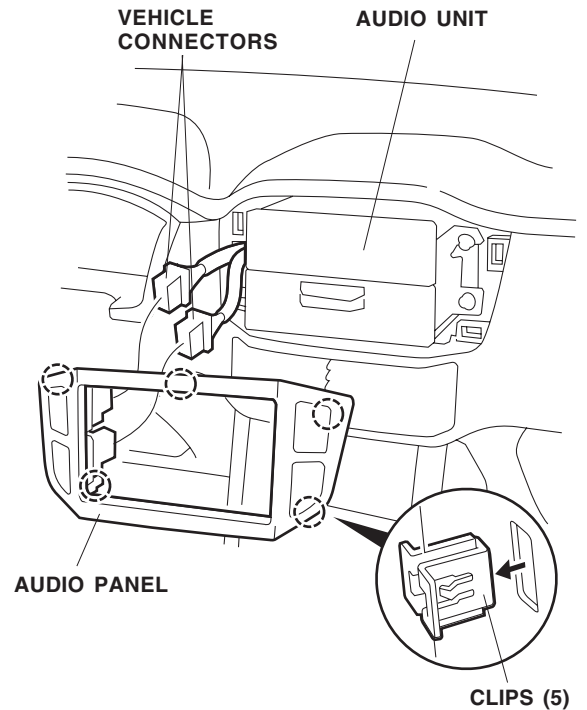
## Illustration of an Installed XM Radio System



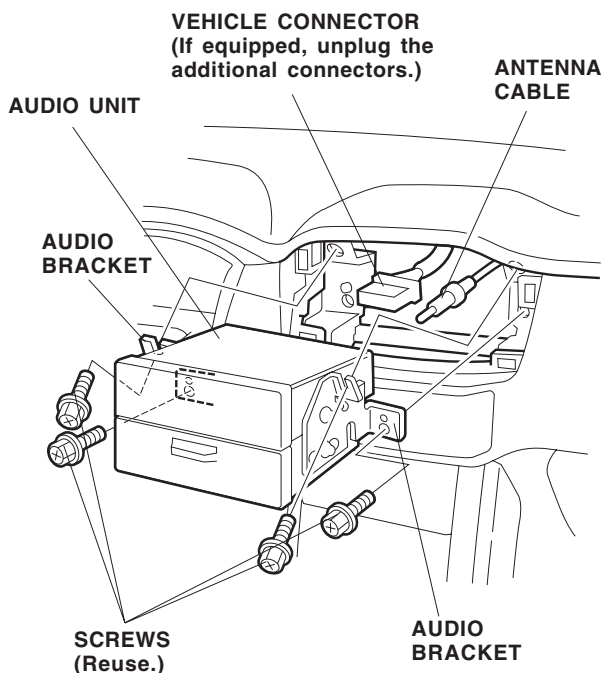
## INSTALLATION

**Customer Information:** The information in this installation instruction is intended for use only by skilled technicians who have the proper tools, equipment, and training to correctly and safely add equipment to your vehicle. These procedures should not be attempted by “do-it-yourselfers.”

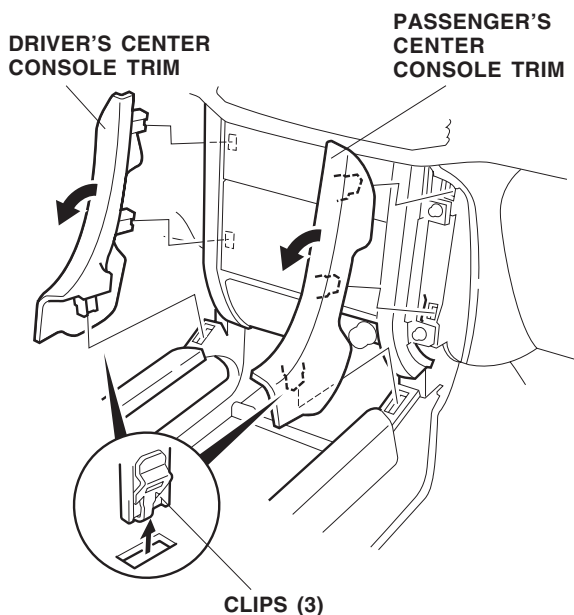
1. Make sure you have the anti-theft code for the radio, then write down the frequencies for the preset buttons.
2. Disconnect the negative cable from the battery.
3. Using a flat-tip screwdriver wrapped with a shop towel, gently pry out on the audio panel to remove the five clips. Unplug the connectors, and remove the audio panel.



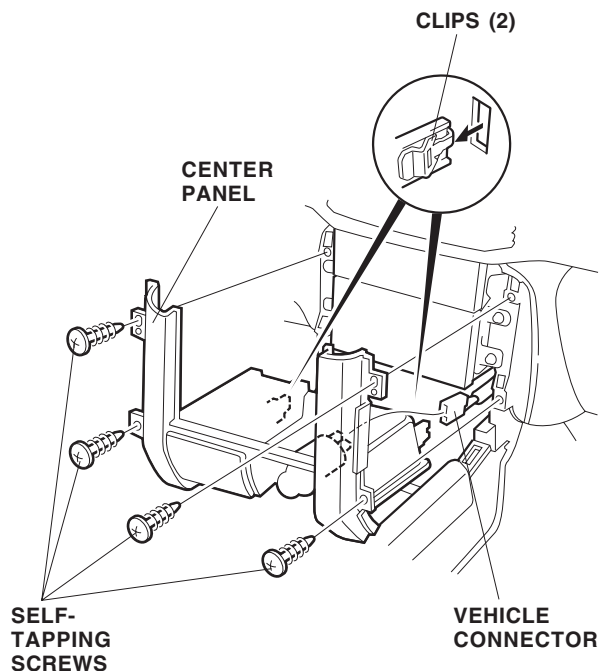
- Remove the four screws that fasten the audio bracket. Pull the audio unit out toward you, and unplug the vehicle connector and antenna cable from the rear of the audio unit. If equipped with a cassette/in-dash CD changer, unplug the additional connectors.



- Remove the driver's and passenger's center console trim pieces (three clips each). Take care not to damage the clips.

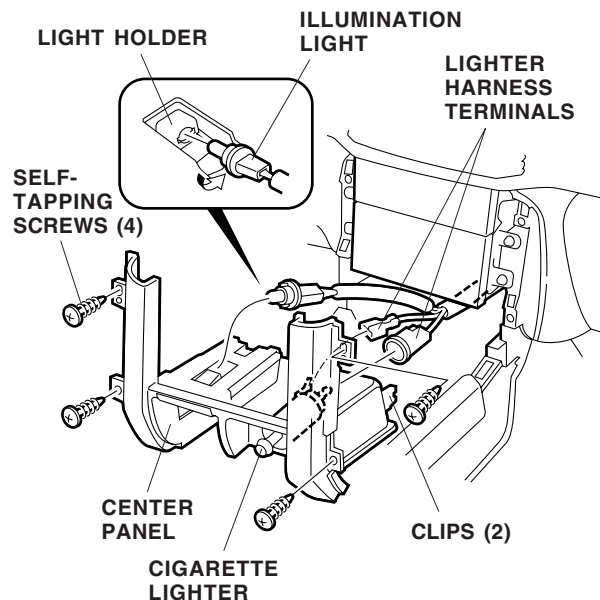


- Remove the center panel (four self-tapping screws and two clips, and unplug the vehicle accessory power outlet).

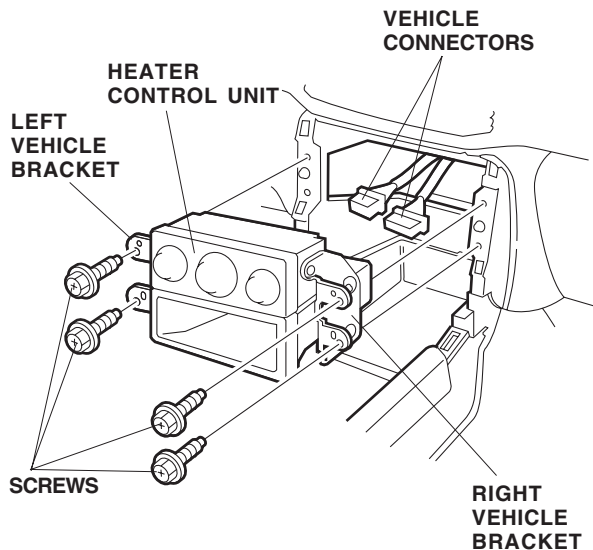


- If equipped with a cigarette lighter, remove the four self-tapping screws. Pull the center panel by releasing the two clips. Unplug the two lighter harness terminals, and remove the illumination light. Remove the center panel.

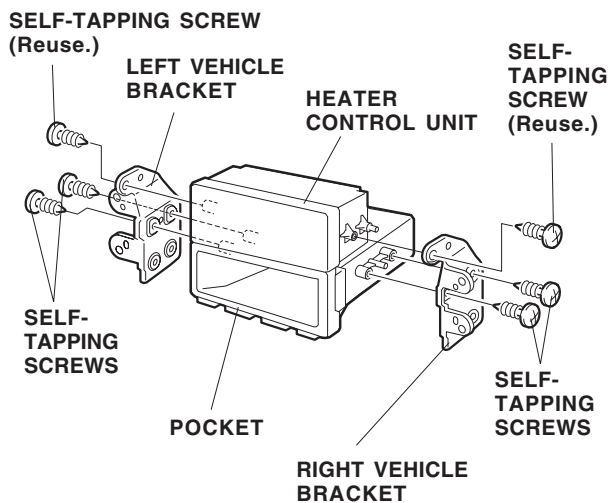
#### **With Cigarette Lighter**



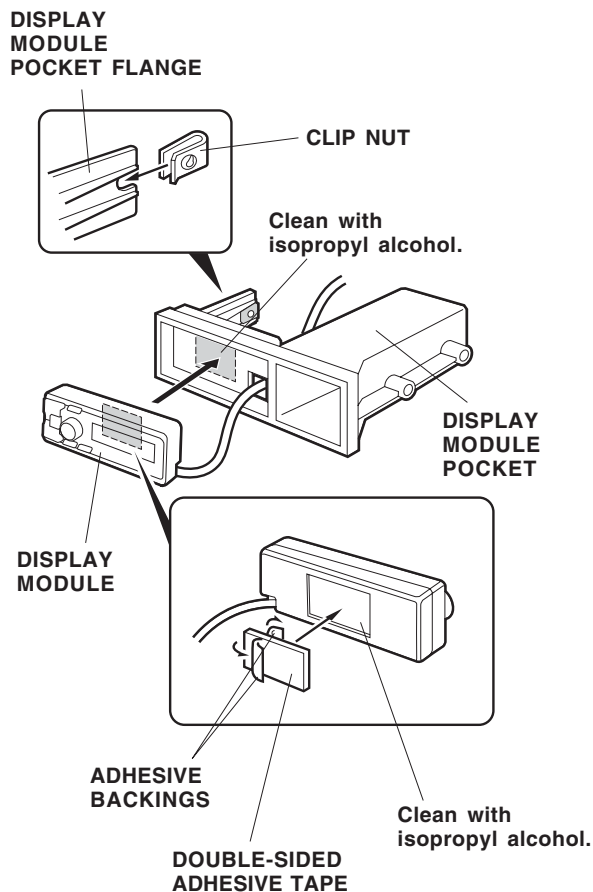
- Remove the four screws that fasten the left and right vehicle bracket. Pull the heater control unit and pocket toward you, and unplug the vehicle connectors.



- Remove the left and right vehicle brackets (six self-tapping screws), and separate the heater control unit from pocket. Set the pocket aside, it will not be reused.



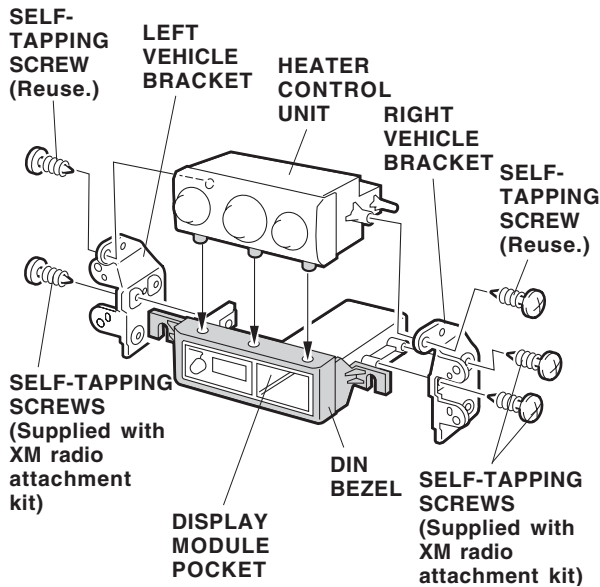
- Slide the clip nut onto the display module pocket flange.



- Attach the display module to the display module pocket:

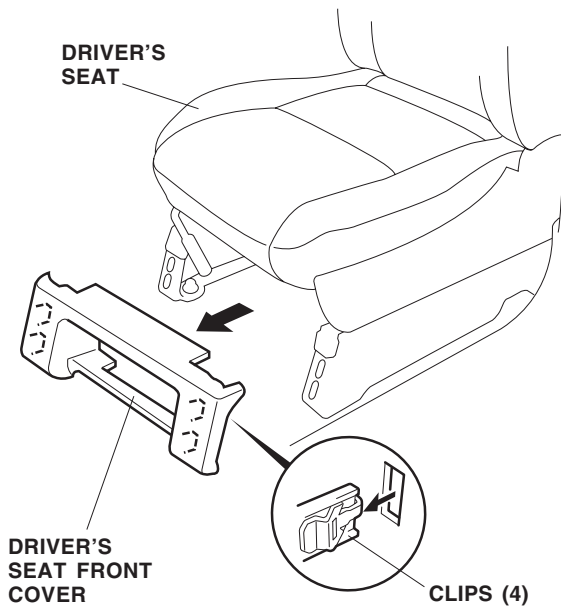
- Using isopropyl alcohol on a shop towel, clean the center of the back of the display module where the double-sided adhesive tape will attach.
- Remove on backing from the double-sided adhesive tape, and attach it to the display module.
- Remove the remaining backing from the double-sided adhesive tape. Route the display module cable through the hole of the display module pocket, and attach the display module to the pocket.

14. Fit the DIN bezel around the display module pocket. Set the heater control unit on the display module pocket, and reinstall the left and right vehicle brackets using the two self-tapping screws removed in step 9. Attach the display module to brackets with three self-tapping screws supplied with the XM radio attachment kit.

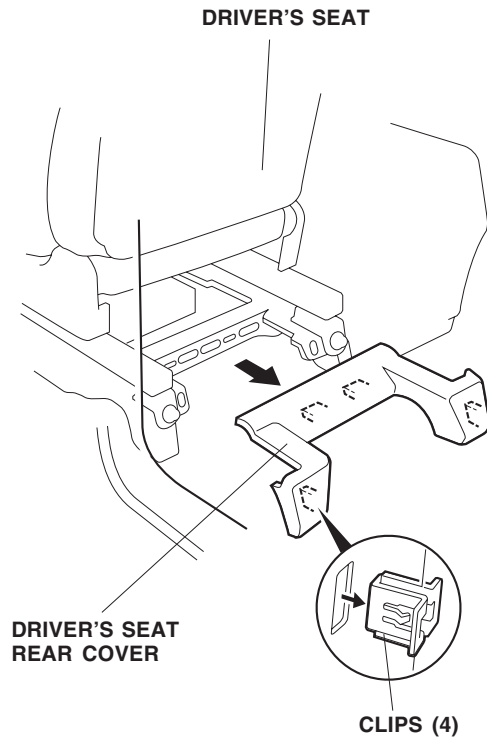


### Routing the XM Radio Harness

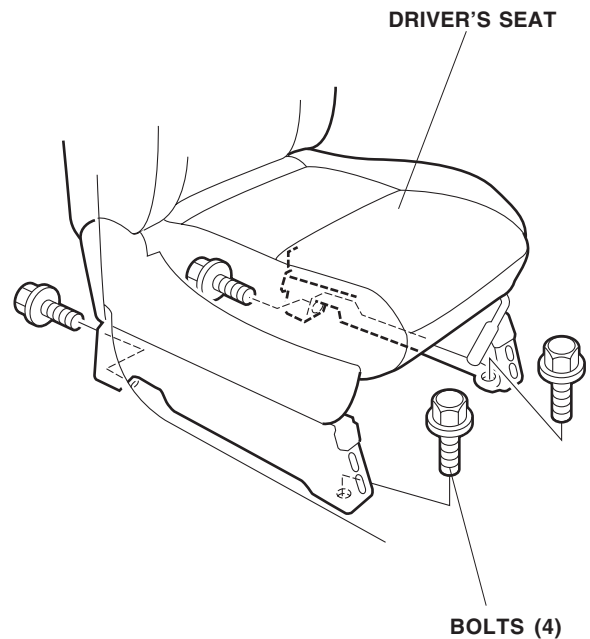
15. Remove the driver's seat front cover (four clips).



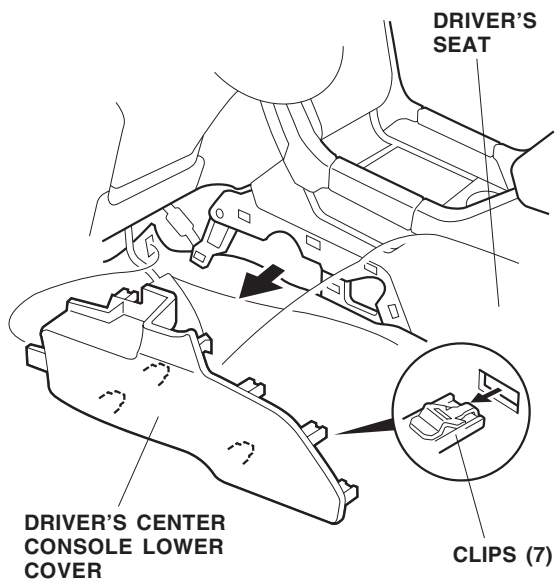
16. Remove the driver's seat rear cover (four clips). Take care not to damage the clips.



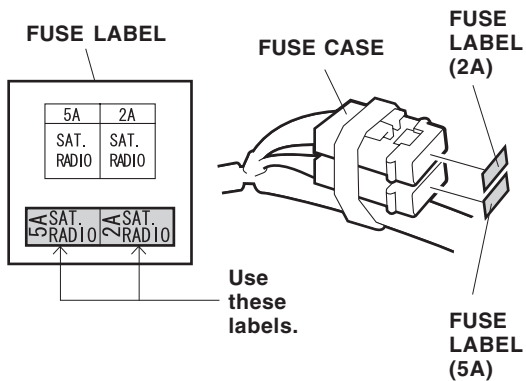
17. Remove the driver's seat (four bolts). Move the driver seat out of the way.



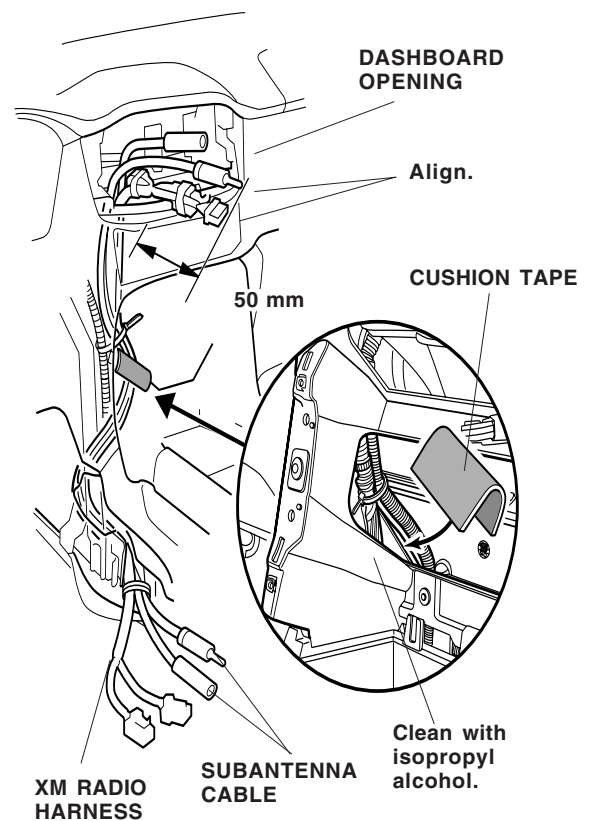
- On the driver's side of the vehicle, remove the center console lower cover (gently pull the cover out toward you to release the seven clips). Take care not to damage the clips.



- Get the XM radio harness, the subantenna cables, and the fuse labels. Attach the 2A and 5A fuse labels to the fuse cases on the XM radio harness.

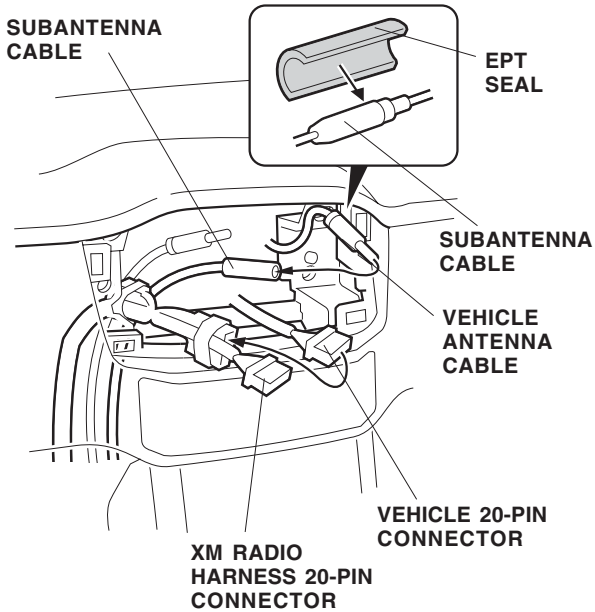


- Route the XM radio harness and two subantenna cables from the dashboard opening to driver's floor. Using one cushion tape, attach it to the vehicle frame.

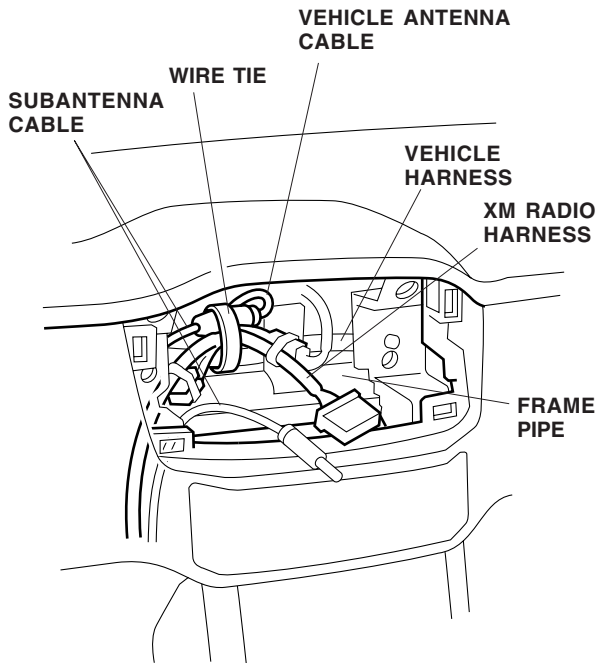


- Pull the XM radio harness and subantenna cables out through the dashboard opening approximately 50 mm.

22. Plug the audio unit vehicle 20-pin connector into the XM radio 20-pin connector that is blue-taped to the XM radio harness. Wrap one EPT seal around the subantenna cable in the area shown.

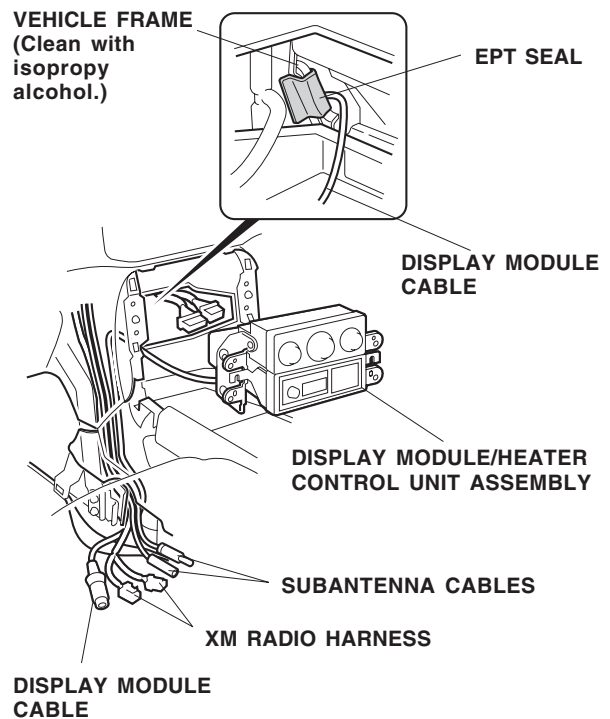


23. Plug the vehicle antenna cable into the subantenna cable.

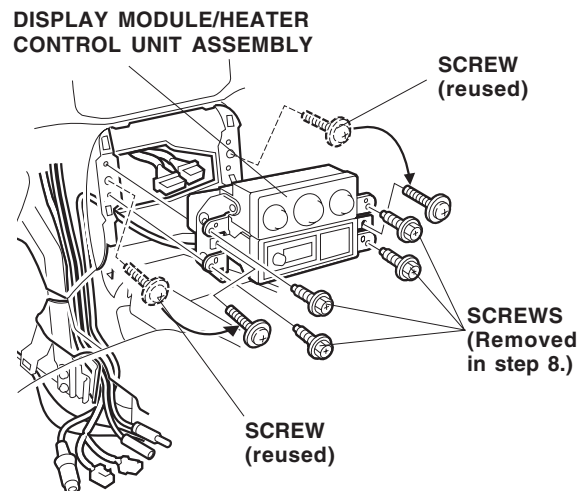


24. Secure the XM radio harness and subantenna cables to the vehicle harness with a wire tie.

25. Place the display module/heater control unit assembly near the dashboard opening, and route the display module cable along the XM radio harness and the subantenna cables.

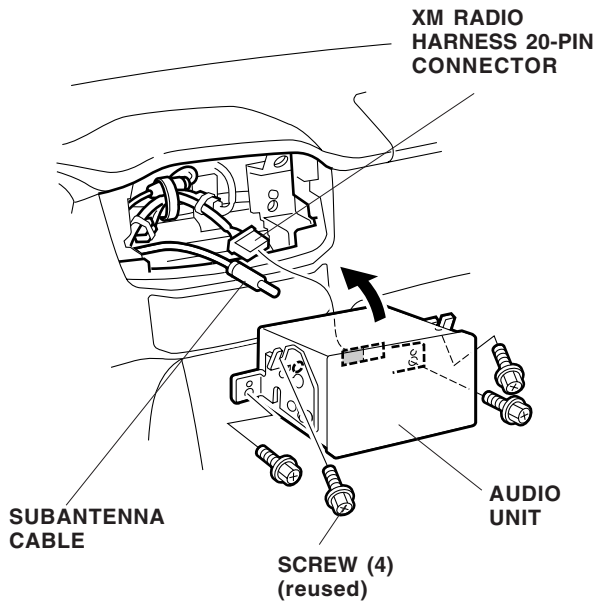


26. Using isopropyl alcohol on a shop towel, clean the vehicle frame, then attach one EPT seal on the edge of the vehicle frame to protect the cables.
27. Remove the two screws from the side brackets at the heater control unit opening. Plug in the heater control unit connectors, and slide the display module/heater control unit assembly into the dashboard opening. Reinstall the two side bracket screws, and the four heater control unit screws removed in step 8.

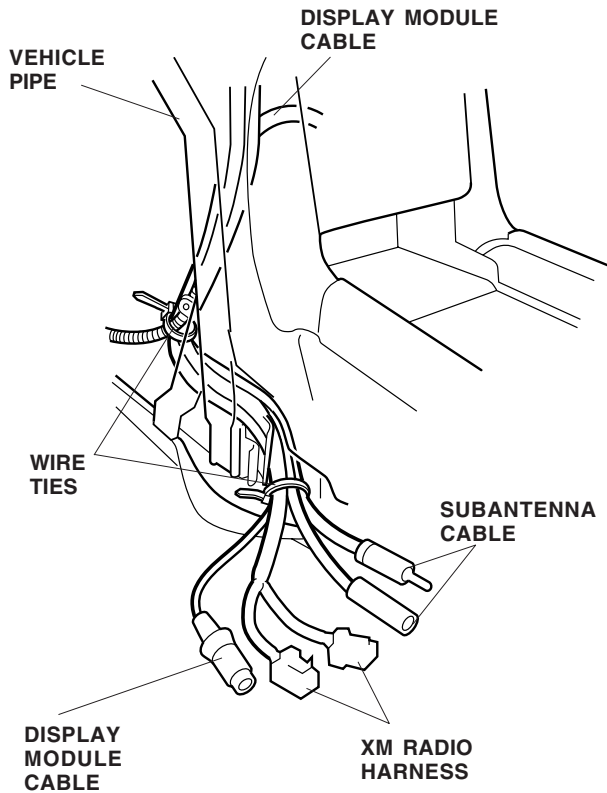




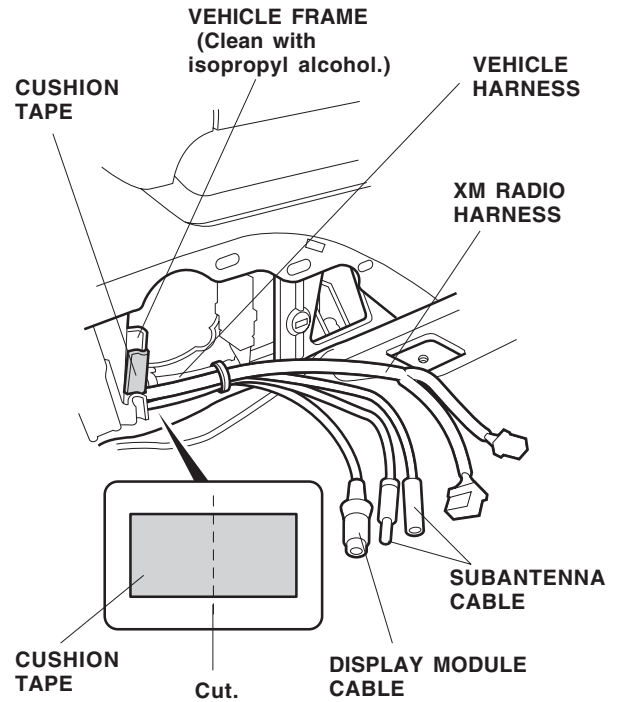
28. Plug the XM radio harness 20-pin connector and sub antenna cable into the audio unit, and carefully slide the audio unit into the dashboard. Reinstall the four audio unit screws.



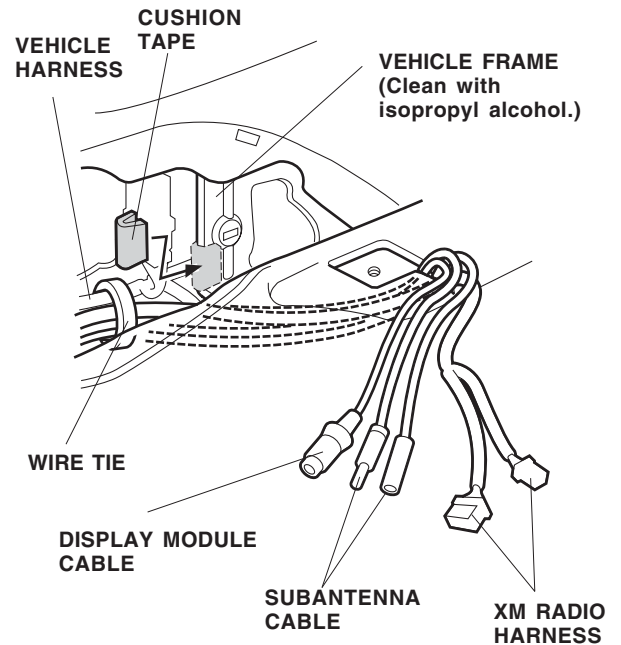
29. Secure the XM radio harness, subantenna cables, and display module cable to the vehicle pipe with two wire ties.



30. Continue routing cables through the center console and toward the rear of the vehicle. Using scissors, cut one cushion tape in half. Clean the vehicle frame with isopropyl alcohol, and attach half of the cushion tape to the vehicle frame in the area shown.

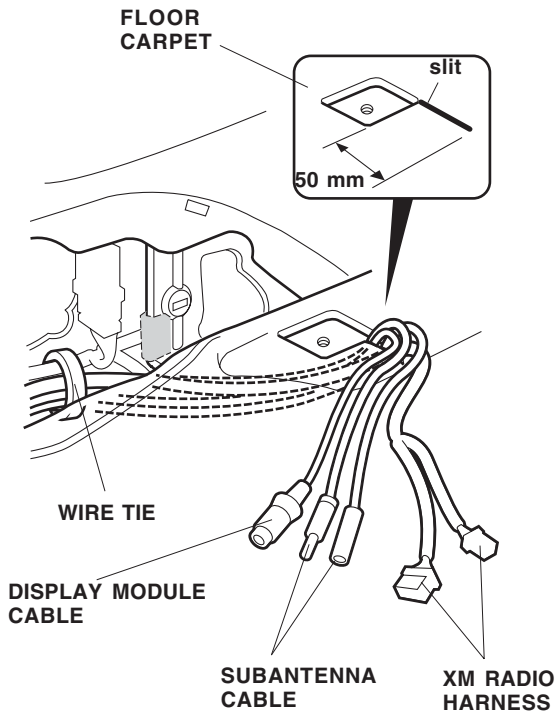


31. Secure the XM radio harness and subantenna cables with one wire tie, but don't tighten the wire tie at this time.



32. Attach the remaining half of the cushion tape to the vehicle frame in the area shown.

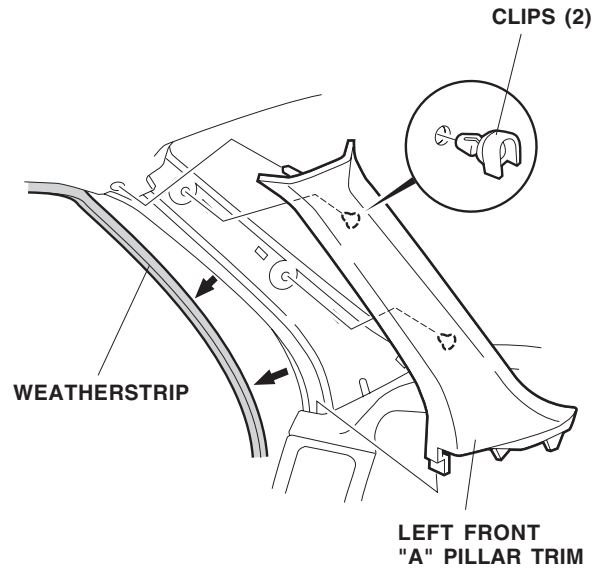
33. Measure and slit the driver's floor carpet in the area shown. Be careful not to damage the subantenna cables and XM radio harness when cutting the floor carpet.



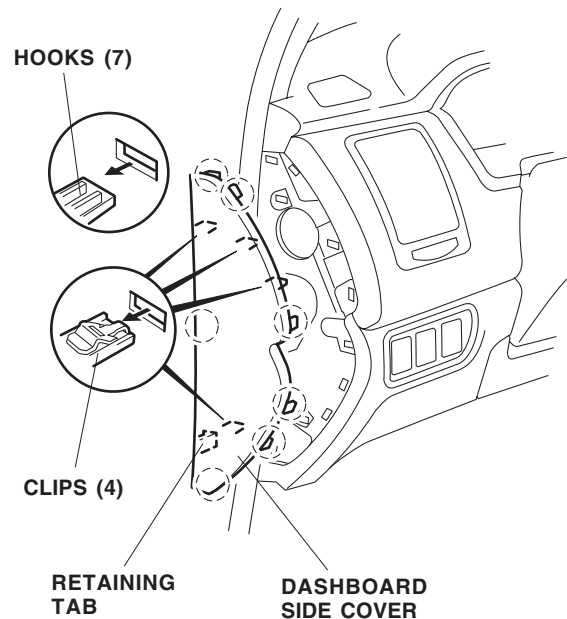
34. Route the XM radio harness and subantenna cables under the floor carpet and out the slit. Secure the cables with one wire tie.

### Installing the Antenna

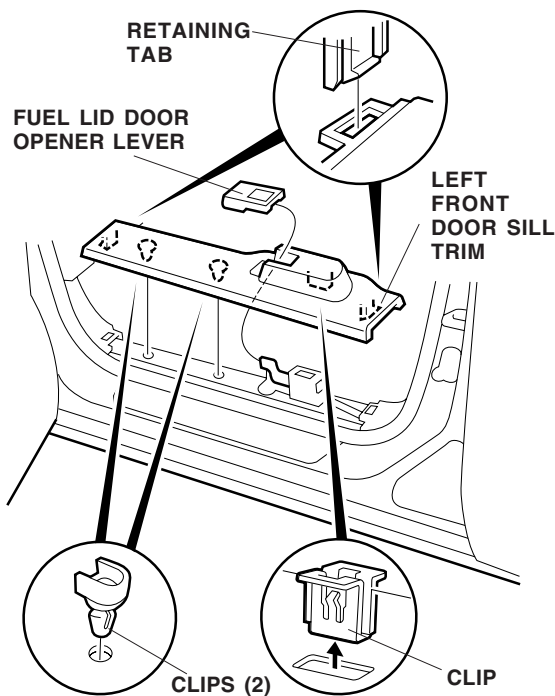
35. On the driver's side of the vehicle, remove the weatherstrip from the left front door opening in the area shown, then remove the left front "A" pillar trim (two clips).



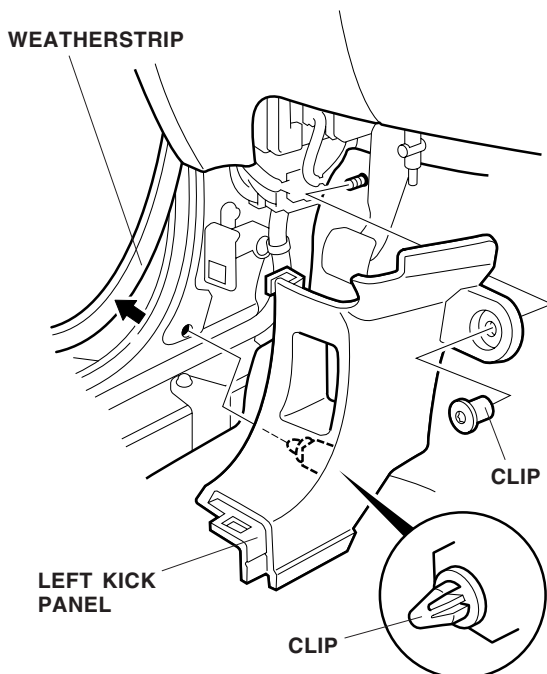
36. Remove the dashboard side cover (four clips, one retaining tab, and seven hooks).



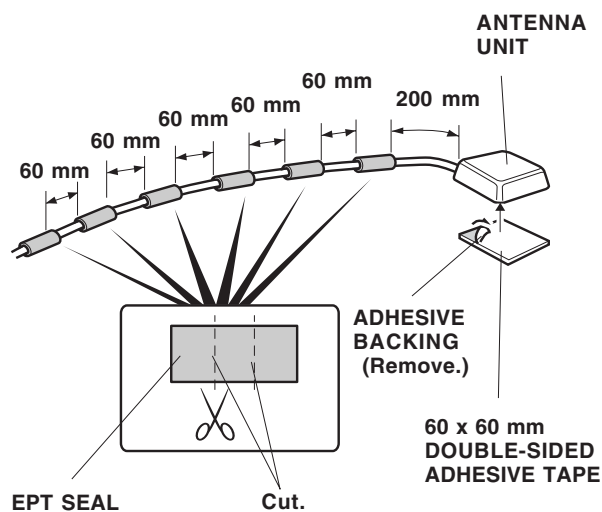
37. Remove the fuel lid door opener lever, then remove the left front door sill trim (three clips and two retaining tabs).



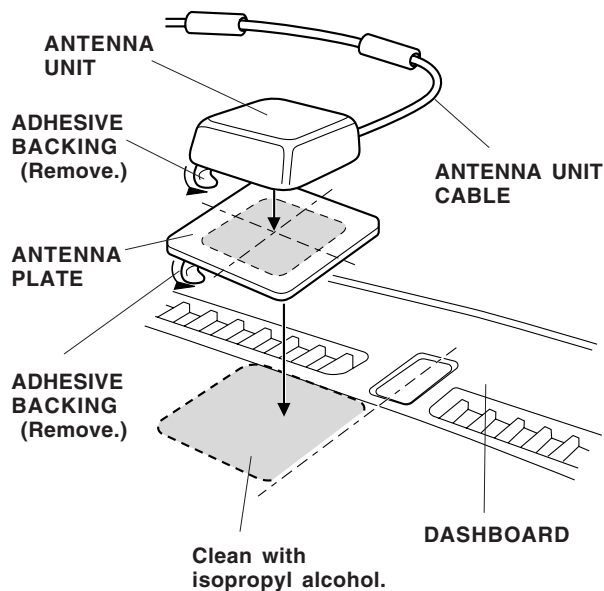
38. Remove the weatherstrip from the left kick panel. Remove the upper clip from the left kick panel, then pull the left kick panel out toward you to release the retaining clip.



39. Get two EPT seals. Using scissors, cut two EPT seals into six pieces. Wrap the them around the antenna unit cable at the measurements shown.

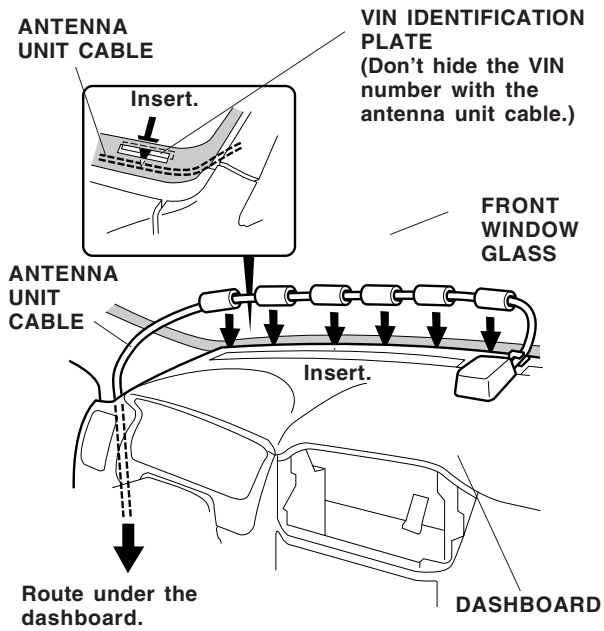


40. Using isopropyl alcohol on a shop towel, clean the bottom of the antenna unit. Remove the backing from the 60 x 60 mm double-sided adhesive tape, and attach it to the bottom of the antenna unit.

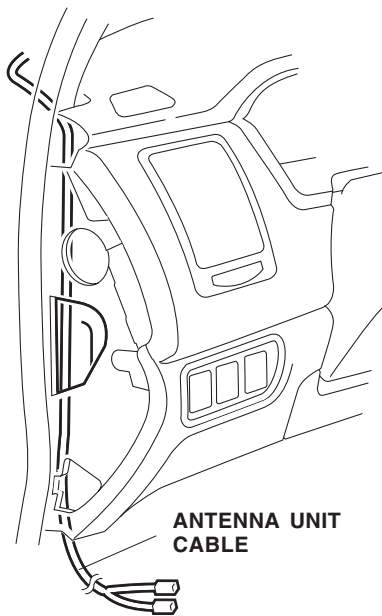


41. Using isopropyl alcohol on a shop towel, clean the areas where the antenna unit and the antenna plate will attach.
42. Remove the adhesive backing from the antenna unit and the antenna plate, and attach them to the dashboard in the area shown.

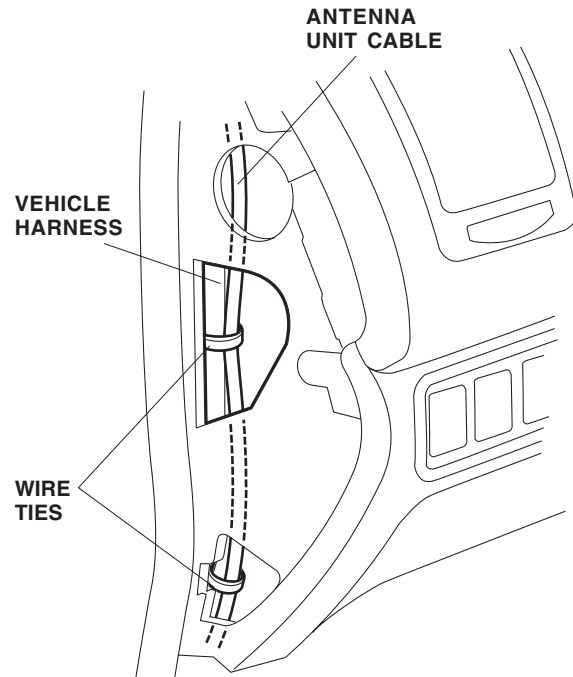
43. Route the antenna unit cable along the front windshield and the top of the dashboard. Insert the antenna unit cable with the EPT seals between the windshield and the dashboard.



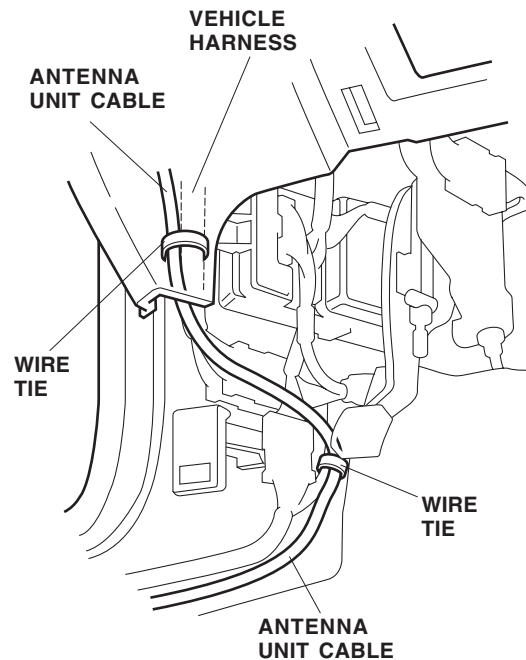
44. Route the antenna unit cable down and under the dashboard.



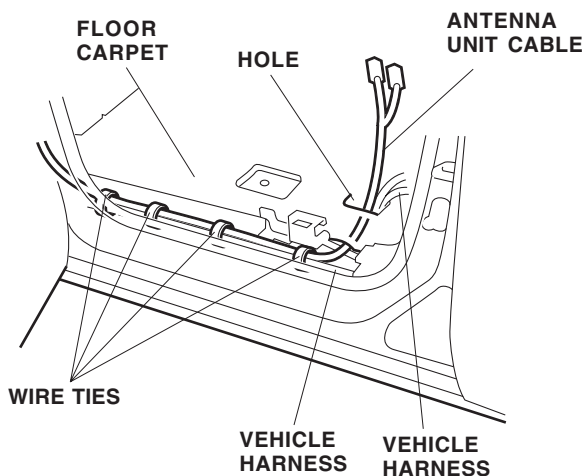
45. Secure the antenna unit cable to the vehicle harness with two wire ties.



46. Below the dashboard, secure the antenna unit cable to the vehicle harness with two additional wire ties.

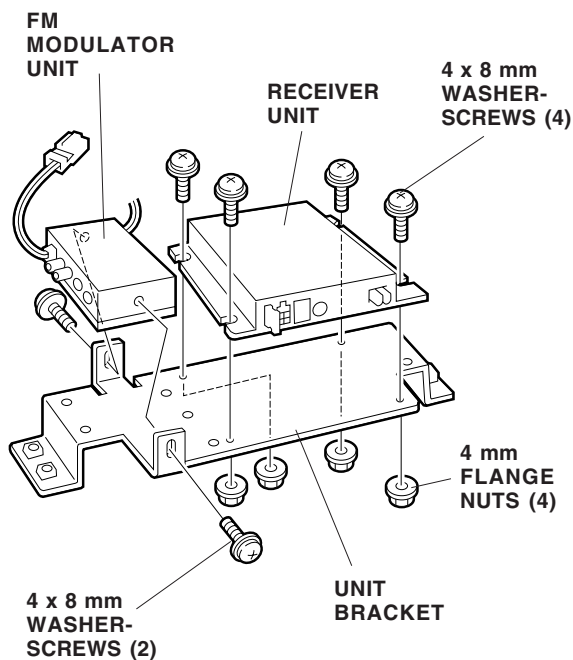


47. Continue routing the antenna unit cable alongside the vehicle harness, and out through the hole in the floor carpet under the driver's seat. Secure the antenna unit cable to the vehicle harness with four wire ties in the area shown.



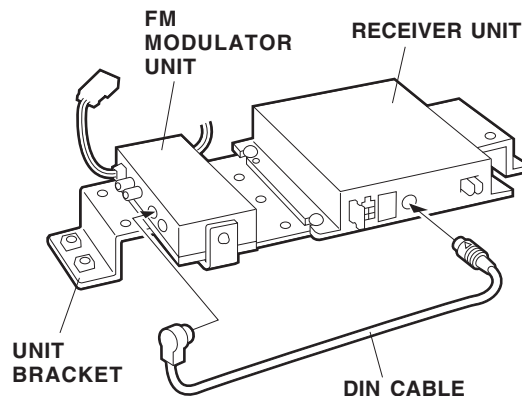
### Installing the Receiver Unit and FM Modulator Unit

48. Install the receiver unit to the unit bracket with the four 4 x 8 mm washer-screws, and four 4 mm flange nuts.

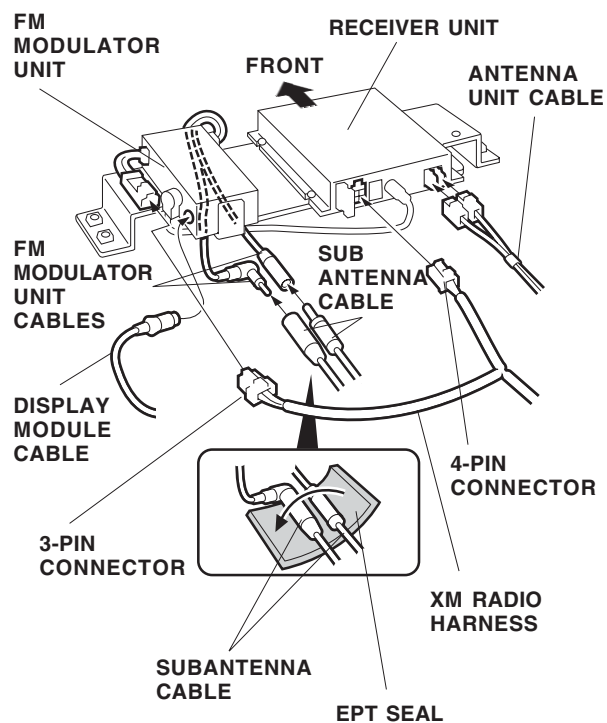


49. Install the FM modulator unit to the unit bracket with the two 4 x 8 mm washer-screws.

50. Get the DIN cable. Plug the DIN cable into the FM modulator unit and the receiver unit.

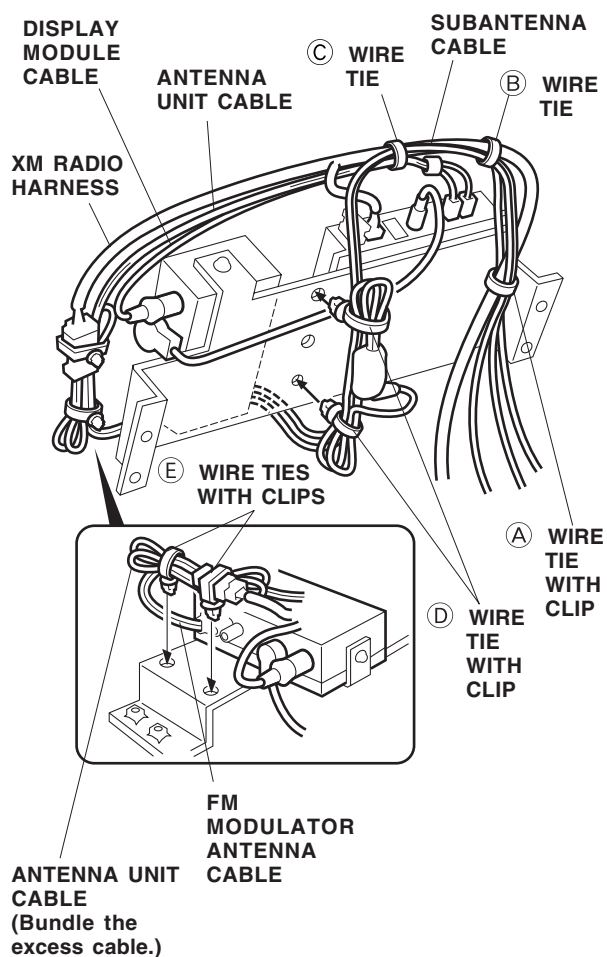


51. Position the unit assembly under the driver's seat. Plug the XM radio harness 4-pin connector and the antenna unit cables into the receiver unit. Plug the XM radio harness 3-pin connector, the display module cable, and the subantenna cables into the FM modulator unit.

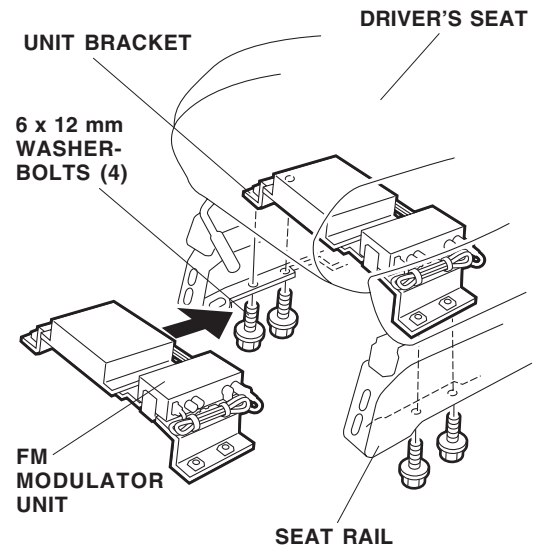


52. Wrap one EPT seal around the subantenna cables.

53. Get the five wire ties with clips and two wire ties. Secure all of the cables to the unit bracket in the order shown:
- XM radio harness, subantenna cables, and the display module cable.
  - XM radio harness, subantenna cables, and the display module cable.
  - Antenna unit cable, XM radio harness, subantenna cable, and the display module cable.
  - Subantenna cable and FM display unit cable.
  - FM modulator unit cable and the antenna unit cable.



55. Slide the driver's seat forward, and install the unit bracket to the driver's seat rails using four 6 x 12 mm washer-bolts. Tighten the bolts securely.



56. Check that all of the wire harnesses are routed properly and all of the connectors are plugged in.
57. Reconnect the negative cable to the battery.
58. Set one of the radio station presets to FM 88.7 and check the operation of the XM radio. If necessary, use the XM radio Owner's Manual supplied.
59. Reinstall the driver's seat. Take care not to pinch the display module cable. Torque the seat bolts to 47 N·m (35 lbf·ft).
60. Reinstall all of the removed parts.
61. Enter the customer's radio anti-theft code, and reset the radio station presets.
62. Set the clock.
- NOTE: Whenever the battery is disconnected, the driver's window AUTO up function is disabled.
63. Start the engine. Push down on the driver's window switch until the window is fully open.
64. Pull up on the driver's window switch and close the window completely, then hold the switch up for at least two seconds.
65. Test the window AUTO up function.