



# INSTALLATION INSTRUCTIONS

Accessory <b>FRONT UNDER SPOILER</b>	Application <b>2003 ACCORD 4-DOOR</b>	Publications No. <b>All 24052</b>
		Issue Date <b>AUG 2002</b>

## PARTS LIST

Front under spoiler



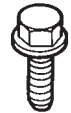
3 Clip nuts



3 Flange bolts



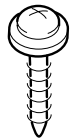
2 Washer bolts



4 Spring nuts



4 Washer-screws



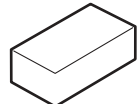
2 Collars



4 Washers



2 Cushions



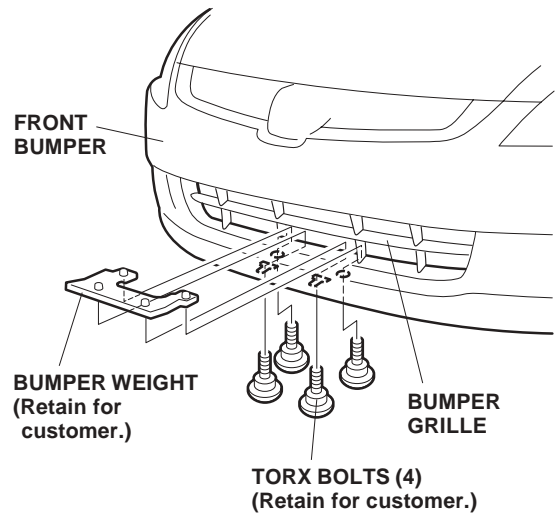
## TOOLS AND SUPPLIES REQUIRED

- Phillips screwdriver
- Flat-tip screwdriver
- Ratchet
- 10 mm Socket
- Torx driver
- Masking tape
- Isopropyl alcohol
- Shop towel

## INSTALLATION

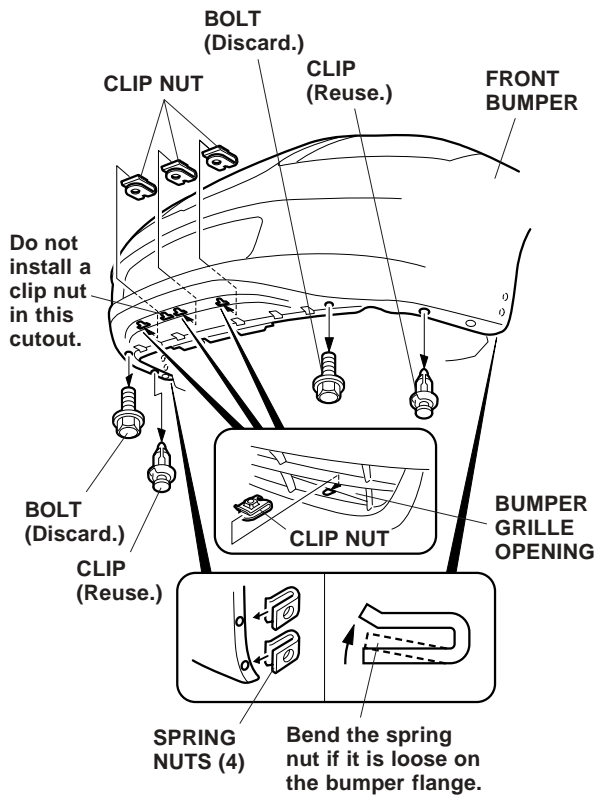
### NOTE:

- Be careful not to damage the front bumper and the body paint finish.
  - This front under spoiler should be installed only if the outside air temperature is 60°F (15°C) or above.
  - To allow the adhesive to “cure”, do not wash the car for 24 hours.
1. Remove the four Torx bolts that fasten the bumper weight to the front bumper, and remove the bumper weight through the bumper grille.

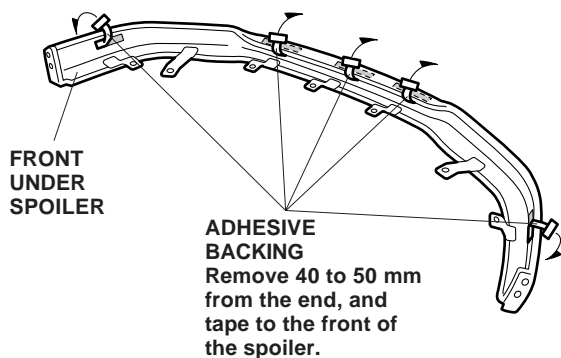


NOTE: Retain the bumper weight and Torx bolts for the customer in the event the front under spoiler is removed.

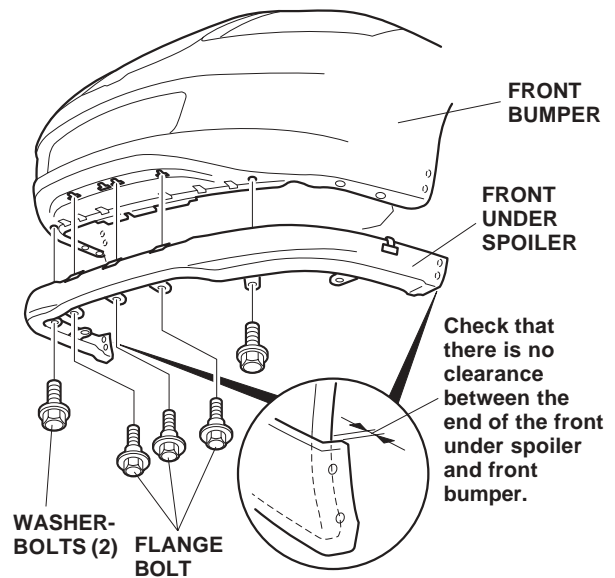
- Remove the two clips and the two bolts from the front bumper. Slide the four spring nuts (two on each side) over the dimpled areas of the front bumper. Bend the spring nuts if they are loose on the bumper flange. Reach through the bumper grille, and slide the three clip nuts onto the bottom flange of the front bumper from the inside. Note the locations and direction of the clip nuts.



- Attach a strip of the masking tape to the ends of the five adhesive backings, and remove 40 to 50 mm of the adhesive backing. Fold the ends back, and tape the ends to the front of the front under spoiler.

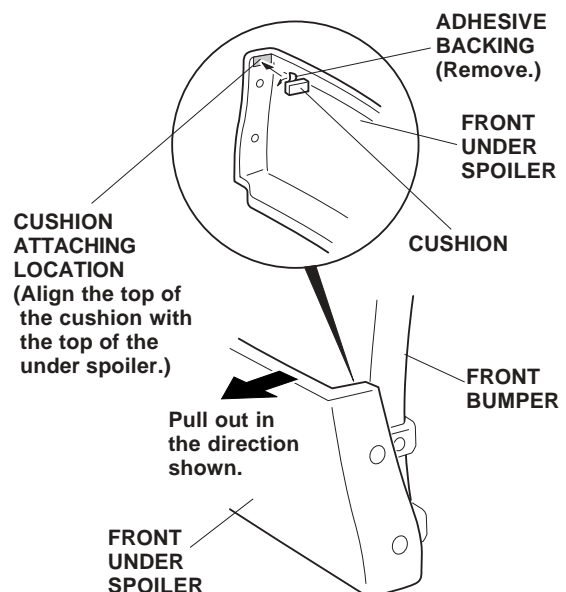


- Using isopropyl alcohol on a shop towel, thoroughly clean the area where the front under spoiler will attach.
- Position the front under spoiler on the front bumper, and install the three flange bolts and the two washer-bolts.

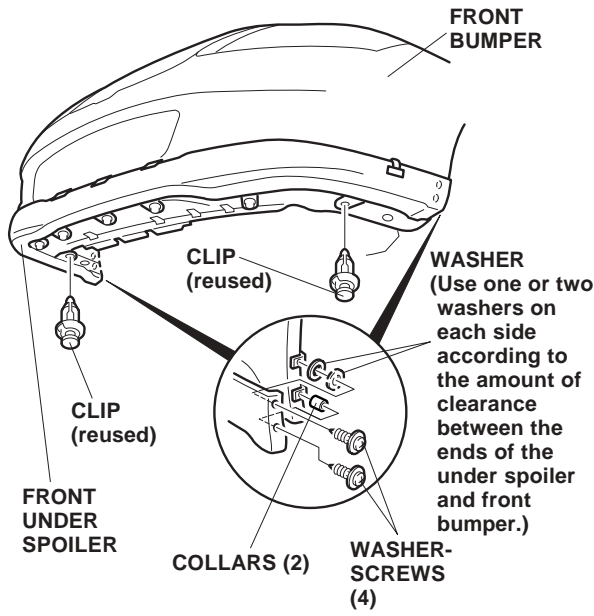


If there is clearance, perform steps 6, 7 and 9. If there is no clearance, go to step 8.

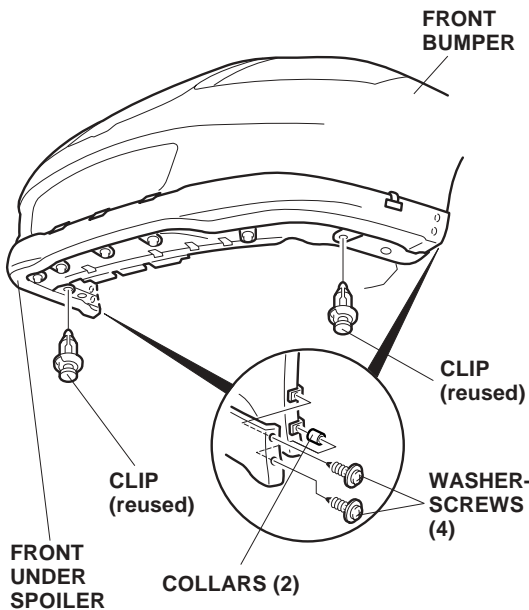
- Remove the adhesive backing from the cushion, pull the under spoiler out in the direction shown, then attach the cushion to the end of the under spoiler sidewise by aligning the top of the cushion with the top of the under spoiler as shown.



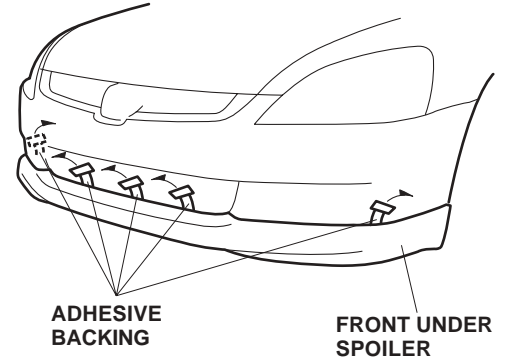
- Secure the front under spoiler to the front bumper with the two clips and the four washer-screws (with the two collars sandwiched between the lower holes in the ends of the under spoiler and front bumper, and two or four washers between the upper holes in the same ends according to the amounts of clearance between the ends of the under spoiler and front bumper) as shown.



- Secure the front under spoiler with the two clips and the four washer-screws (with two collars).



- While holding light pressure on the front under spoiler, carefully remove the adhesive backings from the front under spoiler in the direction shown. Using the palm of your hand, hold the front under spoiler firmly against the front bumper for 30 seconds.



**Please give a copy of this page to your customer.**

- Be sure to remove the front bumper and the front under spoiler when using the towing hooks. Damage to the front bumper, the front under spoiler and the body frame will result if this instruction is not followed.
- Have the front bumper and the front under spoiler removed and reinstalled by your authorized Honda dealer.

