



# INSTALLATION INSTRUCTIONS

Accessory  
**SURFBOARD ATTACHMENT**  
P/N 08L05-TA1-100

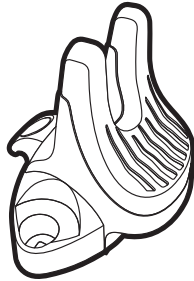
Application  
**2018 RIDGELINE**

Publications No.  
**VERSION 1**  
Issue Date  
**JUL 2017**

Put this information in the glove box with the vehicle owner's manual.

## PARTS LIST

4 Bases



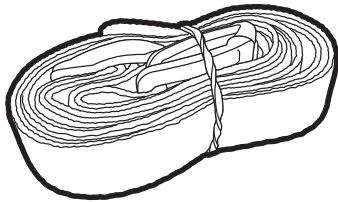
8 Knobs



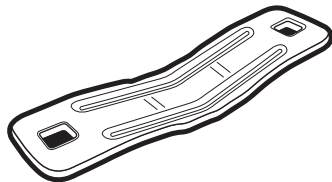
8 Bolts



2 Attachment Straps



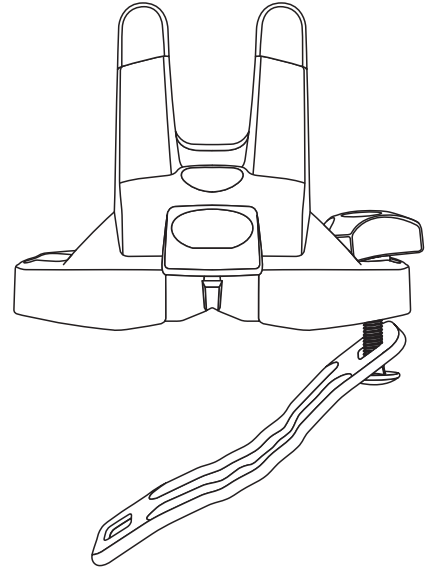
4 Metal brackets



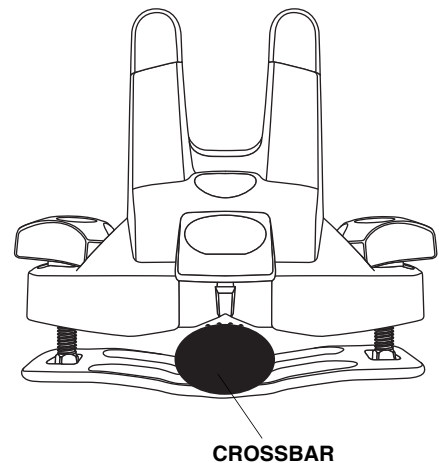
## INSTALLATION

NOTE: Be careful not to damage the paint finish.

1. Loosely install a bolt, knob, and metal bracket to a base.



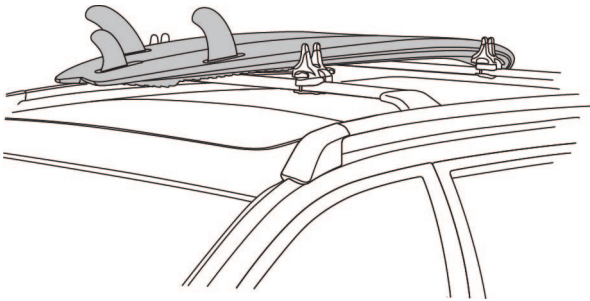
2. Position the base on the crossbar. Loosely install a bolt and knob as shown.



3. Repeat steps 1 and 2 for the three remaining bases.

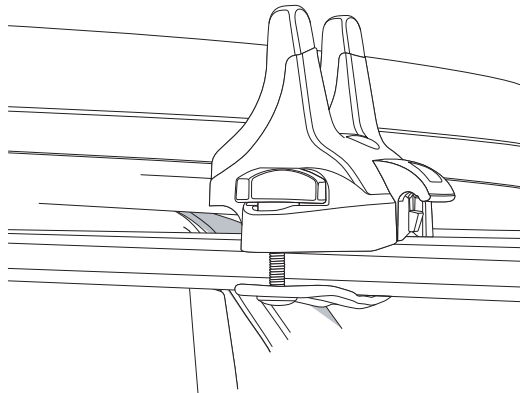
- Center the surfboard upside down on the roof of the vehicle with the tail toward the front of the vehicle.

**NOTE:** When mounting two boards, place the second board on top of the first.



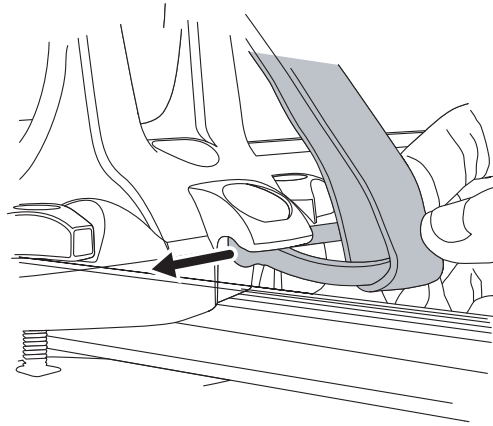
- Adjust the position of the bases so that the bottom of the surfboard rests on the rubber part of the bases. Tighten all knobs firmly and evenly.

**NOTE:** The crossbars must be at least 24 in. (610 mm) apart for proper use.

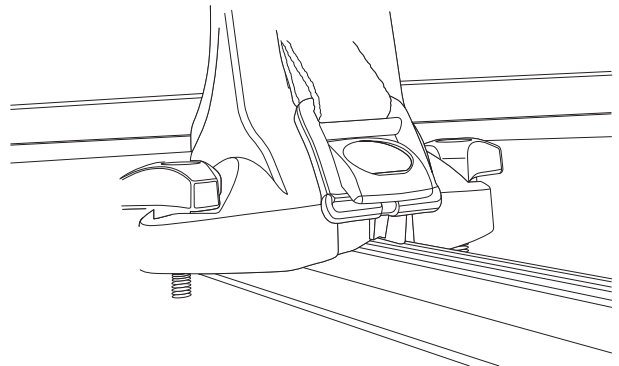


- Slide the buckle on an attachment strap into the clip on the base.

**NOTE:** For proper alignment, the buckle must be fully inserted into the clip as shown.



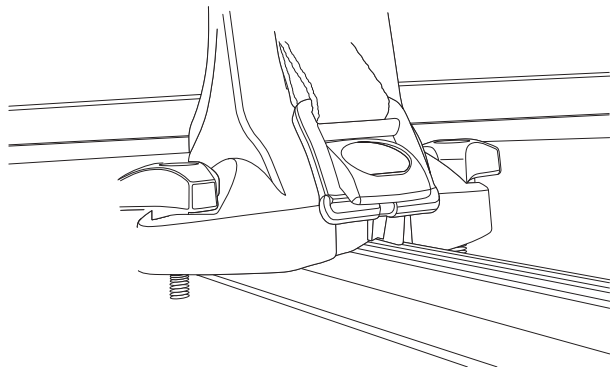
- Rotate the buckle up to lock it to the base. Attach the buckle at the other end of the strap to the other base and lock it in place.



- Repeat steps 6 and 7 to install the other strap.

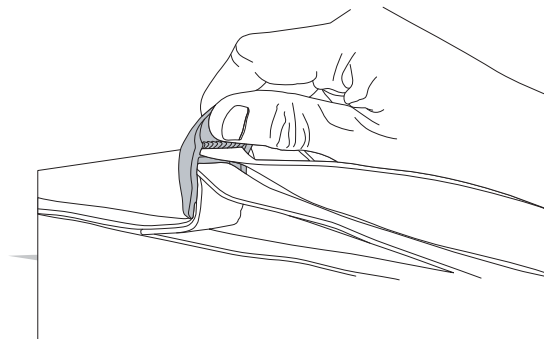
9. Pull the ends of the attachment straps to secure the surfboard to the carrier. Make certain all mounting hardware is secure, then tighten as necessary.

**NOTE:** Be careful not to overtighten the attachment straps as you could damage the surfboard.



## Surfboard Removal

1. Open the latches to loosen the attachment straps.



2. Rotate the buckles down to unlock the attachment straps, and slide the buckles out of the bases.

