

<b>Accessory</b>  <b>AMBIENT LIGHTS</b> <b>P/N 08E10-T7S-100</b>	<b>Application</b>  <b>2016 HR-V</b>	<b>Publications No.</b> <b>VERSION 1</b>
		<b>Issue Date</b> <b>APR 2015</b>

## PARTS LIST

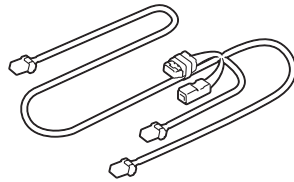
2 Ambient lights



Bracket



Ambient light harness



8 Wire ties



Fuse label



3 Self-tapping screws



## TOOLS AND SUPPLIES REQUIRED

Phillips screwdriver

10 mm Open end wrench

Ratchet

10 mm Socket

Diagonal cutters

Isopropyl alcohol

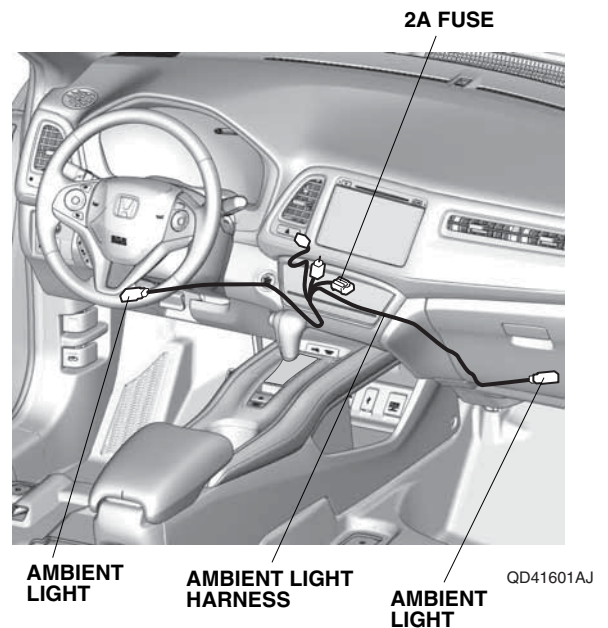
Shop towel

Tape

*The following tools are available through the Honda Tool and Equipment Program. On the iN, click on: Service > Service Bay > Tool and Equipment Program, then enter the number under "Search." Or, call 888-424-6857.*

- Trim Tool Set (T/N SOJATP2014)
- Plastic Trim Tool (T/N SILTRIMTL10)

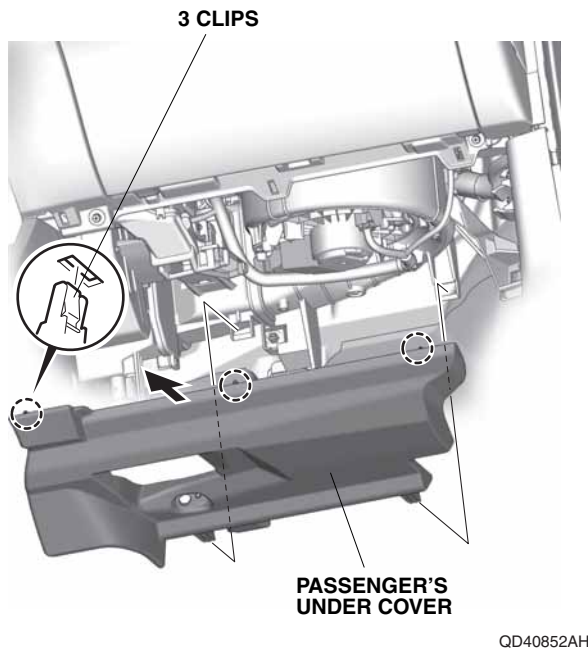
## Illustration of the Ambient Lights in the Vehicle



## INSTALLATION

**Customer Information:** The information in this installation instruction is intended for use only by skilled technicians who have the proper tools, equipment, and training to correctly and safely add equipment to your vehicle. These procedures should not be attempted by “do-it-yourselfers.”

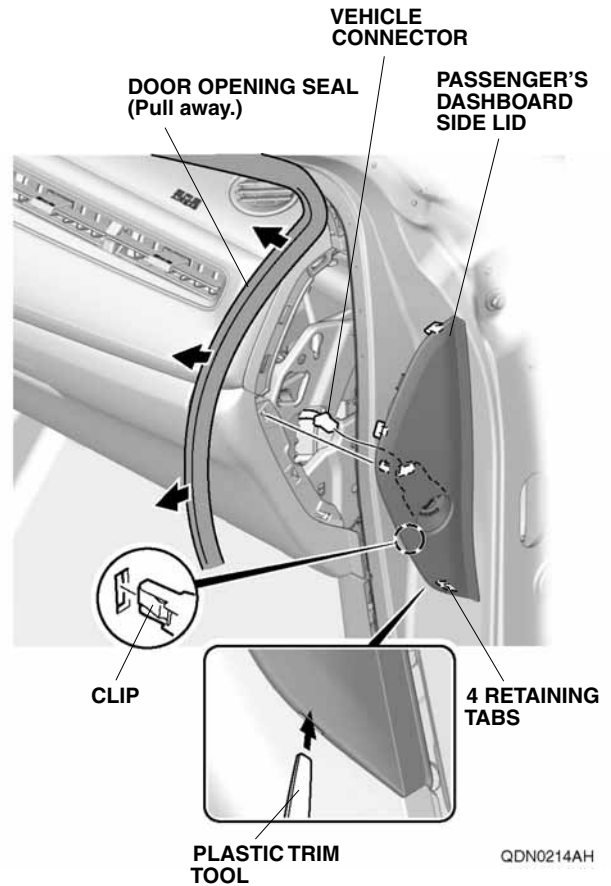
1. Disconnect the negative cable from the battery, then wait at least three minutes before starting work.
2. Remove the passenger's under cover.



- If the vehicle is equipped with a front passenger's airbag ON/OFF switch, continue with step 3. If not, go to step 4.

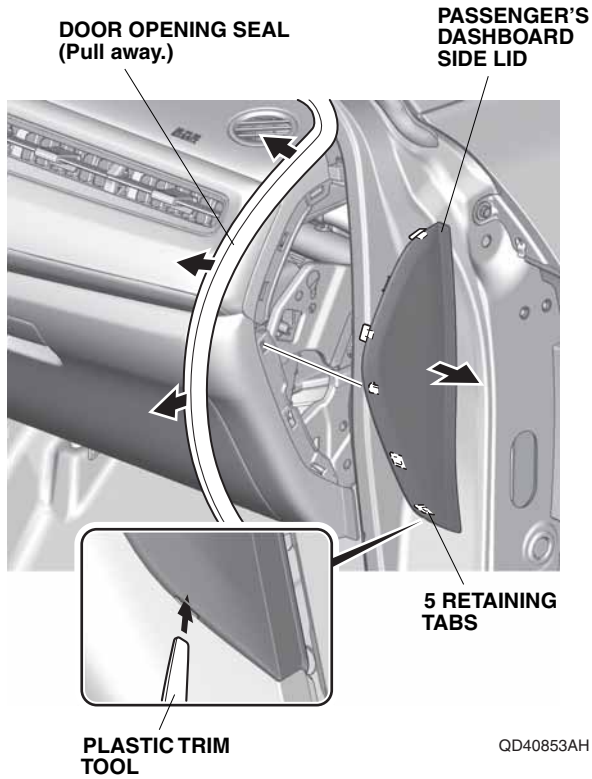
### With front passenger's airbag ON/OFF switch

3. Pull away the door opening seal, and remove the passenger's dashboard side lid and unplug the vehicle connector.  
Go to step 5.

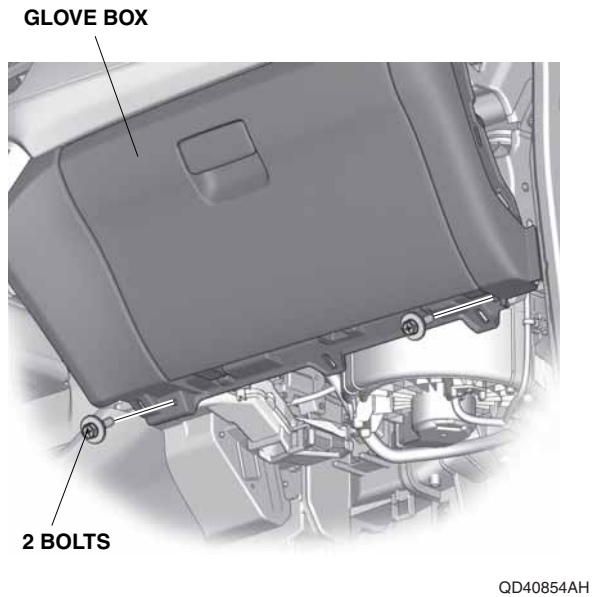


**Without front passenger's airbag ON/OFF switch**

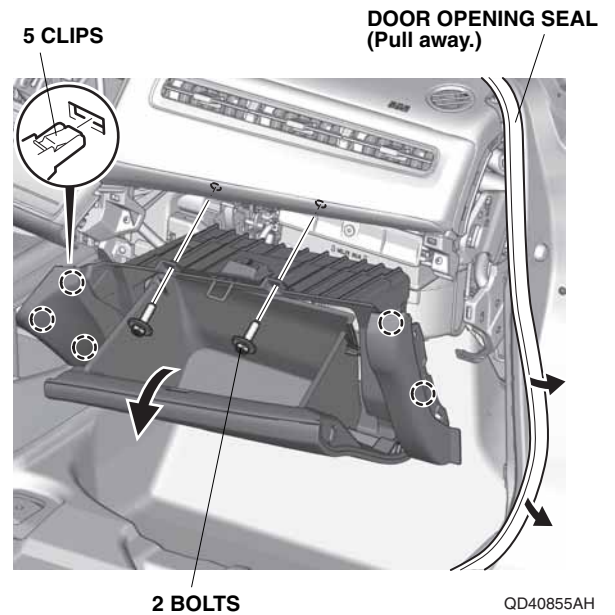
4. Pull away the door opening seal, and remove the passenger's dashboard side lid.



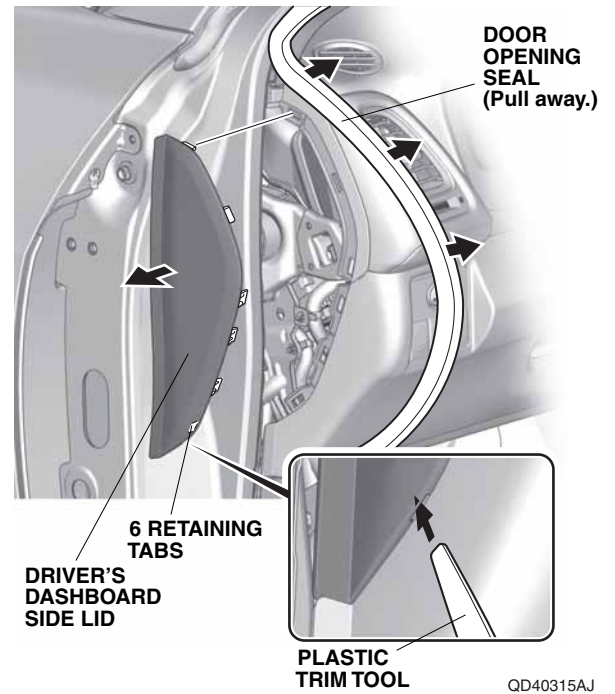
5. Remove the two bolts from the glove box.



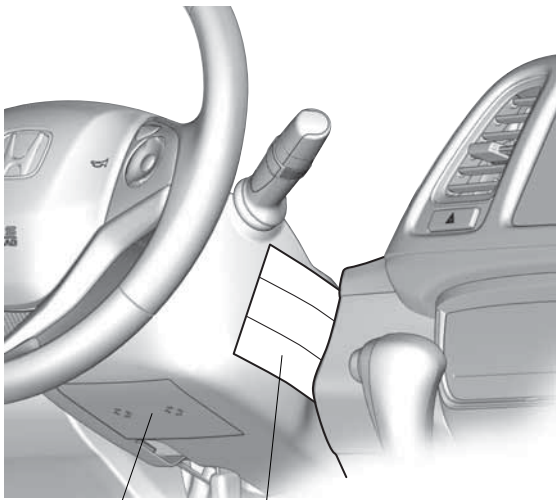
6. Pull away the door opening seal, open the glove box, and remove the glove box.



7. Pull away the door opening seal and remove the driver's dashboard side lid.



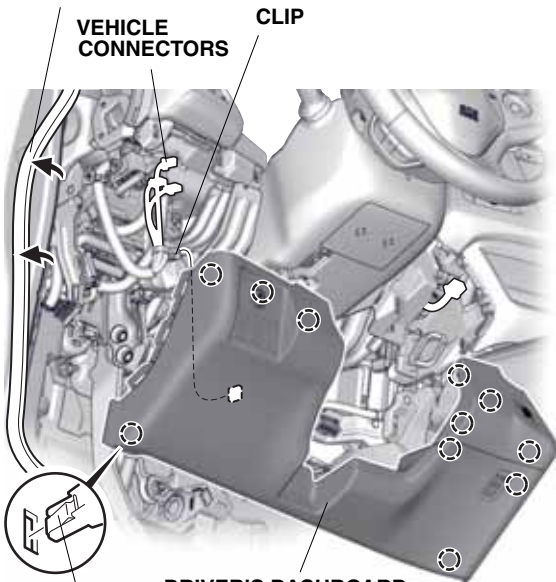
- Attach tape to the lower column cover.



**LOWER COLUMN COVER** **TAPE** QD40316AJ

- Pull away the door opening seal, and remove the driver's dashboard lower cover and unplug the vehicle connectors.

**DOOR OPENING SEAL**  
(Pull away.)



**11 CLIPS** **DRIVER'S DASHBOARD LOWER COVER** **VEHICLE CONNECTORS** **CLIP** QD40317AJ

- If the vehicle is equipped with automatic climate control, continue with step 10. If not, go to step 13.

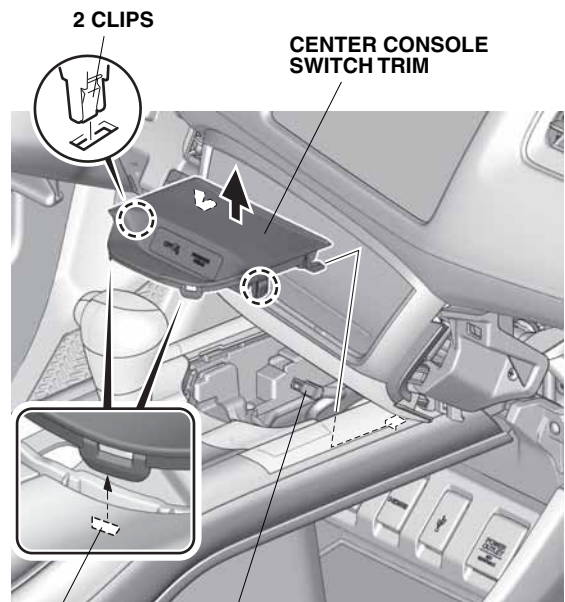
**With automatic climate control**

- Apply tape to the climate control unit, center console panel, center console pad, and shift lever as shown. Shift the shift lever to D.



**SHIFT LEVER (D POSITION)** **TAPE** **CLIMATE CONTROL UNIT** **CENTER CONSOLE PANEL** **CENTER CONSOLE PAD** QD41602AJ

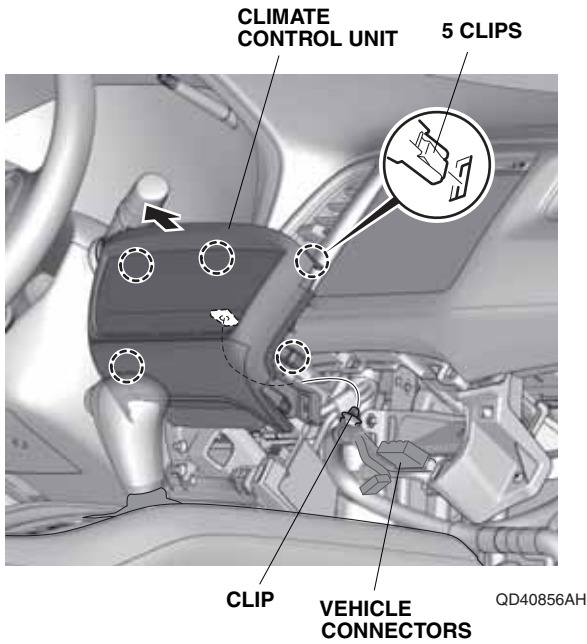
- Remove the center console switch trim and unplug the vehicle connector.



**2 CLIPS** **CENTER CONSOLE SWITCH TRIM** **2 RETAINING TABS** **VEHICLE CONNECTOR** QD41603AJ

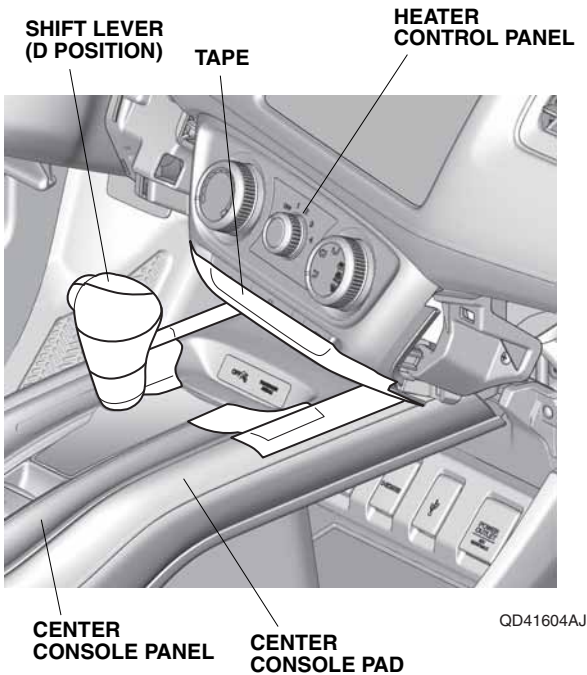


- Remove the climate control unit and unplug the vehicle connectors.  
Go to step 18.

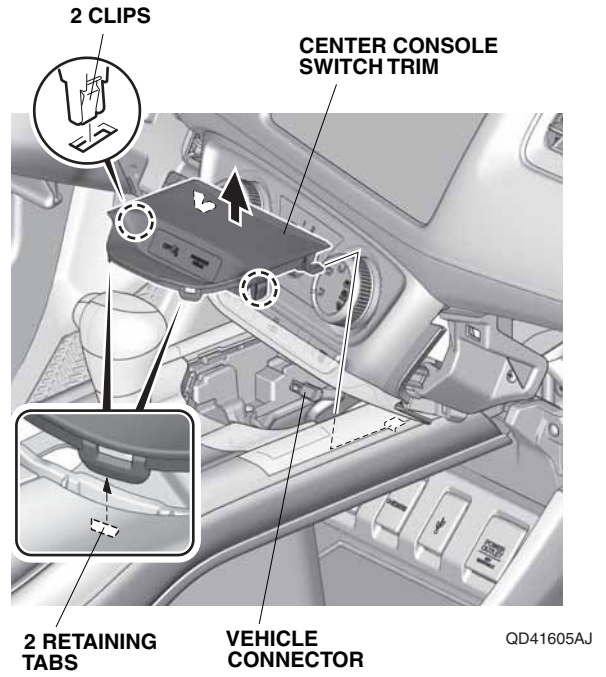


**With manual climate control**

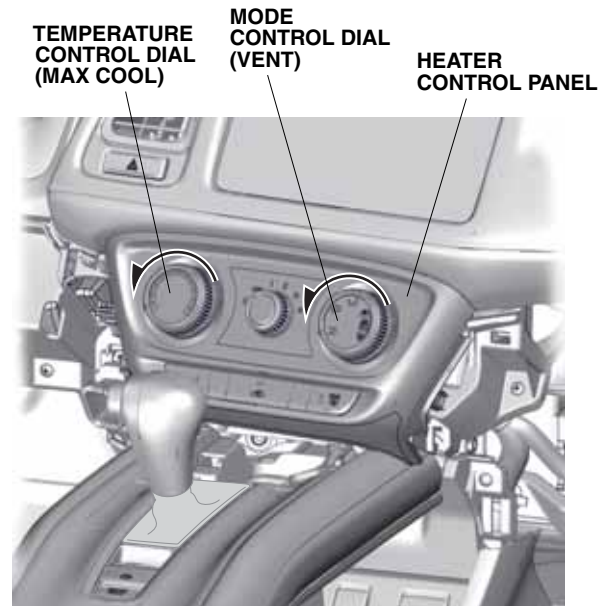
- Apply tape to the heater control panel, center console panel, center console pad, and shift lever as shown. Shift the shift lever to D.



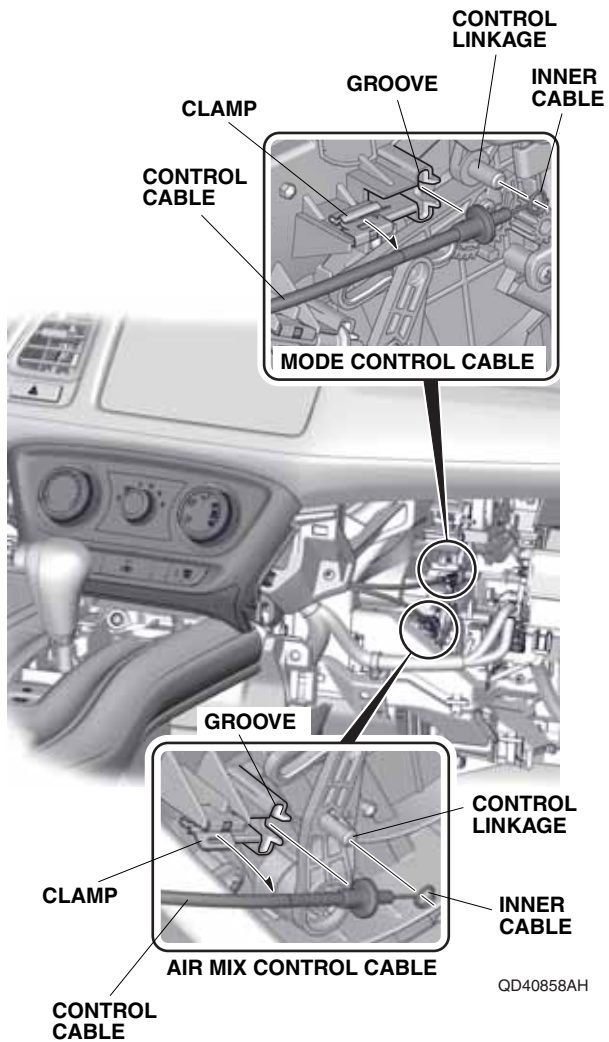
- Remove the center console switch trim and unplug the vehicle connector.



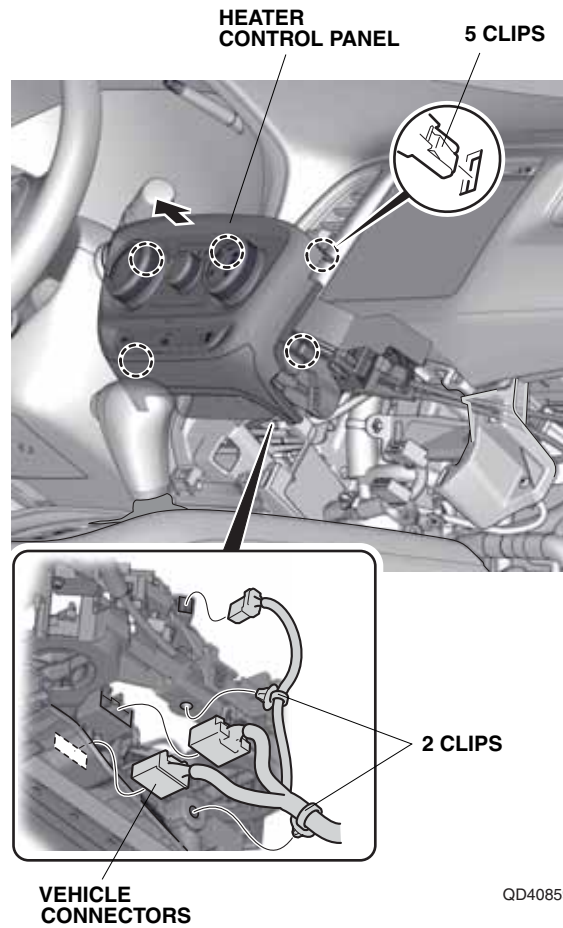
- Set the mode control dial and the temperature control dial as shown.



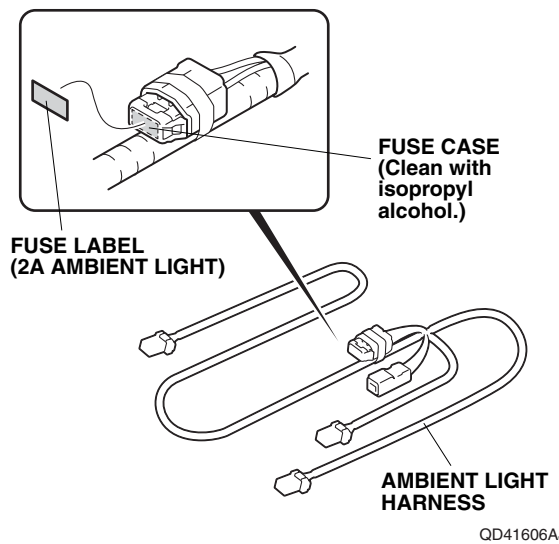
16. Remove the mode control cable and air mix control cable:
- Remove the control cable from the clamp and the groove.
  - Remove the inner cable from the control linkage.



17. Remove the heater control panel and unplug the vehicle connectors.

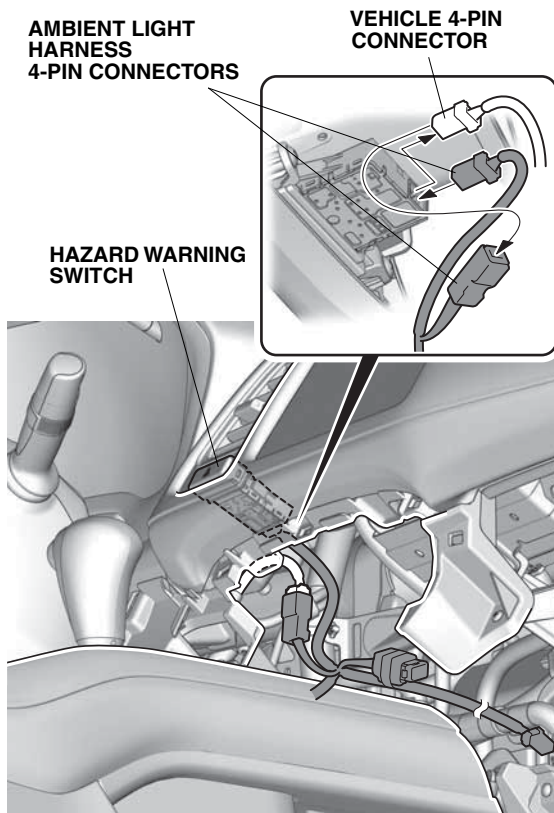


18. Using isopropyl alcohol on a shop towel, clean the fuse case where the fuse label will attach.



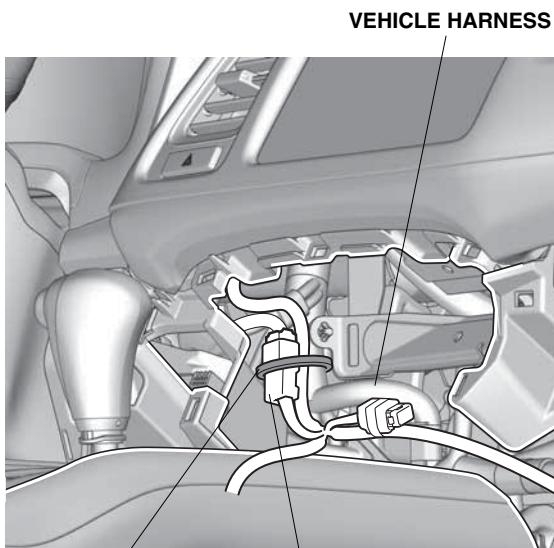
19. Attach the fuse label to the ambient light harness fuse case.

20. Unplug the vehicle 4-pin connector from the hazard warning switch, and plug it into the ambient light harness 4-pin connector. Plug the remaining ambient light harness 4-pin connector into the hazard warning switch.



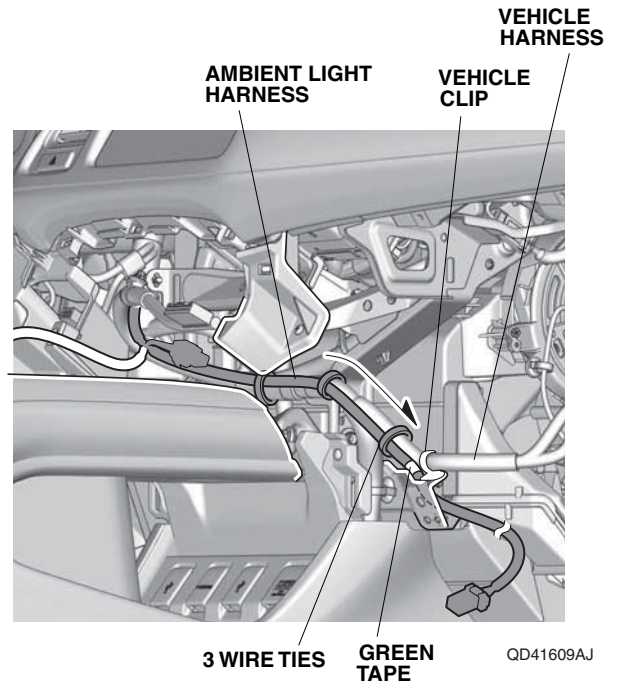
QD41607AJ

21. Secure the 4-pin connectors and ambient light harness to the vehicle harness with one wire tie.

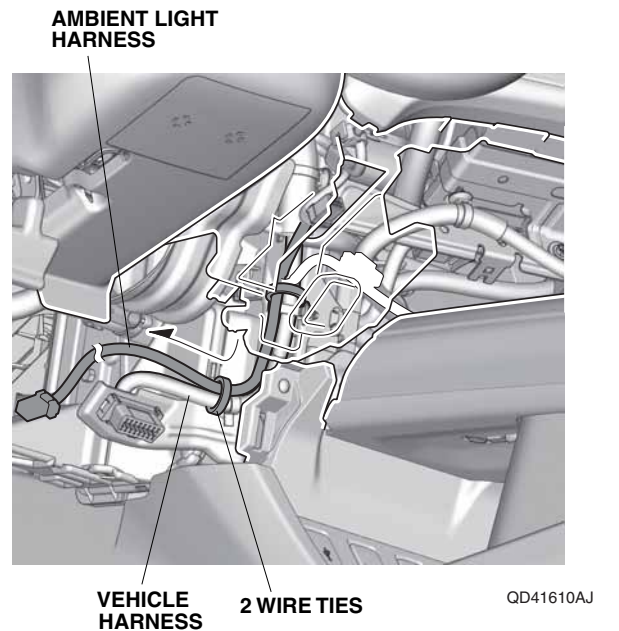


QD41608AJ

22. Route the ambient light harness as shown. Align the green tape on the ambient light harness with the vehicle clip, and secure the ambient light harness to the vehicle harness with three wire ties.

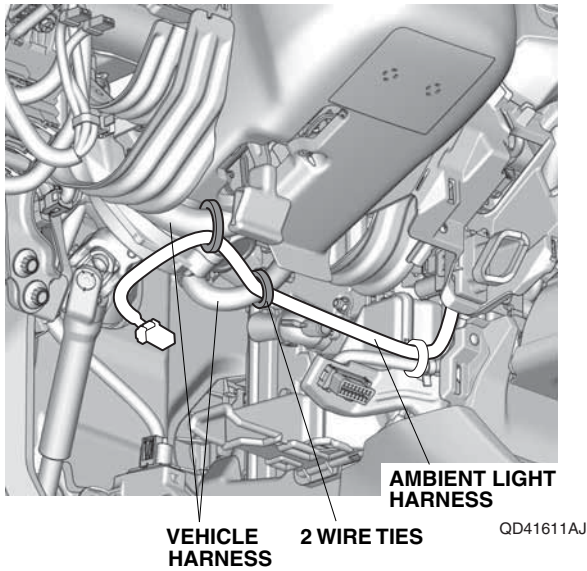


23. Route the ambient light harness as shown. Secure the ambient light harness to the vehicle harness with two wire ties.

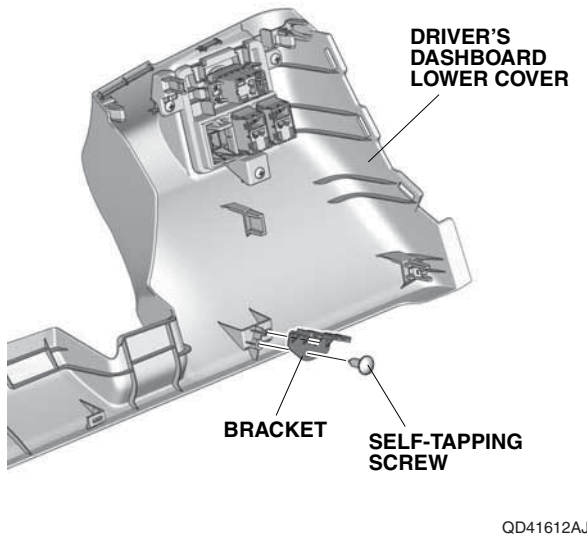




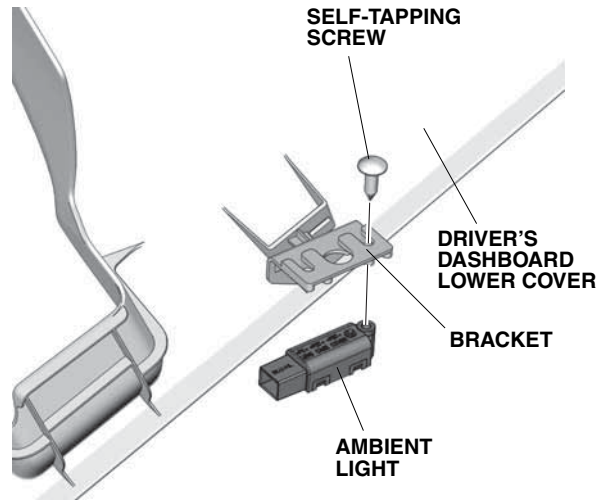
24. Secure the ambient light harness to the vehicle harness with two wire ties.



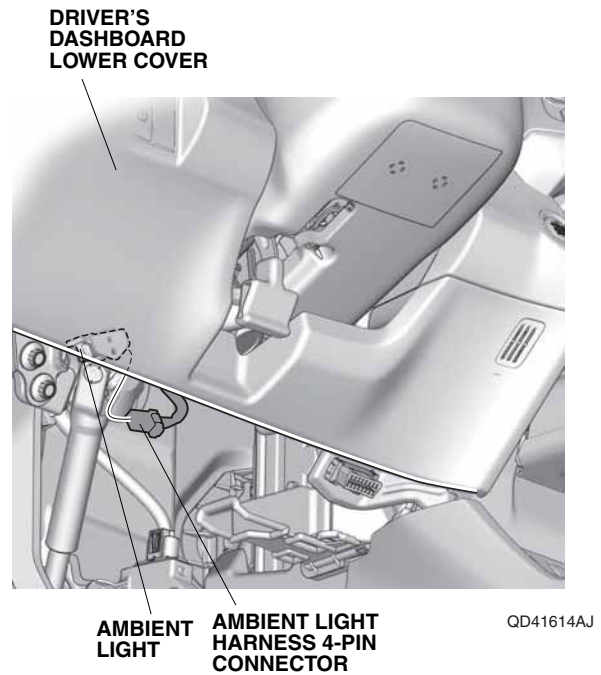
25. Reinstall the climate control unit or heater control panel and glove box.
26. Install the bracket on the driver's dashboard lower cover with one self-tapping screw.



27. Install the ambient light on the bracket with one self-tapping screw.

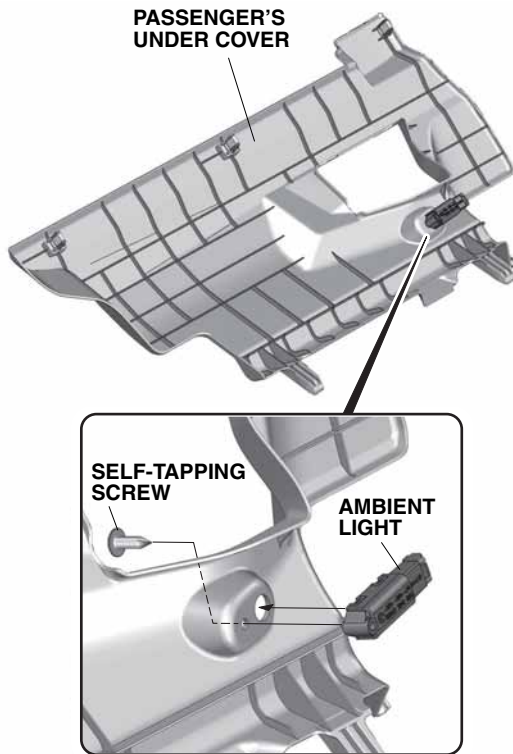


28. Plug the ambient light harness 4-pin connector into the ambient light, and reinstall the driver's dashboard lower cover.



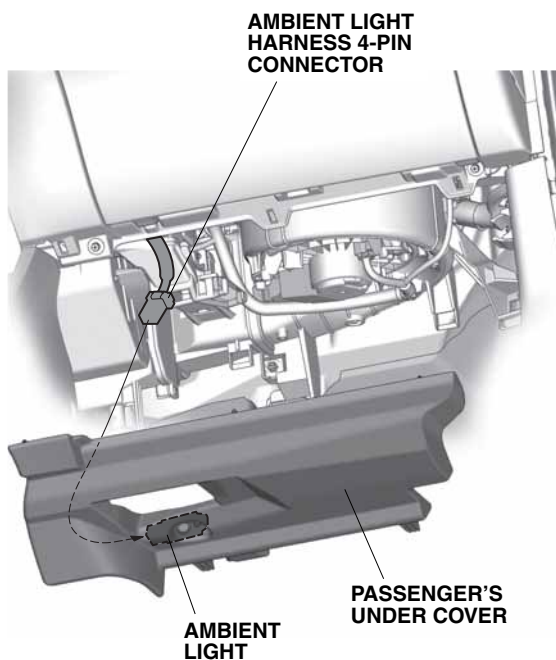


29. Install the ambient light on the passenger's under cover with one self-tapping screw.



QD41615AJ

30. Plug the ambient light harness 4-pin connector into the ambient light, and reinstall the passenger's under cover.

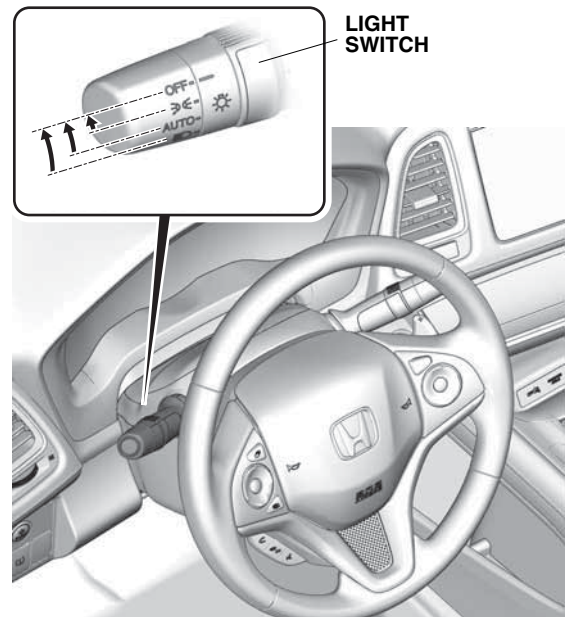


QD41616AJ

31. Check that all wire harnesses are routed properly and all connectors are plugged in.
32. Reinstall all removed parts.
33. Connect the negative cable to the battery.
34. Turn the engine switch to ON; the SRS indicator should come on for about 6 seconds and then go off.
35. Press and hold the radio power button for two seconds to restore the audio and navi (if equipped) system functions.
36. Reset the clock.
37. Restore the systems back to normal operation as described in the Service Manual if necessary.

#### Check the Operation of the Ambient Light

- With the light switch set to the “OFF” or “D” position, the ambient lights are on.
- When the headlight switch is in the “AUTO” position, the ambient lights are on with the parking lights or headlights.
- If the ambient lights do not come on, check the fuse and all the connectors.



QD41617AJ