

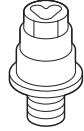


# INSTALLATION INSTRUCTIONS

<b>Accessory</b> <b>ENGINE BLOCK HEATER</b> <b>P/N 08T44-SNA-102</b>	<b>Application</b> <b>2016 ACCORD</b> <b>4-DOOR V6</b>	<b>Publications No.</b> <b>VERSION 1</b>
		<b>Issue Date</b> <b>AUG 2015</b>

## PARTS LIST

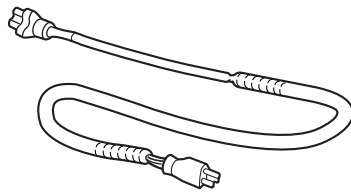
Engine block heater



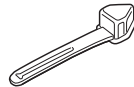
Aluminum washer



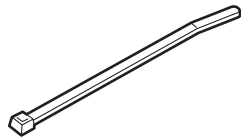
Heater harness



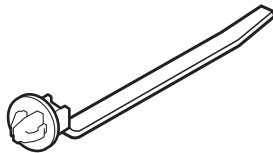
Protective cap



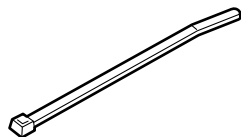
12 Black wire ties  
(6 not used)



7 Wire ties with clip  
(4 not used)



5 Wire ties (Natural)



## TOOLS AND SUPPLIES REQUIRED

Ratchet

10 mm, 19 mm, and 24 mm Sockets

10 mm Open end wrench

Torque wrench

Diagonal cutters

Heavy gloves

Drain pan

Tape measure

White marker

Coolant (Honda All Season Antifreeze/Coolant Type 2)

Fender cover

Phillips screwdriver

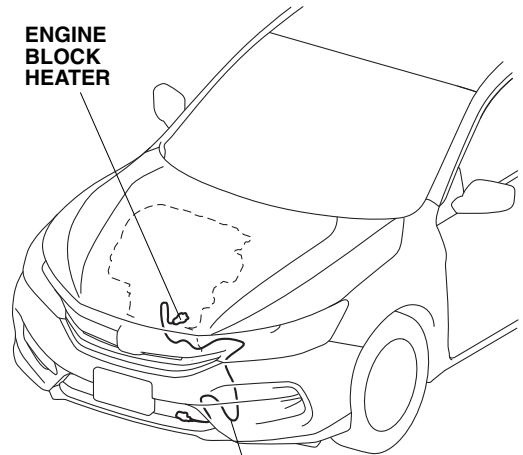
Masking tape

Blanket

*The following tool is available through the Honda Tool and Equipment Program. On the iN, click on Service > Service Bay > Tool and Equipment Program, then enter the number under "Search." Or, call 888-424-6857.*

- Trim Tool Set (T/N SOJATP2014)

## Illustration of the Engine Block Heater in the Vehicle



ENGINE BLOCK HEATER

HEATER HARNESS

QE13001AG

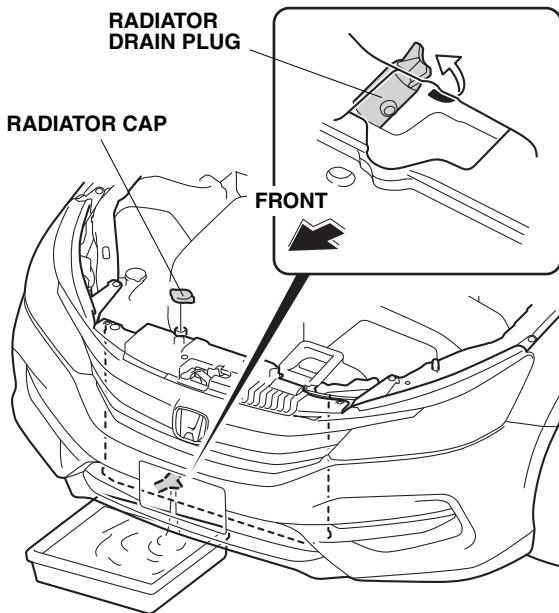
## INSTALLATION

**Customer Information:** The information in this installation instruction is intended for use only by skilled technicians who have the proper tools, equipment, and training to correctly and safely add equipment to your vehicle. These procedures should not be attempted by “do-it-yourselfers.”

### NOTE:

- Always use, Honda All Season Antifreeze/Coolant Type 2. Using a non-Honda coolant can result in corrosion, causing the cooling system to malfunction or fail.
  - To avoid burning out the element, do not operate the engine block heater until it is installed in the vehicle and you have added coolant.
1. Disconnect the negative cable from the battery.
  2. Allow the engine and all cooling system components to cool down.
  3. Place a clean drain pan under the radiator drain plug, then remove the drain plug from the bottom of the radiator to drain the coolant. Remove the radiator cap to increase the flow.

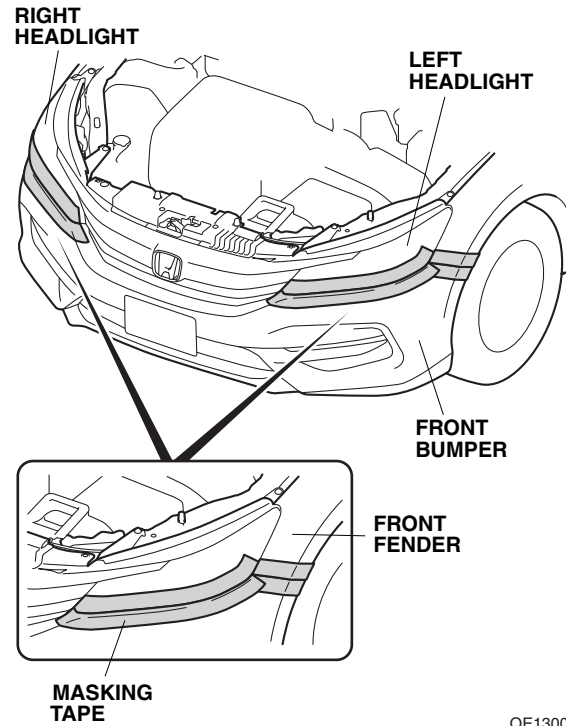
**NOTICE:** Radiator coolant will damage the paint. Quickly rinse any spilled coolant from the paint finish.



QE12912AG

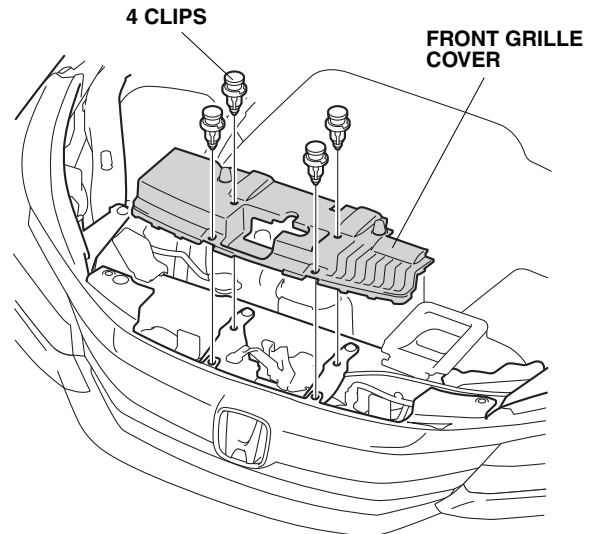
4. After the coolant drains, reinstall the radiator cap to prevent dirt and contamination from entering the radiator.

5. Attach masking tape to the front bumper, headlights and front fenders as shown.



QE13001AA

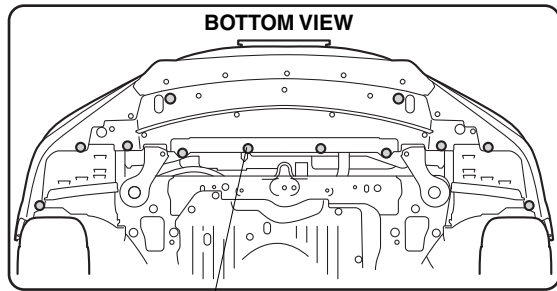
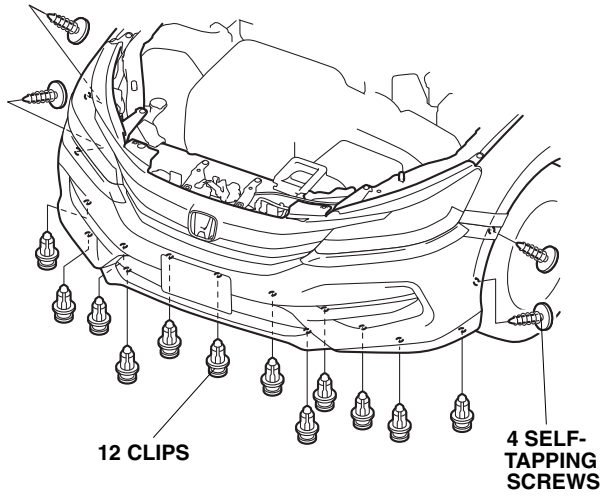
6. Remove the front grille cover.



QE13002AA

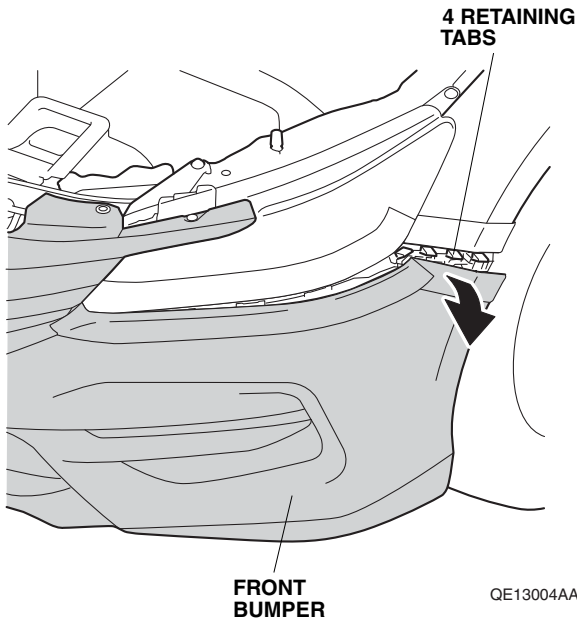
7. Remove the front bumper.

- Remove the four self-tapping screws and twelve clips.



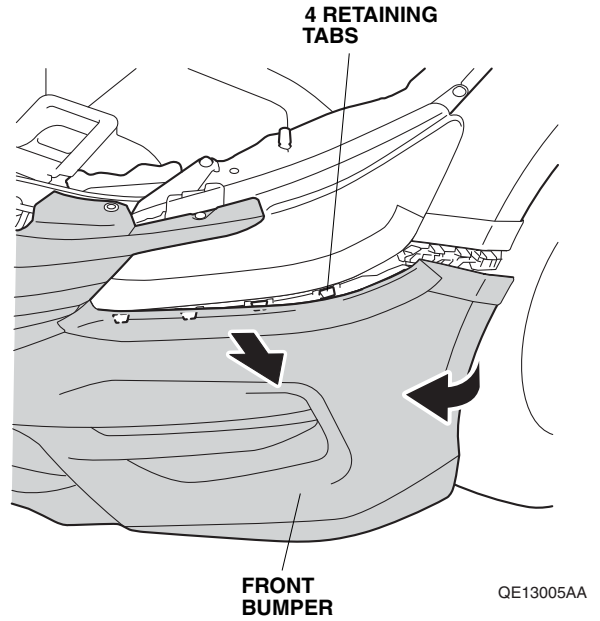
QE13003AA

- Release the four retaining tabs on each side.



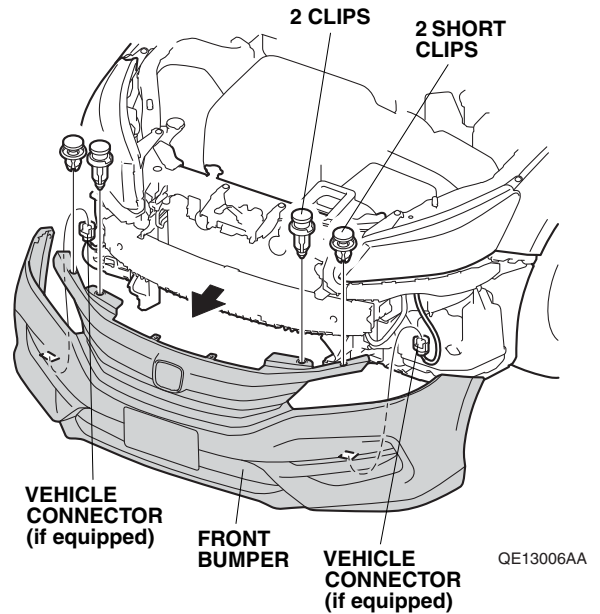
QE13004AA

- Release the four retaining tabs on each side.



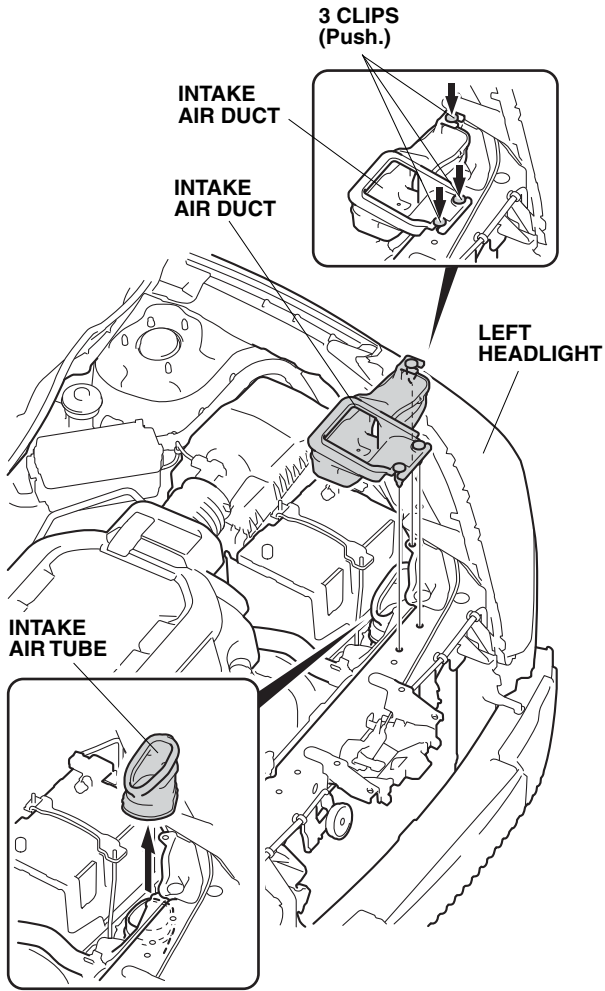
QE13005AA

- Remove the two clips and two short clips.
- With the help of an assistant, remove the front bumper.
- Place the front bumper on a blanket.



QE13006AA

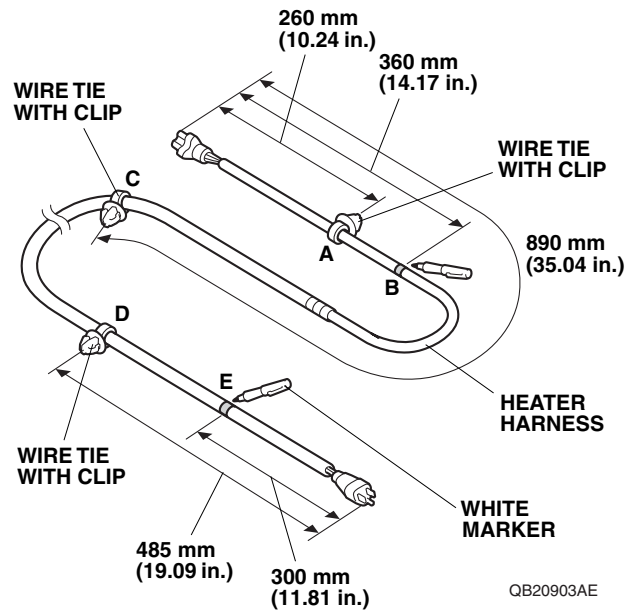
- Remove the intake air duct.



QB20902BE

- Remove the intake air tube.

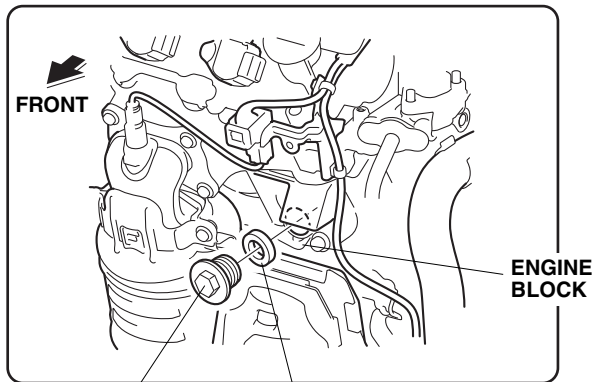
- Using a tape measure, install a wire tie with clip to the heater harness at the measurements (A), (C) and (D).



QB20903AE

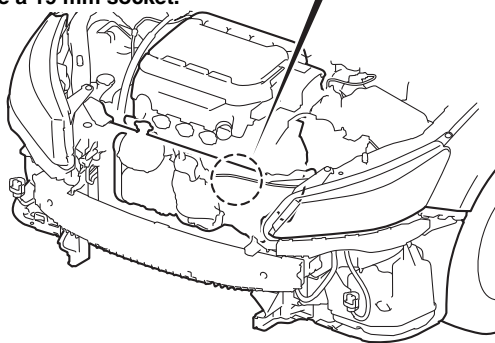
- Using a white marker, mark the heater harness at the measurements (B) and (E).

12. Locate and remove the engine block drain bolt and washer. Coolant remaining in the engine jackets will flow out of the bolt hole when the bolt is removed. (Retain the bolt in case the engine block heater is removed.)



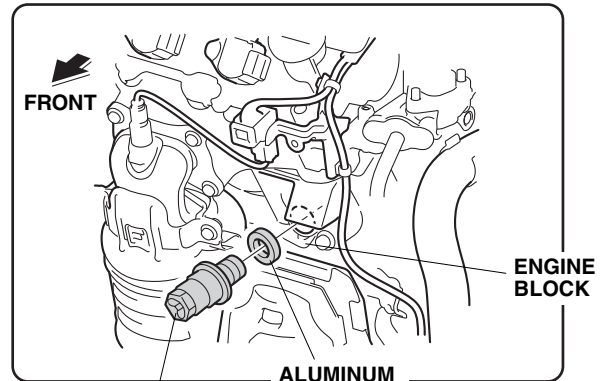
**ENGINE BLOCK  
DRAIN BOLT  
(Retain.)  
Use a 19 mm socket.**

**WASHER  
(Discard.)**



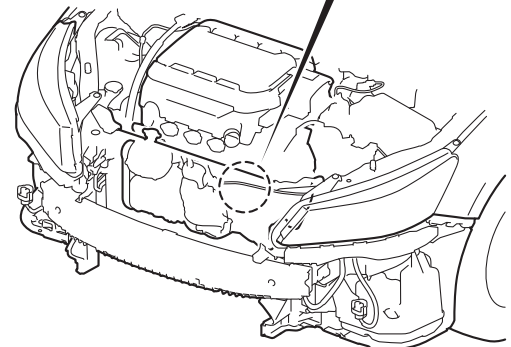
QB20904BE

13. Install the engine block heater and aluminum washer into the engine block using a 24 mm socket and a torque wrench. Torque the engine block heater to 80 N·m (59 lbf·ft).



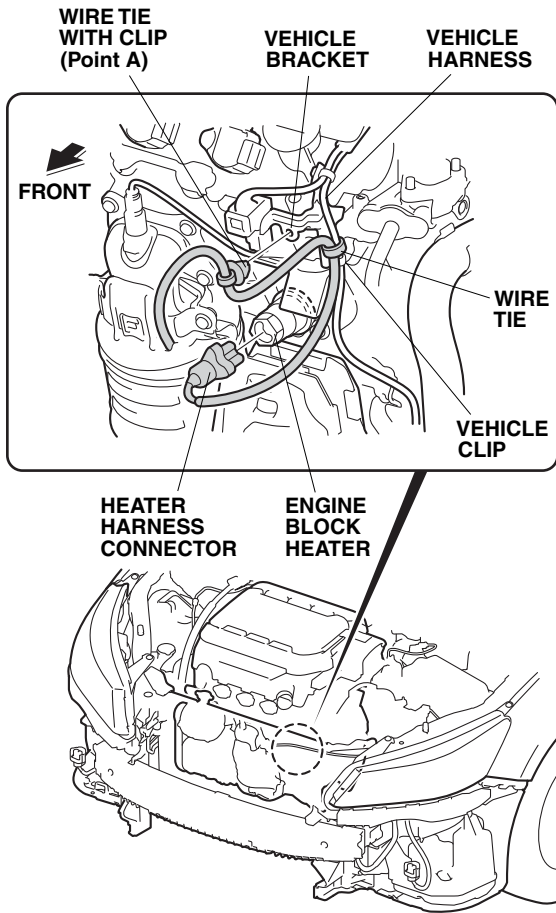
**ENGINE BLOCK HEATER  
80 N·m (59 lbf·ft)  
Use a 24 mm socket.**

**ALUMINUM  
WASHER**



QB21001BE

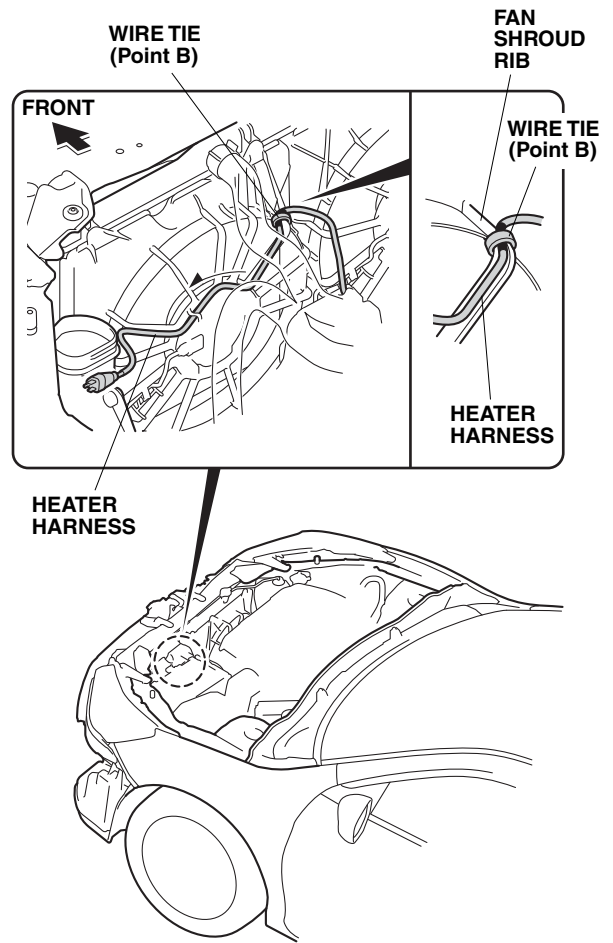
14. Plug the heater harness connector into the engine block heater. Make sure the heater harness connector is fully seated in the engine block heater.



QB21002BE

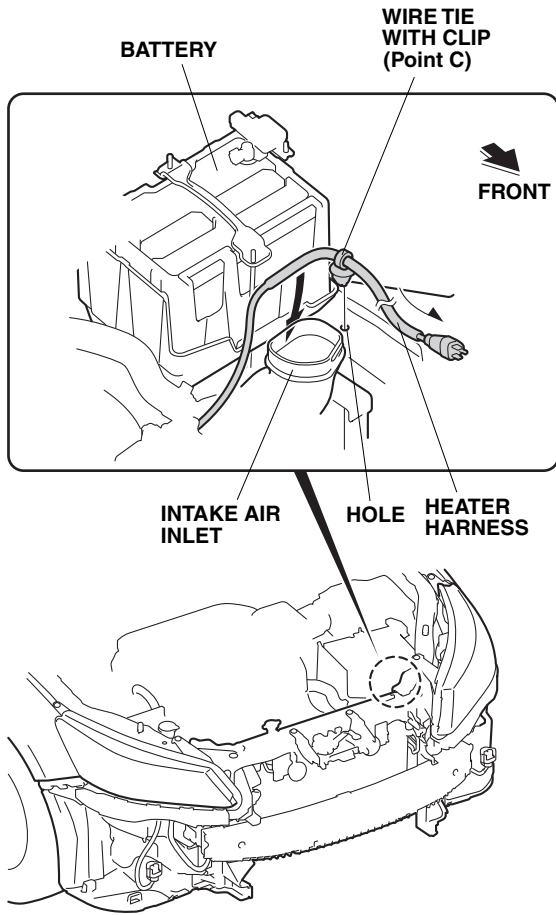
15. Route the heater harness in the direction shown, and secure the wire tie with clip (point A) to the vehicle bracket. Secure the heater harness to the vehicle harness with one wire tie.

16. Route the heater harness as shown, and secure it to the fan shroud rib with one wire tie (point B).



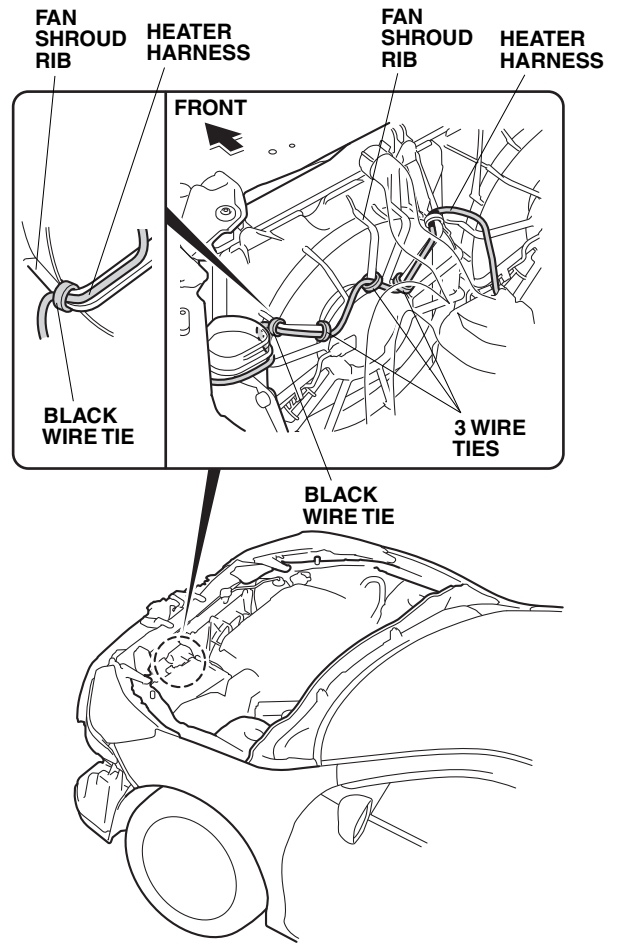
QB21003AE

- Continue routing the heater harness around the intake air inlet as shown, and secure it to the hole in the vehicle panel with the wire tie with clip (point C).



QB71301AB

- Secure the heater harness to the fan shroud rib with three additional wire ties.

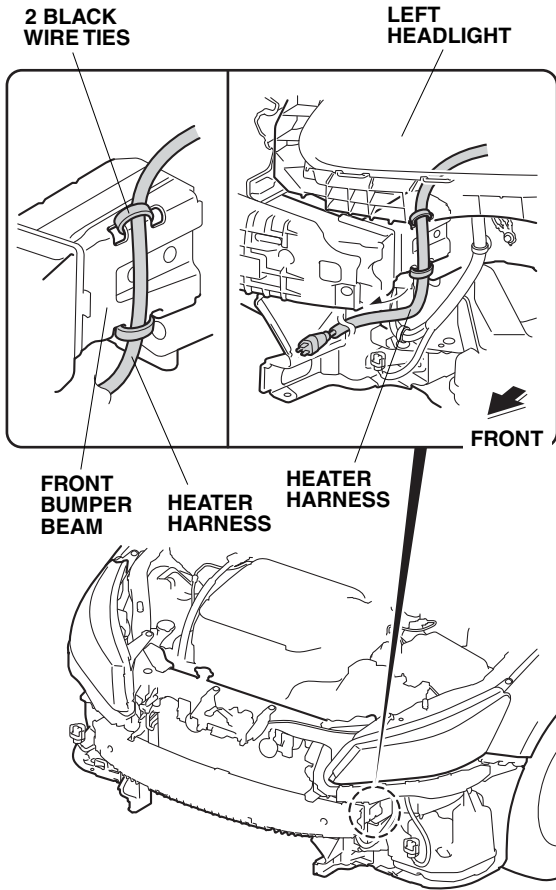


QB21302AE

- Secure the heater harness to the fan shroud rib with one black wire tie.

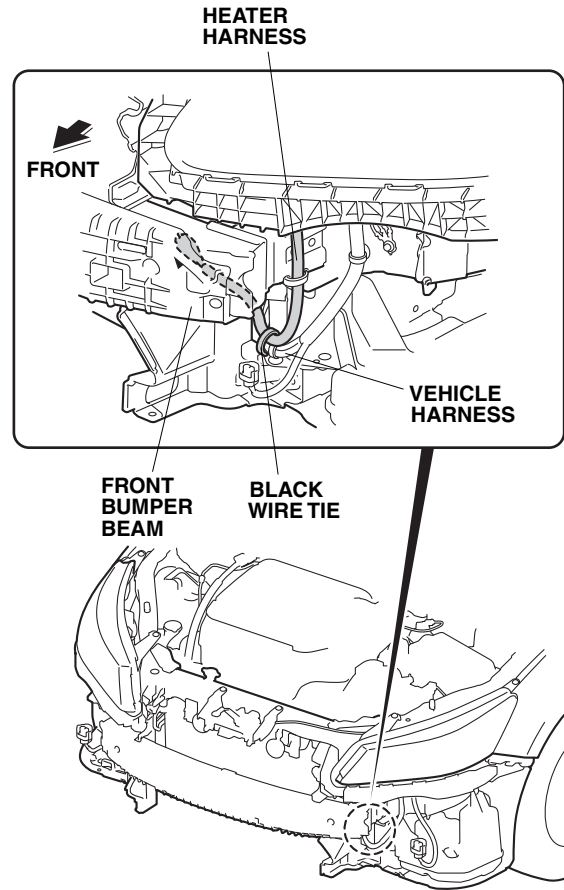


20. Route the heater harness under the left headlight, and secure it to the front bumper beam with two black wire ties.



QE71406AB

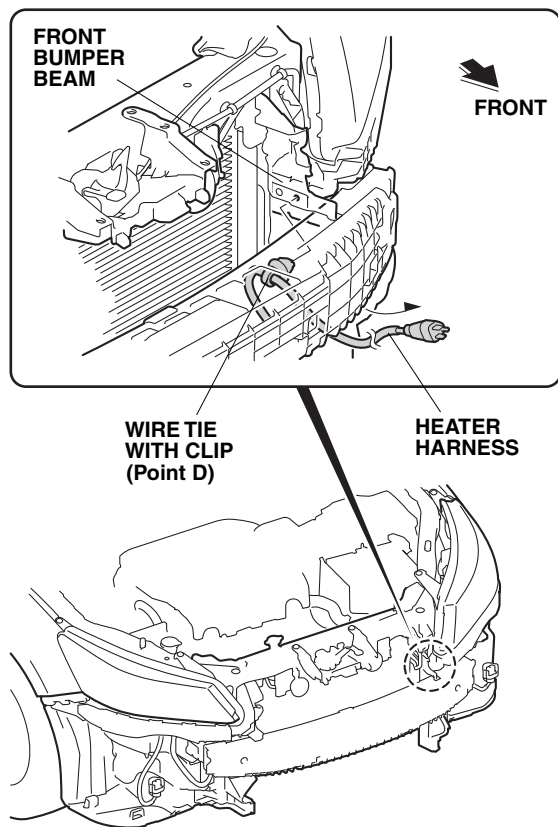
21. Route the heater harness as shown, and secure it to the vehicle harness with one black wire tie.



QE71407AB

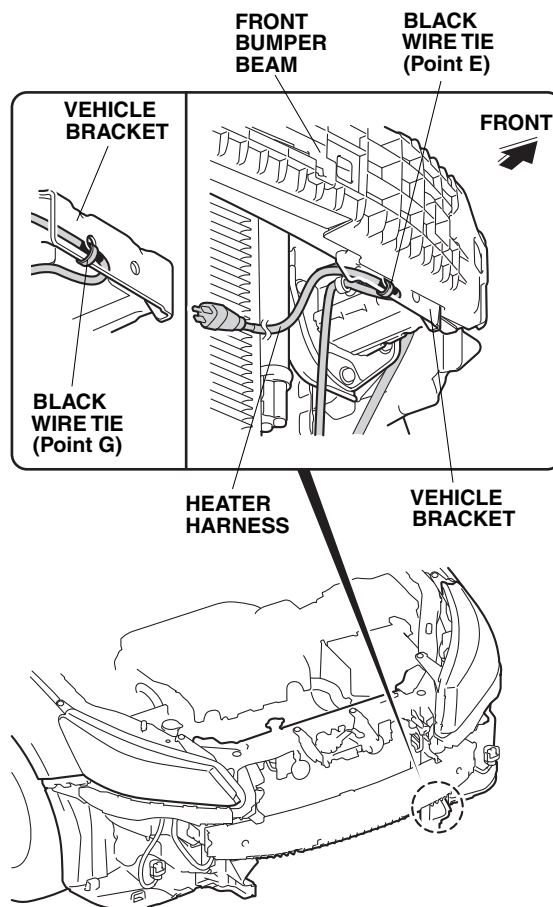


22. Route the heater harness as shown, and secure it to the front bumper beam with the wire tie with clip (point D).



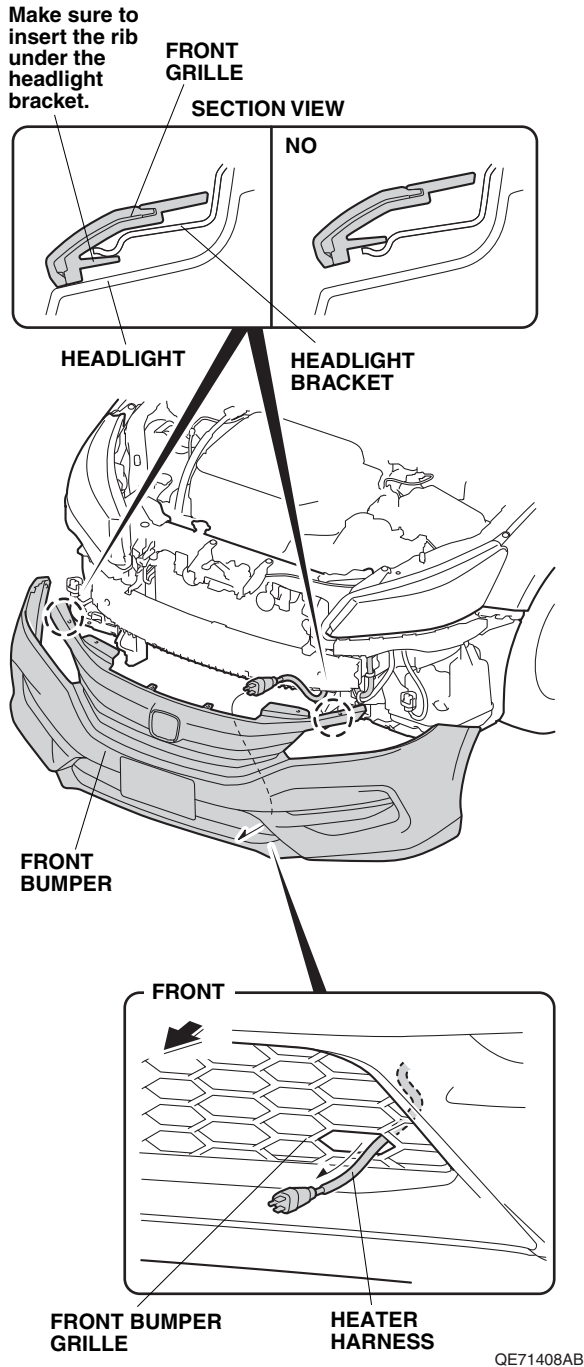
QB71303AB

23. Secure the heater harness to the vehicle bracket with one black wire tie (point E).

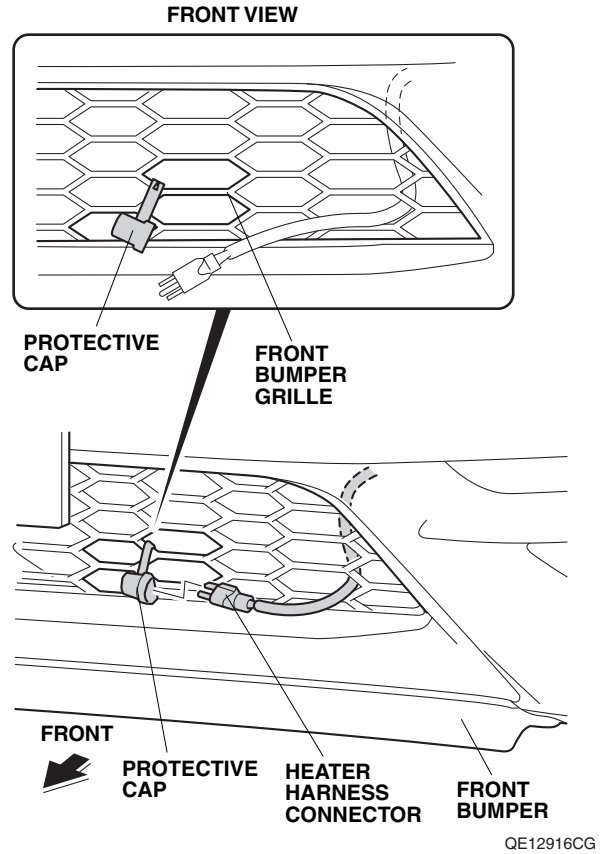


QE12913AG

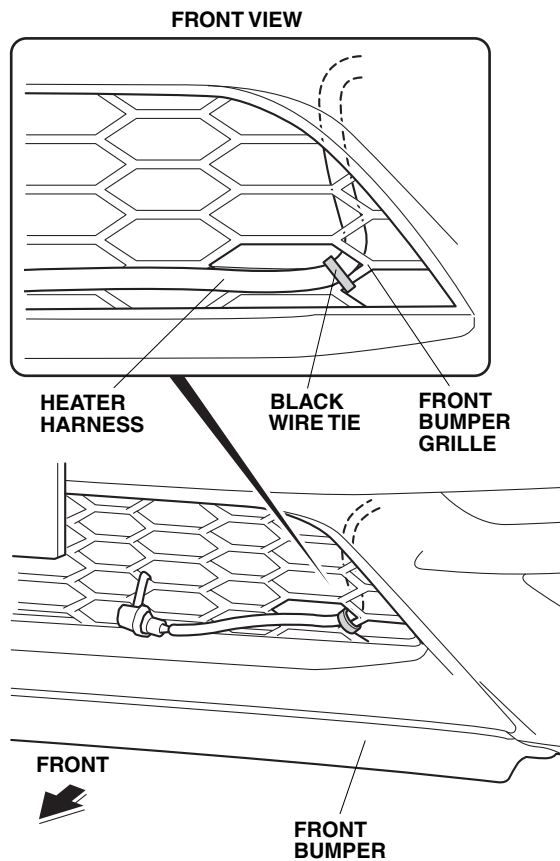
24. With the help of an assistant, bring the front bumper close to the vehicle. Route the heater harness through the front bumper grille as shown, then install the front bumper.



25. Install the protective cap to the front bumper grille, and plug the heater harness connector into the protective cap.



26. Secure the heater harness to the front bumper grille with one black wire tie.



QE12915CG

27. Install all removed parts.
28. Remove the radiator cap and fill the system with the recommended coolant. Follow the instructions in the Service Manual to fill the cooling system and check for leaks. Particularly check that there are no leaks around the engine block heater.
29. Install the radiator cap.
30. Check that the heater harness is routed properly and all connectors are plugged in.
31. Store the drain bolt (removed in step 12) in the glove box.
32. Connect the negative cable to the battery.
33. Press and hold the audio unit power button for two seconds to restore the audio and navi (if equipped) system functions.
34. Reset the clock (vehicles without navigation).