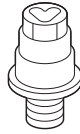


**PARTS LIST**
**Engine Block Heater Kit**

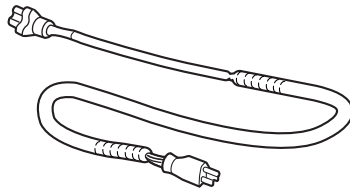
Engine block heater



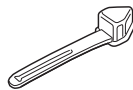
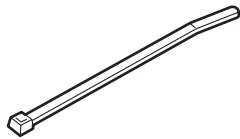
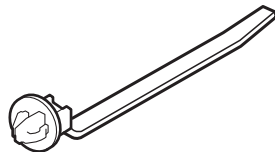
Aluminum washer



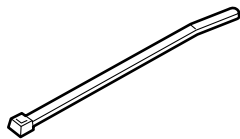
Heater harness



Protective cap


 12 Black wire ties  
(Some may not be used.)

 7 Wire ties with clip  
(Some may not be used.)


5 Wire ties (Natural)


**TOOLS AND SUPPLIES REQUIRED**

Ratchet

19 mm and 24 mm Sockets

10 mm Open end wrench

Torque wrench

Diagonal cutters

Heavy gloves

Drain pan

Tape measure

White marker

Coolant (Honda All Season Antifreeze/Coolant Type 2)

Fender cover

Phillips screwdriver

Tape

Blanket

Drill

3 mm and 5 mm Drill bits

File

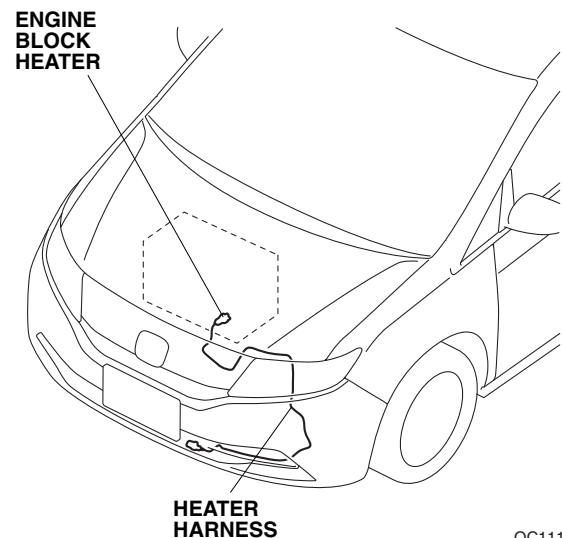
Eye protection

Scale

Pushpin

*The following tool is available through the Honda Tool and Equipment Program. On the iN, click on: Service > Service Bay > Tool and Equipment Program, then enter the number under "Search." Or, call 888-424-6857.*

- Trim Tool Set (T/N SOJATP2014)

**Illustration of the Engine Block Heater on the Vehicle**


QC11101AY

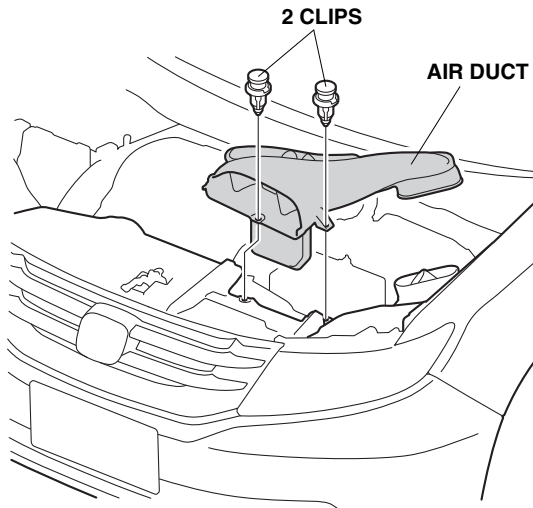
## INSTALLATION

### NOTE:

- Always use, Honda All Season Antifreeze/Coolant Type 2. Using a non-Honda coolant may result in corrosion, causing the cooling system to malfunction or fail.
- To avoid burning out the element, do not operate the engine block heater before it is installed on the vehicle and before you add the coolant.

**Customer Information:** The information in this installation instruction is intended for use only by skilled technicians who have the proper tools, equipment, and training to correctly and safely add equipment to your vehicle. These procedures should not be attempted by “do-it-yourselfers.”

1. Open the hood and remove the air duct (two clips).

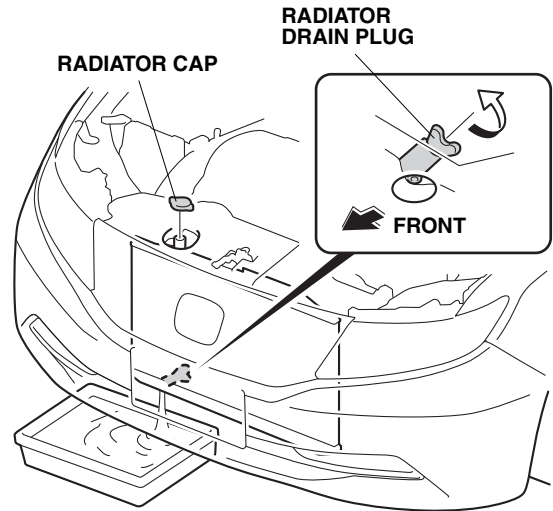


QC10807AY

2. Disconnect the negative cable from the battery.
3. Allow the engine and all cooling system components to cool down.

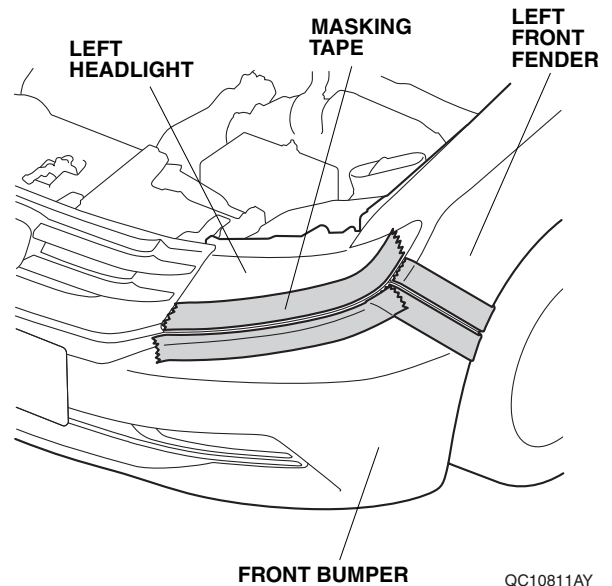
4. Place a clean drain pan under the radiator drain plug, then remove the drain plug from the bottom of the radiator to drain the coolant. Remove the radiator cap to increase the flow.

**NOTICE:** Radiator coolant will damage the body paint. Quickly rinse any spilled coolant from the body paint finish.



QC11102AY

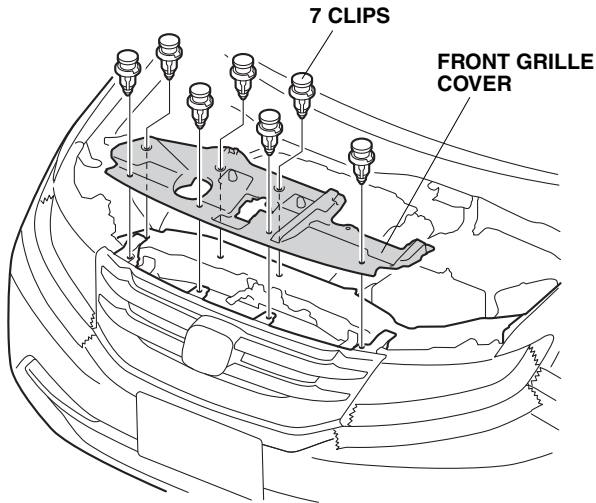
5. After the coolant drains, reinstall the radiator cap to prevent dirt and contamination from entering the radiator.
6. Attach the masking tape to the vehicle for protection.



QC10811AY

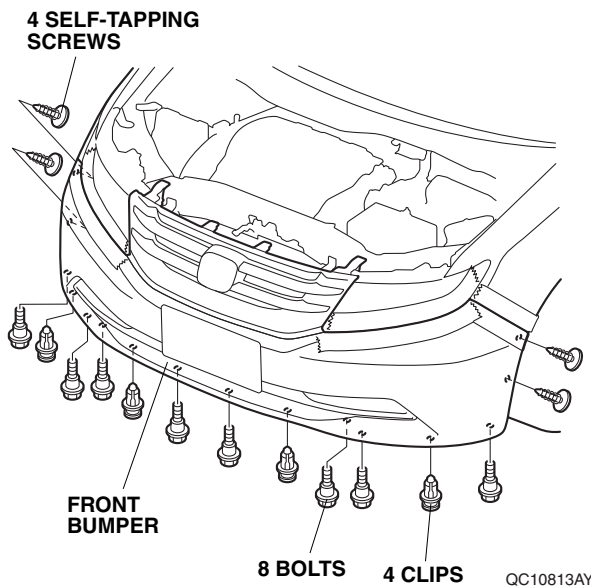
7. Repeat the same procedure on the right side of the vehicle.

8. Remove the front grille cover (seven clips).



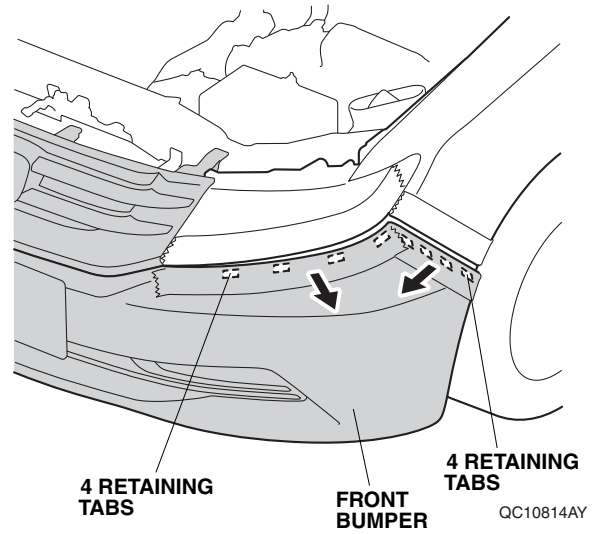
QC10812AY

9. Remove the front bumper.
  - Remove four self-tapping screws, eight bolts and four clips from the front bumper.



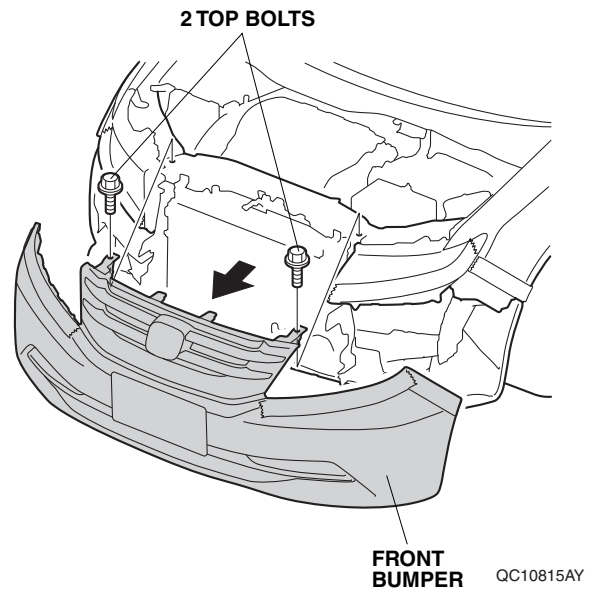
QC10813AY

- On each side, release eight retaining tabs from the front bumper.



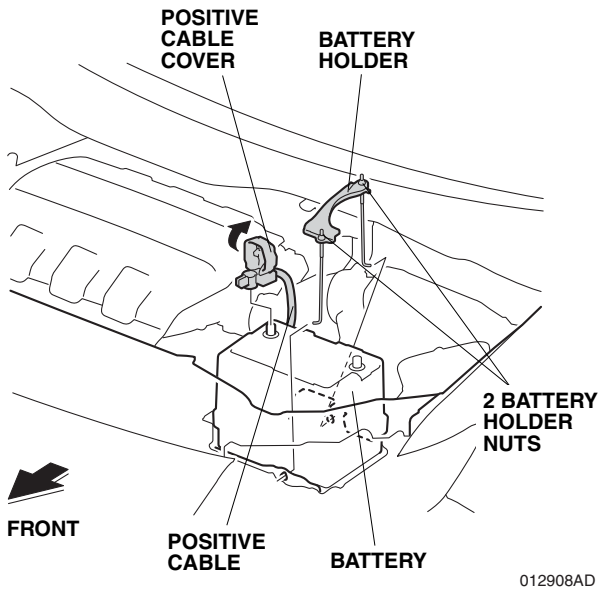
QC10814AY

- Remove two top bolts from the front bumper. With the help of an assistant, remove the front bumper.
- Place the front bumper on a blanket.



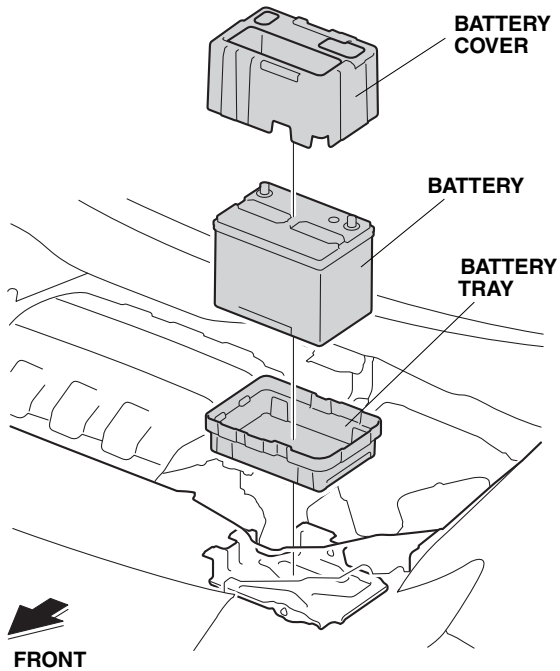
QC10815AY

- Open the positive cable cover, and disconnect the positive (+) battery cable from the battery. Unfasten two battery holder nuts, and remove the battery holder.



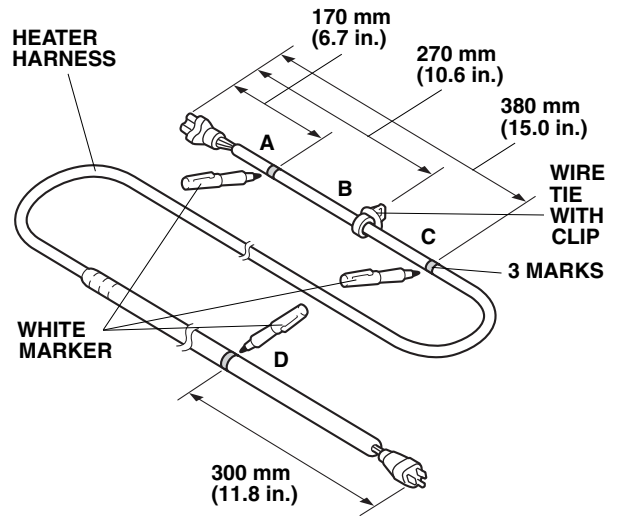
012908AD

- Remove the battery cover, battery, and battery tray.



020101AD

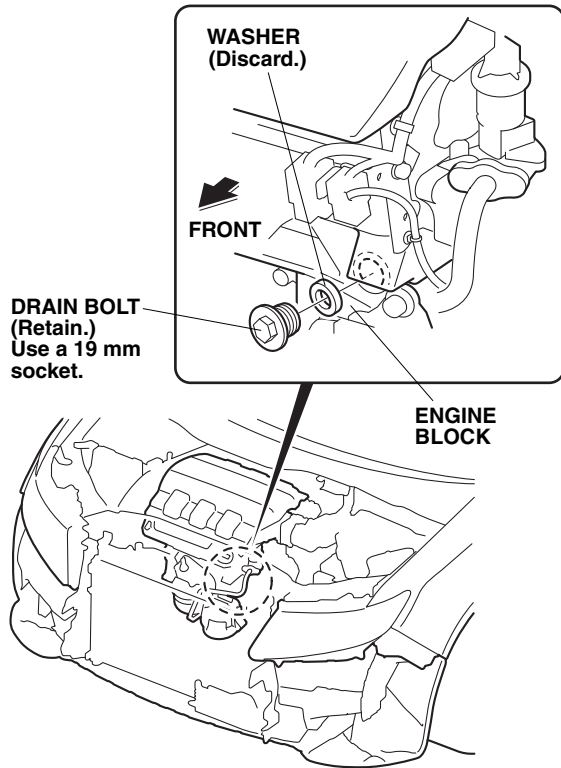
- Get the heater harness. Using a tape measure, install one wire tie with clip to the heater harness as shown.



020104BD

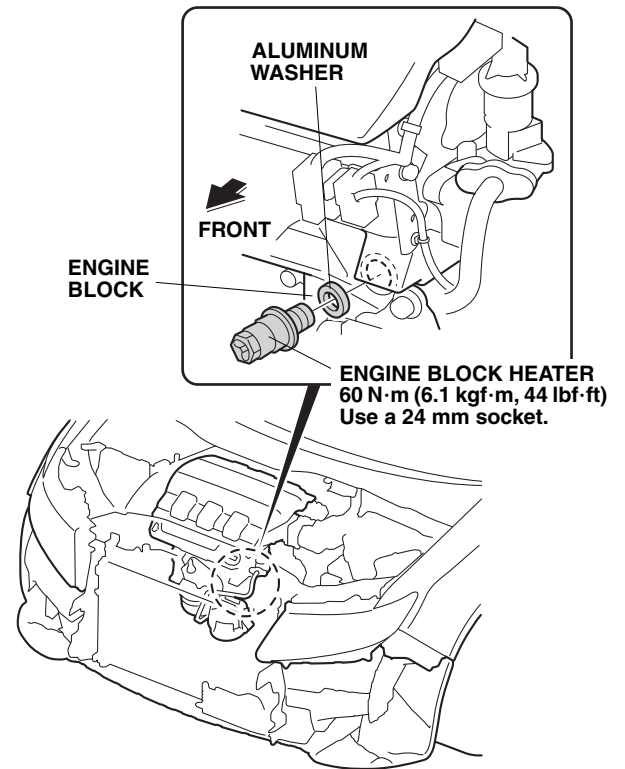
- Using a white marker and a tape measure, mark the heater harness at three positions as shown.

14. Locate and remove one drain bolt and one washer from the front of the engine block using a 19 mm socket. Coolant remaining in the engine jackets will flow out of the bolt hole when the bolt is removed. (Retain the bolt, it will be used if engine block heater is removed.)



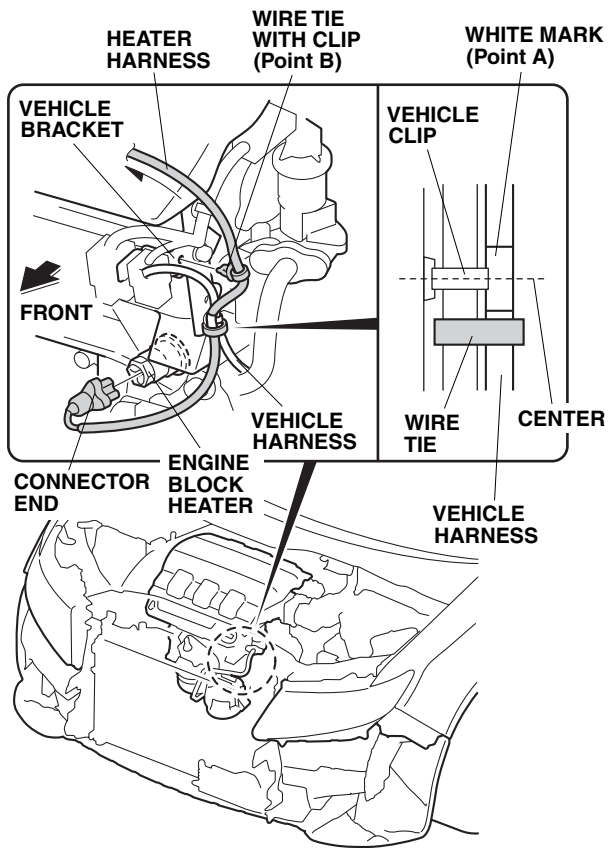
020105BD

15. Install the engine block heater with the aluminum washer into the bolt hole using a 24 mm socket. Torque the engine block heater to 60 N·m (6.1 kgf·m, 44 lbf·ft).



020106AD

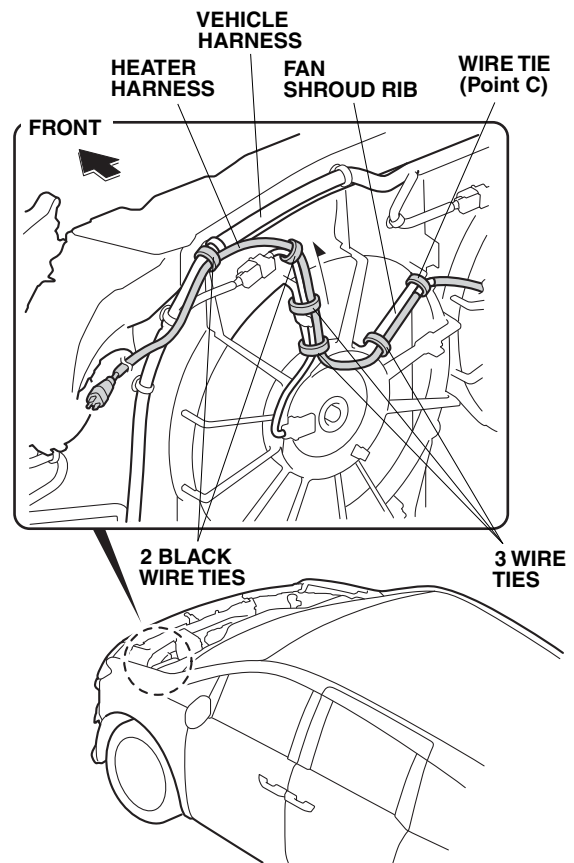
16. Plug the connector end of the heater harness into the engine block heater.



020107AD

17. Route the heater harness in the direction shown, and secure it to the vehicle harness with one wire tie (point A). Secure one wire tie with clip (point B) to the vehicle bracket.

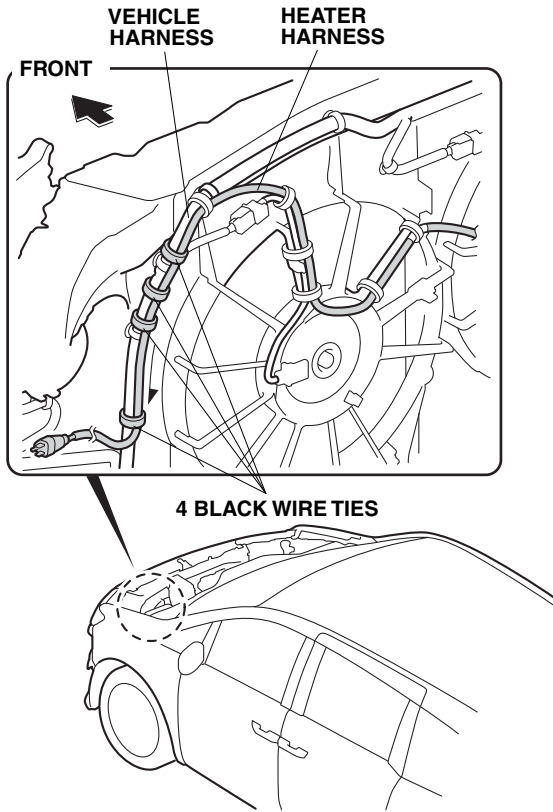
18. Route the heater harness as shown, and secure it to the fan shroud rib with one wire tie (point C).



020201AD

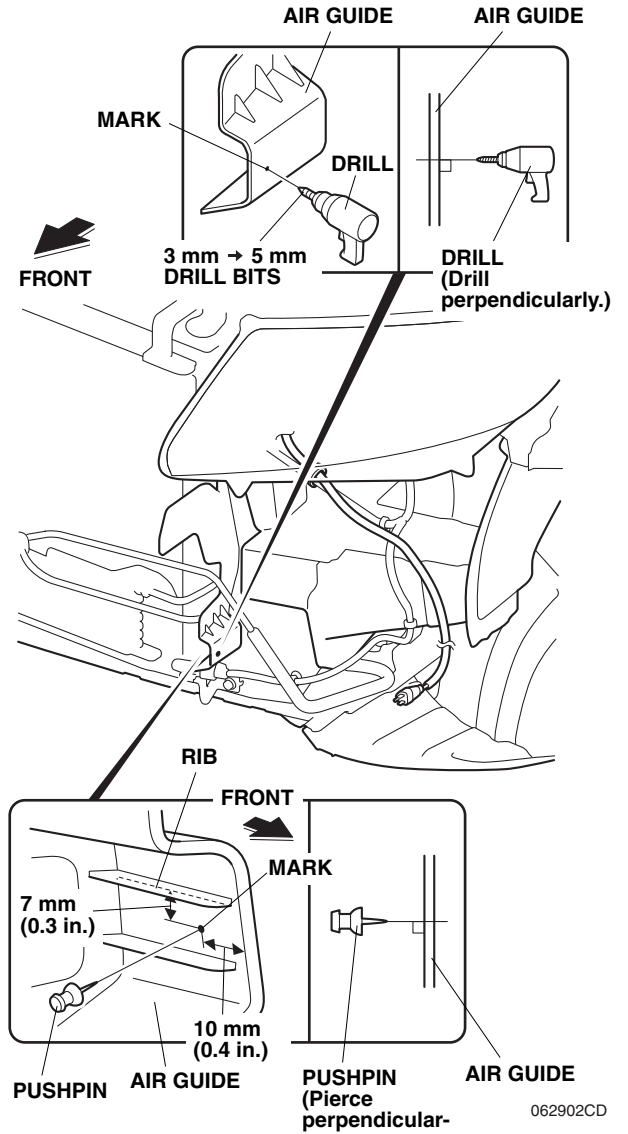
19. Route the heater harness along the vehicle harness as shown, and secure it to the fan shroud rib with three wire ties. Secure the heater harness to the vehicle harness with two black wire ties.

20. Continue routing the heater harness along the vehicle harness, and secure it to the vehicle harness with four black wire ties.



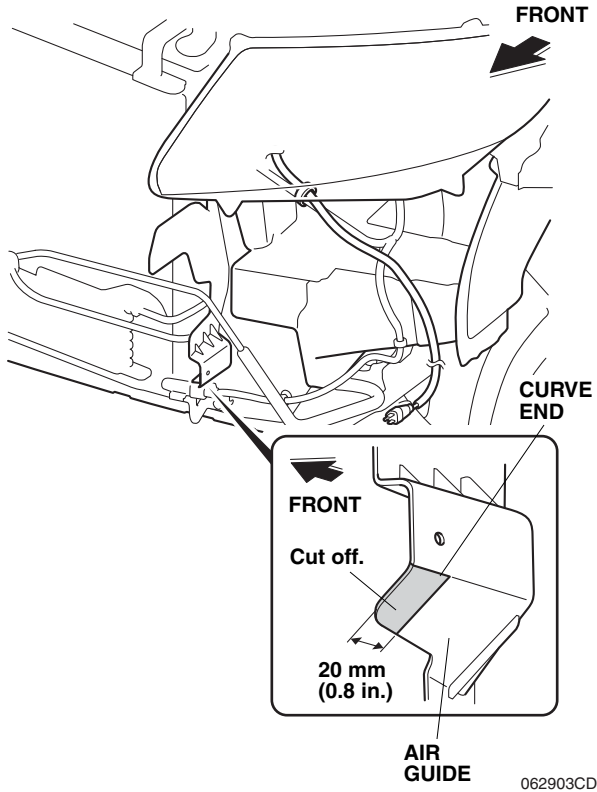
020202AD

21. Using a pushpin, pierce the air guide as shown.



22. While wearing an eye protection, drill the pierced point with a 3 mm drill bit and widen the hole with a 5 mm drill. Remove any burrs.

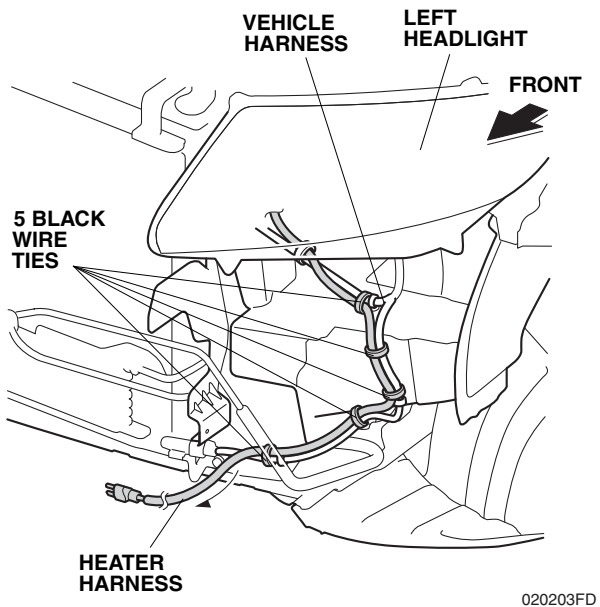
23. Using a diagonal cutter, cut the air guide as shown.



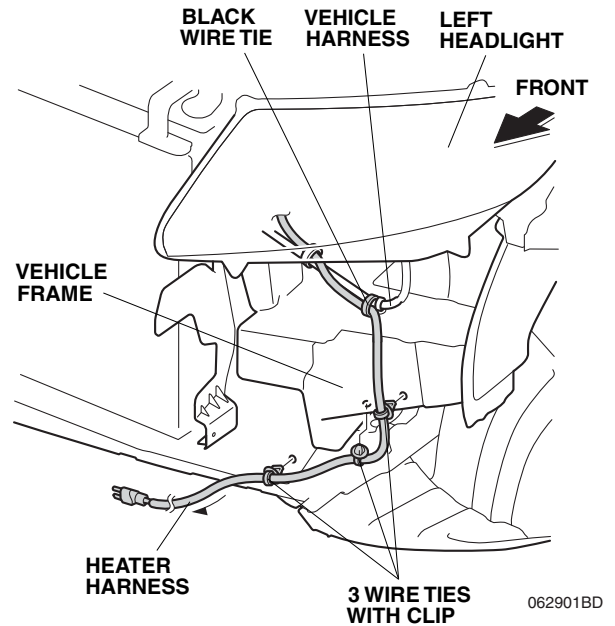
If the vehicle is equipped with the automatic air conditioner, go to step 24; if not, go to step 25.

With automatic air conditioner

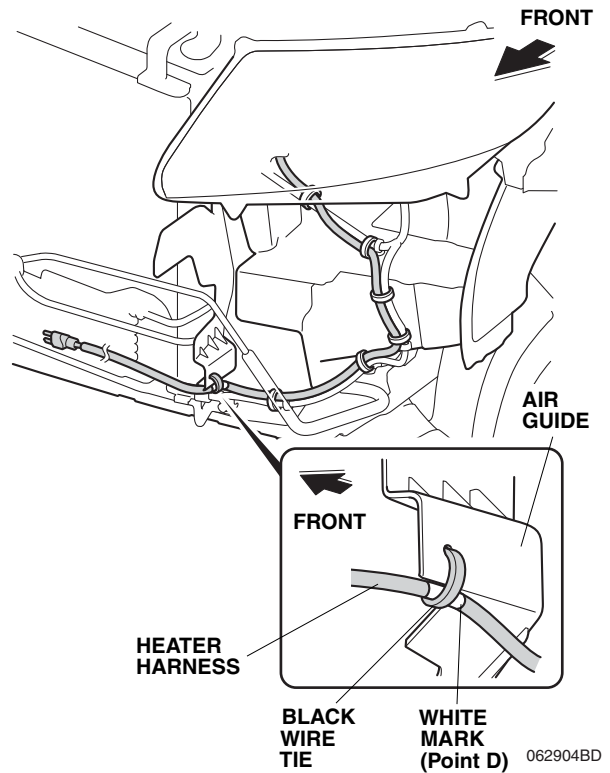
24. Route the heater harness down under the left headlight and forward. Secure the heater harness to the vehicle harness with five black wire ties. Go to step 27.



25. Route the heater harness down under the left headlight and forward. Secure the heater harness to the vehicle harness with one black wire tie.

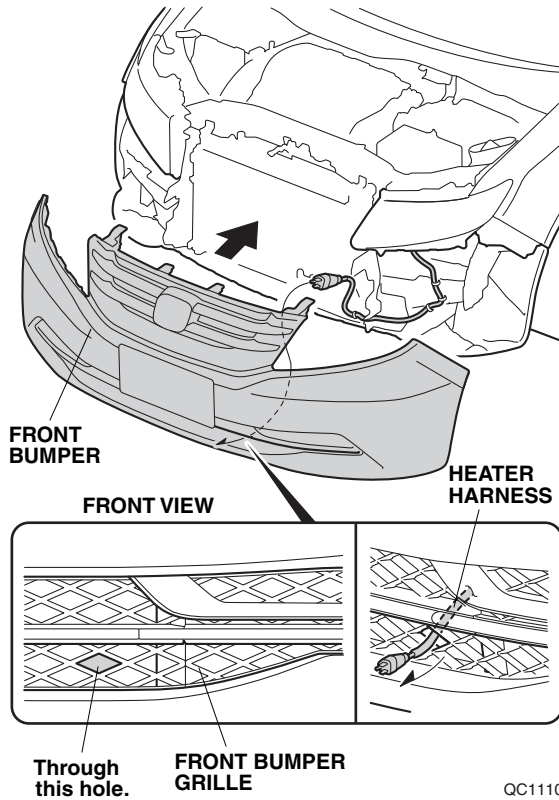


26. Secure the heater harness to the vehicle frame with three wire ties with clip.
27. Install the heater harness to the hole made in step 22 with one black wire tie (point D).

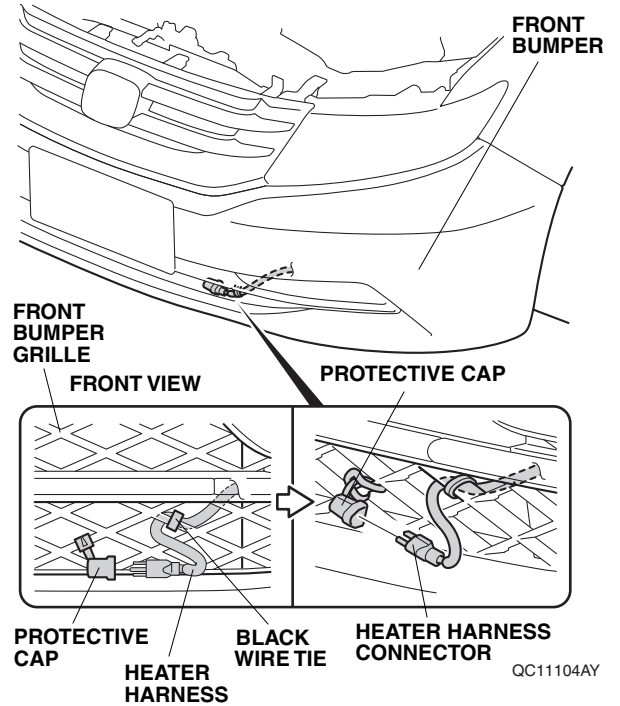




28. With the help of an assistant, route the heater harness through the front bumper in the area shown, and reinstall the front bumper.



29. Attach the protective cap to the front bumper grille.



30. Secure the heater harness to the front bumper grille with one black wire tie, and plug the heater harness connector into the protective cap.
31. Reinstall all removed parts.
32. Remove the radiator cap and fill the system with the recommended coolant. Follow the instructions in the service manual to fill the cooling system and check for leaks. Particularly check that there is no leak around the engine block heater.
33. Reinstall the radiator cap.
34. Check that the heater harness is routed properly and all connectors are plugged in.
35. Store the drain bolt (removed in step 14) in the glove box.
36. Reconnect the negative cable to the battery.
37. Reset the clock on vehicle without navigation.