



# INSTALLATION INSTRUCTIONS

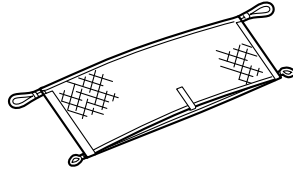
Accessory  
**CARGO NET**  
P/N 08L96-T2A-100

Application  
**2015 ACCORD**  
4-DOOR

Publications No.  
**VERSION 1**  
Issue Date  
**AUG 2014**

## PARTS LIST

Cargo net



2 Anchors A (Small)



2 Anchors B (Large)



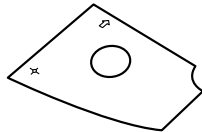
4 Bolts



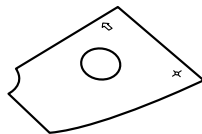
4 Rivet nuts



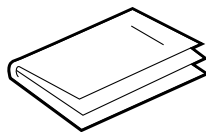
Right template



Left template



Accessory User's Information Manual



## TOOLS AND SUPPLIES REQUIRED

19 mm Open end wrench

Pushpin

Drill

3 mm and 9 mm Drill bits

15 mm Hole saw

Eye protection (face shield, safety goggles, etc.)

File

Touch-up paint

Hex wrench

Ruler

Utility knife

Tape

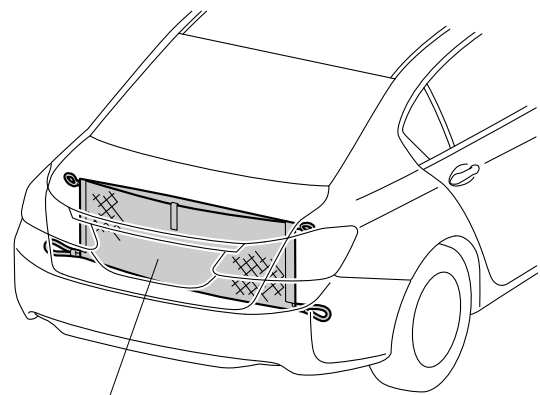
Masking tape

• Rivet Nut Tool, 6 mm (P/N 07AAE-000A100)

*The following tool is available through the Honda Tool and Equipment Program. On the iN, click on: Service > Service Bay > Tool and Equipment Program, then enter the number under "Search." Or, call 888-424-6857.*

• Plastic Trim Tool (T/N SILTRIMTL10)

### Illustration of the Cargo Net in the Vehicle



CARGO NET

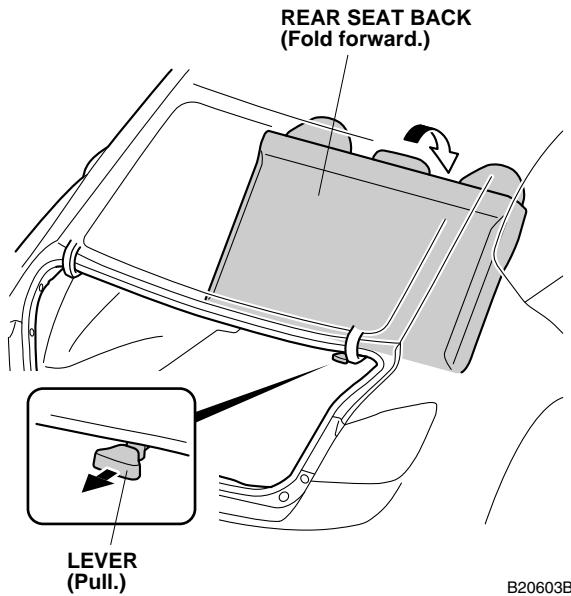
B20712A

## INSTALLATION

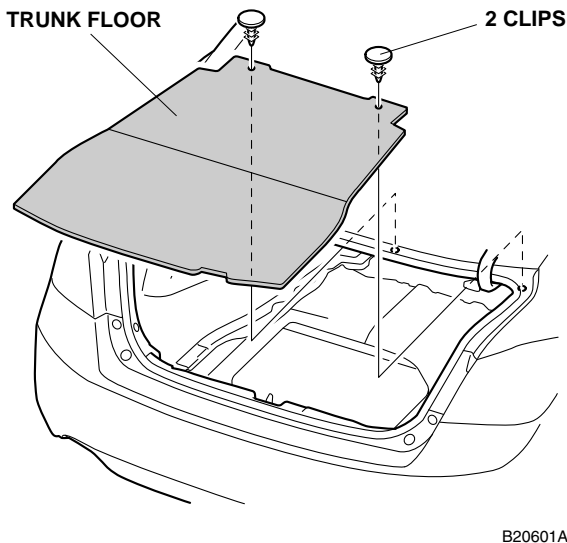
**Customer Information:** The information in this installation instruction is intended for use only by skilled technicians who have the proper tools, equipment, and training to correctly and safely add equipment to your vehicle. These procedures should not be attempted by “do-it-yourselfers.”

NOTE: Be careful not to damage the body.

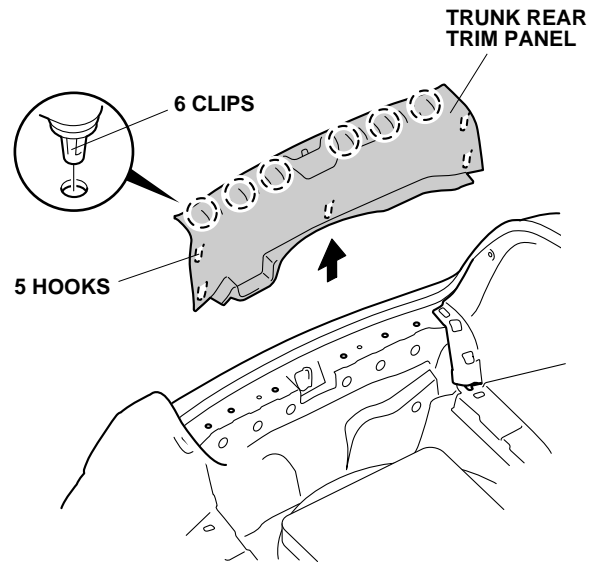
1. Open the trunk. Pull the lever, and fold the rear seat back forward.



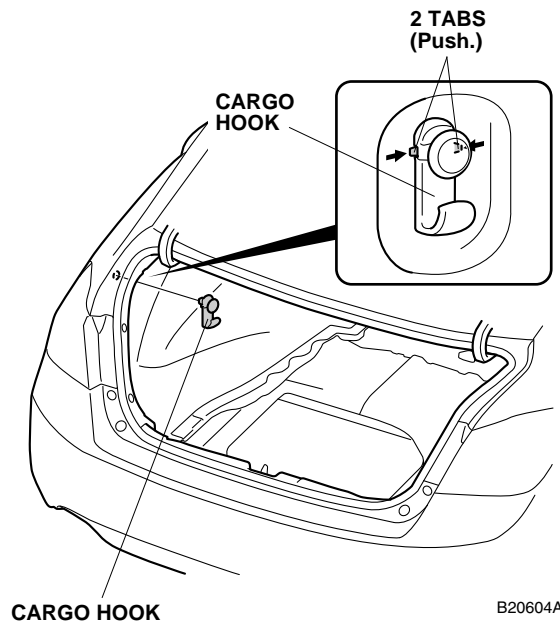
2. Remove the trunk floor (two clips).



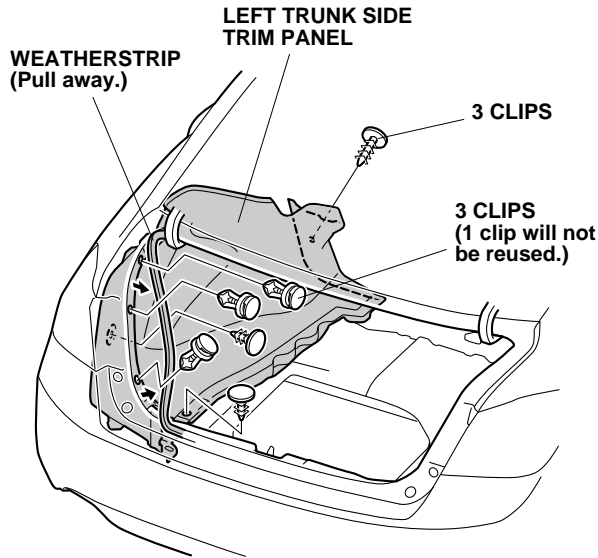
3. Remove the trunk rear trim panel (six clips and five hooks).



4. Push on the tabs, and remove the cargo hook.

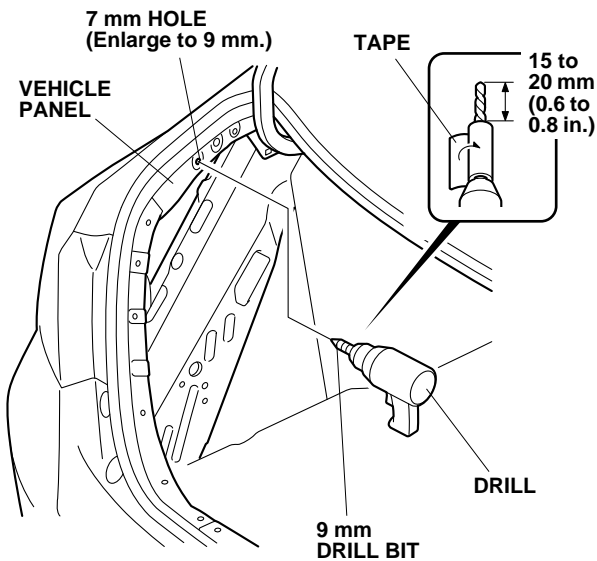


- Pull away the weatherstrip. Remove the left trunk side trim panel (six clips). Remove the right trunk side trim panel the same way.



QB20605CX

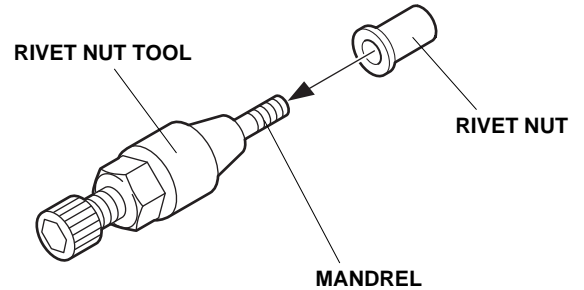
- Wearing eye protection, use a 9 mm drill bit to enlarge one clip hole to 9 mm.
  - Wrap tape around the drill bit at 15 to 20 mm from the tip of the bit.
  - Remove any burrs from the edge of the hole using a round file. Apply touch-up paint to the drilled surface and allow the paint to dry thoroughly.



QB70201AX

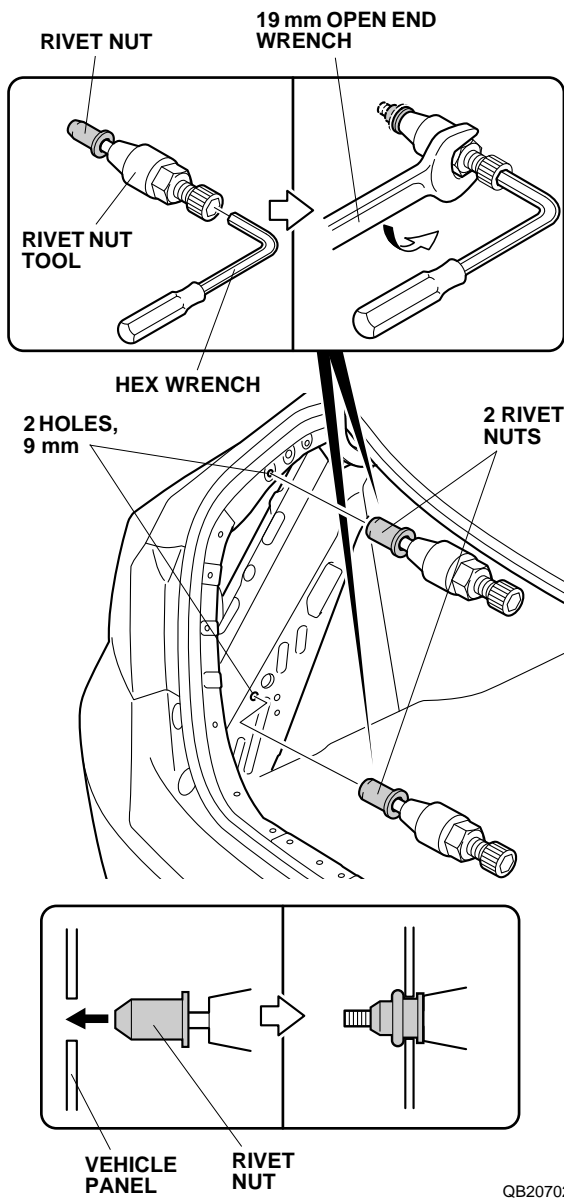
- Repeat step 6 on the right side of the vehicle.

- Thread the rivet nut onto the mandrel of the rivet nut tool as shown.



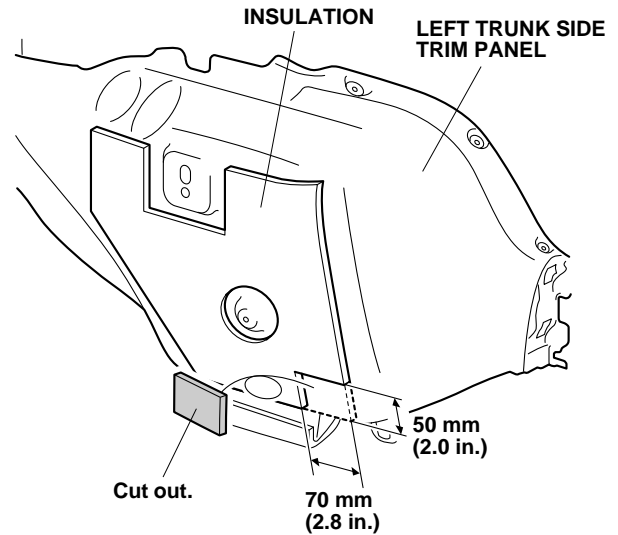
771013AE

- Insert the rivet nut into the hole in the left trunk side panel and install the hex wrench on the rivet nut tool.

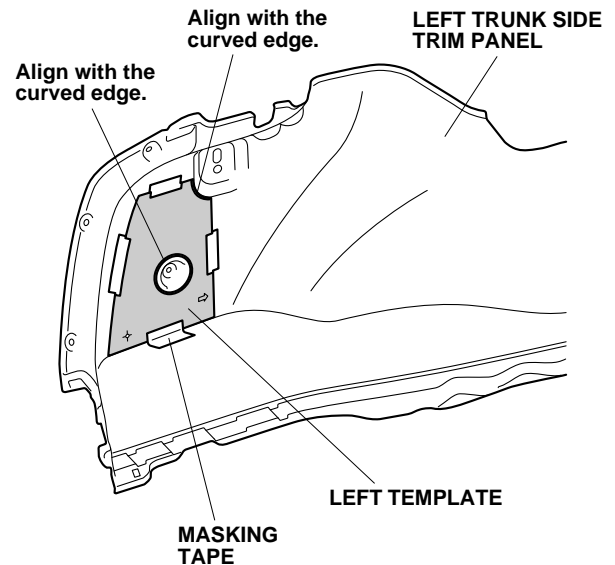


- While holding the rivet nut tool with the hex wrench, turn the 19 mm wrench counterclockwise and install the rivet nut to the left trunk side panel.
- Remove the tool from the rivet nut by turning the hex wrench counterclockwise.
- Repeat steps 8 through 11 to install a second rivet nut on the left side, and two rivet nuts on the right side.

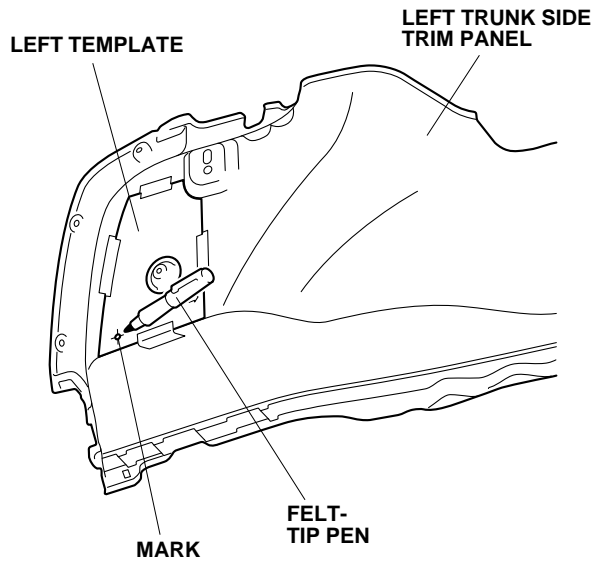
- Using a utility knife, cut out the insulation from the left trunk side trim panel using the measurements shown.



- Attach the left template to the left trunk side trim panel with masking tape in the location shown.

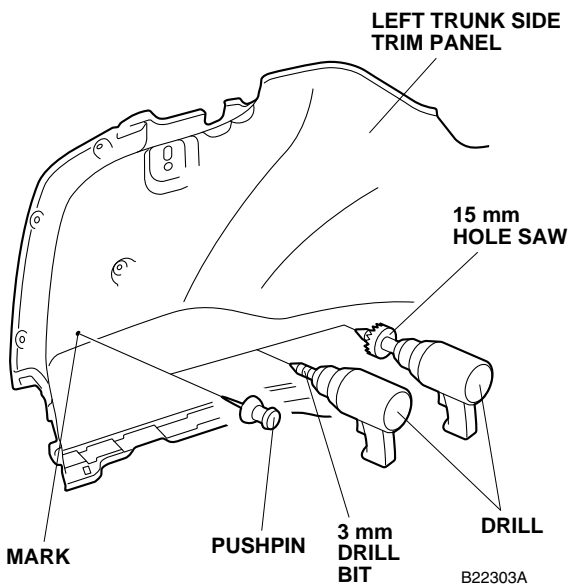


- Using a felt-tip pen, mark the left trunk side trim panel through the hole in the left template. Remove the left template.



B20706B

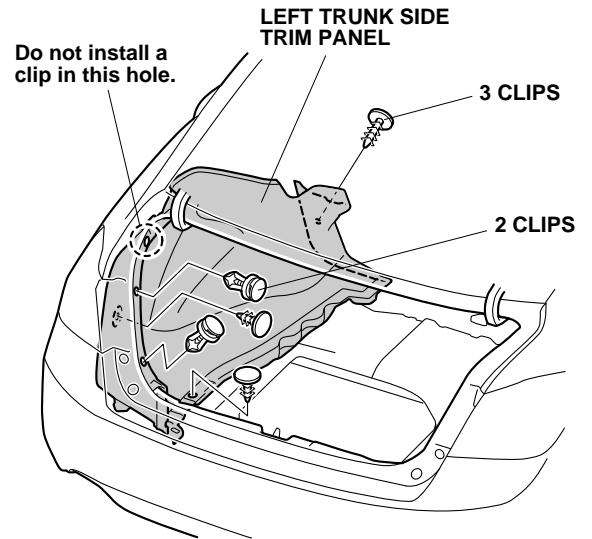
- Using a pushpin, pierce the left trunk side trim panel at the mark you made in step 15.



B22303A

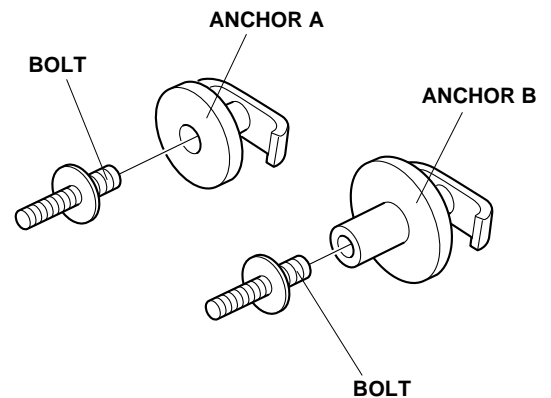
- While wearing eye protection, drill the pierced mark in the left trunk side trim panel to 15 mm. First drill with a 3 mm drill bit, and finish with a 15 mm hole saw. Remove any burrs.

- Reinstall the left trunk side trim panel.



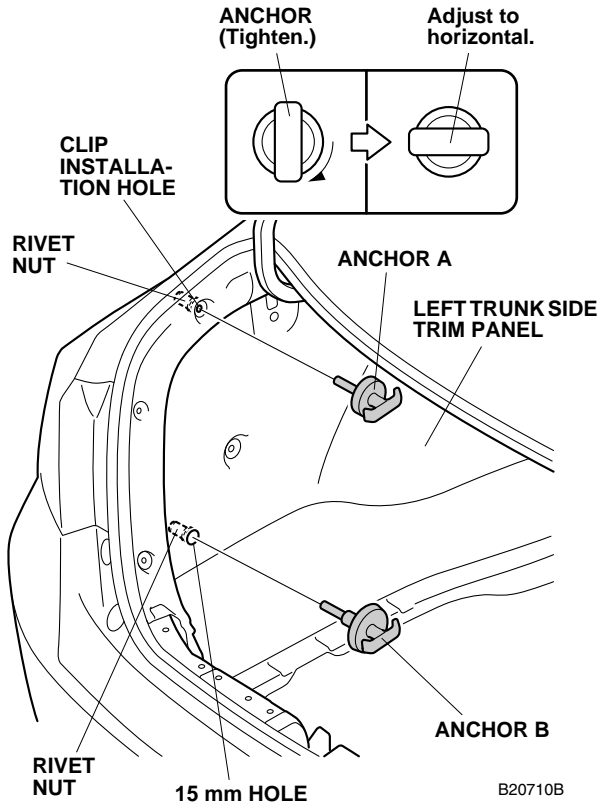
B20708B

- Thread a bolt into each anchor.



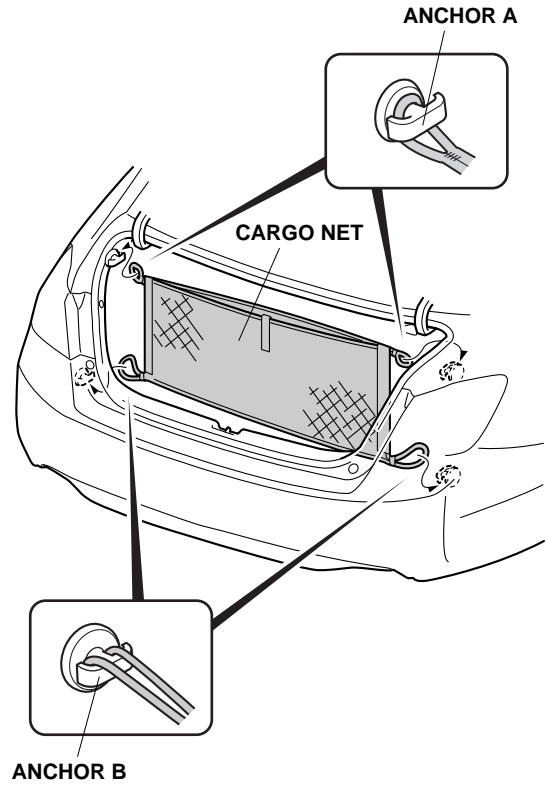
B20709B

- Thread one anchor A into the upper rivet nut and one anchor B into the lower rivet nut. Adjust each anchor to the horizontal position.



- Using the right template, repeat steps 13 through 20 to install anchors on the right side of the vehicle.
- Reinstall the all removed parts.

- Install the cargo net to the anchors in the trunk.



B20711A