



# INSTALLATION INSTRUCTIONS

Accessory  
**REMOTE CONTROL ENGINE STARTER**

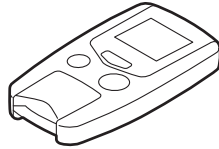
Application  
**2014 PILOT**

Publications No.  
**All 50260**  
Issue Date  
**AUG 2013**

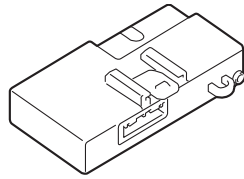
## PARTS LIST

### Remote Control Engine Starter Unit Kit P/N 08E91-E22-101A

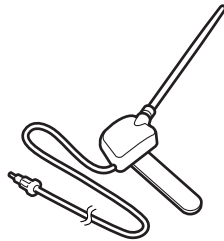
Transmitter



Control unit



Antenna



Key ring



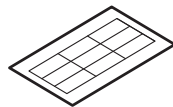
Protective tape



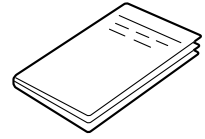
Caution label



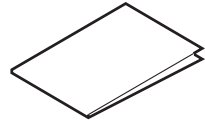
Fuse label



Accessory User's Information Manual

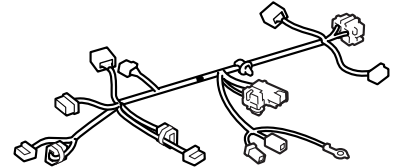


Quick start guide

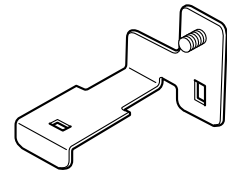


### Remote Control Engine Starter Attachment Kit P/N 08E92-SZA-100

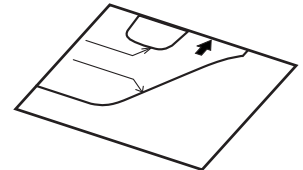
Engine starter harness



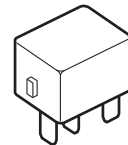
Control unit bracket



Template



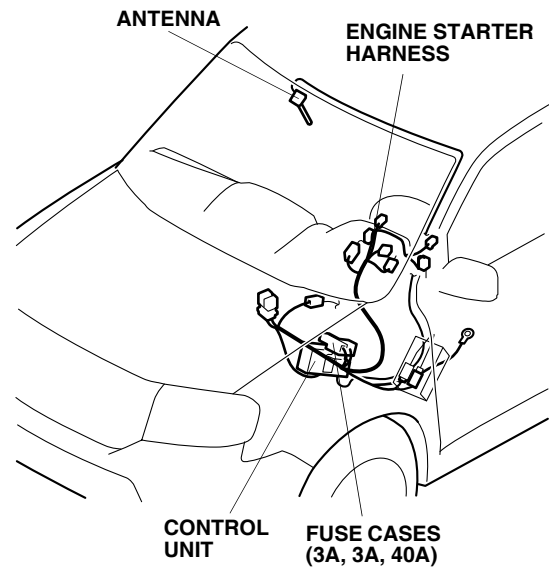
2 Relays



Flange nut



## Illustration of the Engine Starter in the Vehicle



## INSTALLATION

**Customer Information:** The information in this installation instruction is intended for use only by skilled technicians who have the proper tools, equipment, and training to correctly and safely add equipment to your vehicle. These procedures should not be attempted by “do-it-yourselfers.”

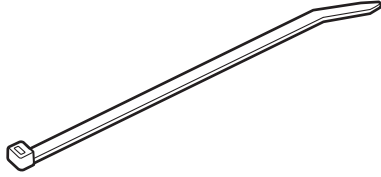
**NOTE:** This antenna should be installed only if the ambient air temperature is 15°C (60°F) or above.

1. Make sure you have the anti-theft code for the audio unit, then write down the radio station presets.
2. Disconnect the negative cable from the battery.

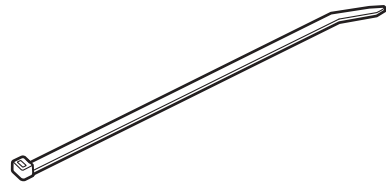
Ground bolt



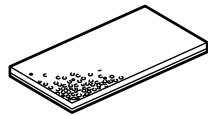
16 Wire ties



Long wire tie



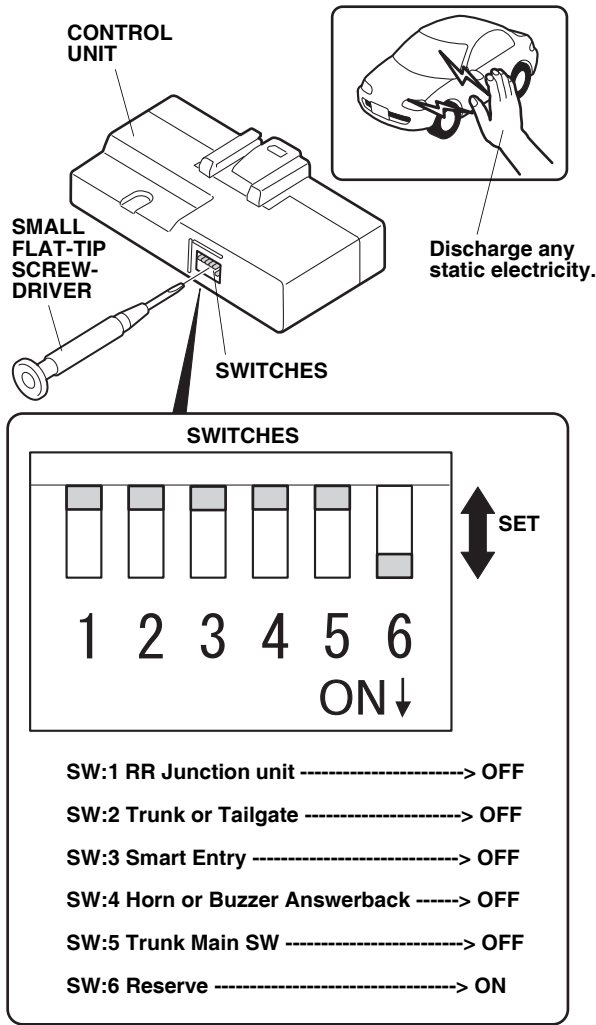
5 Urethane tapes



## TOOLS AND SUPPLIES REQUIRED

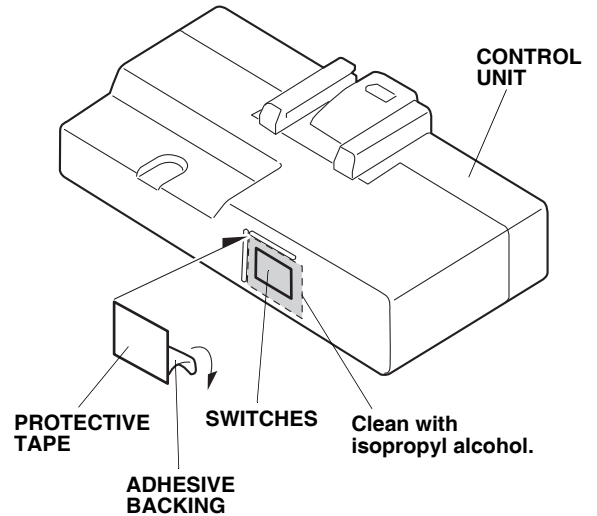
Flat-tip screwdriver  
Phillips screwdriver  
Small flat-tip screwdriver  
Ratchet  
8 mm and 10 mm Sockets  
Combination wrench  
Isopropyl alcohol  
Shop towel  
Tape measure  
Scissors  
Small rubber mallet  
Honda Diagnostic System (HDS)  
Masking tape  
Needle nose pliers  
Plastic trim tool  
T/N SILTRIMTL 10

3. Touch the metal part of the screwdriver to any metal part of the vehicle to discharge any static electricity.

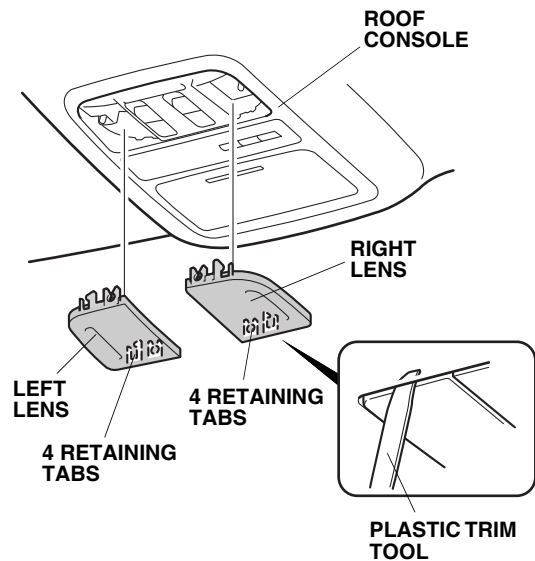


4. Check the settings of the switches on the control unit.  
NOTE:
  - The switches must be set before the control unit is plugged in.
  - If a switch setting is not correct, the remote engine starter will not operate properly.
  - If you change the switch settings with the unit connected, you must disconnect the unit, then reconnect it before the new settings are recognized.
5. Using a small flat-tip screwdriver, set the switches on the control unit as shown.

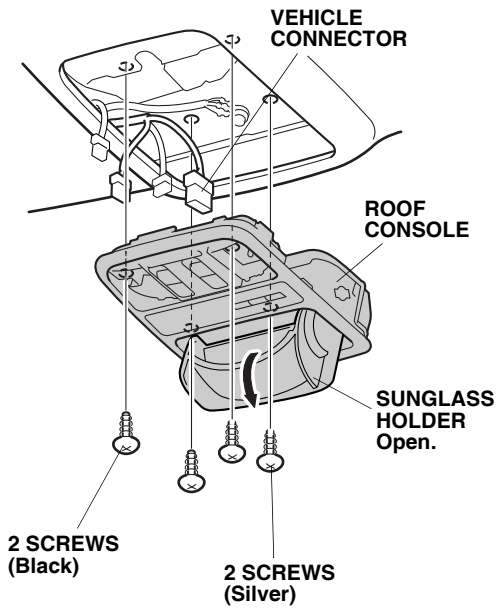
6. Using isopropyl alcohol on a shop towel, clean the area where the protective tape will attach. Remove the adhesive backing from the protective tape, and attach the protective tape to the control unit over the switches.



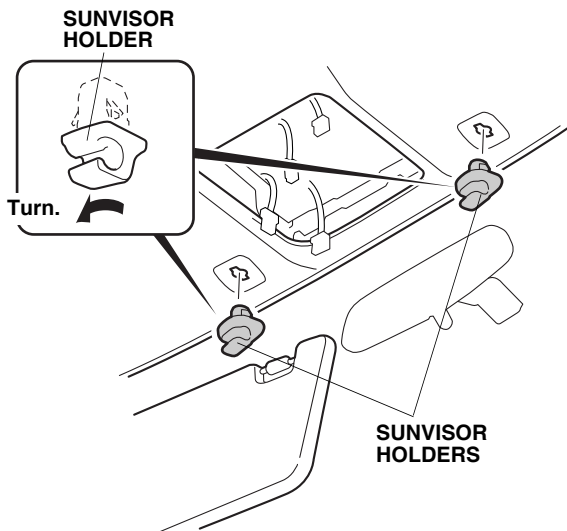
7. Using a plastic trim tool, disengage the eight retaining tabs and remove the left and right lenses from the roof console.



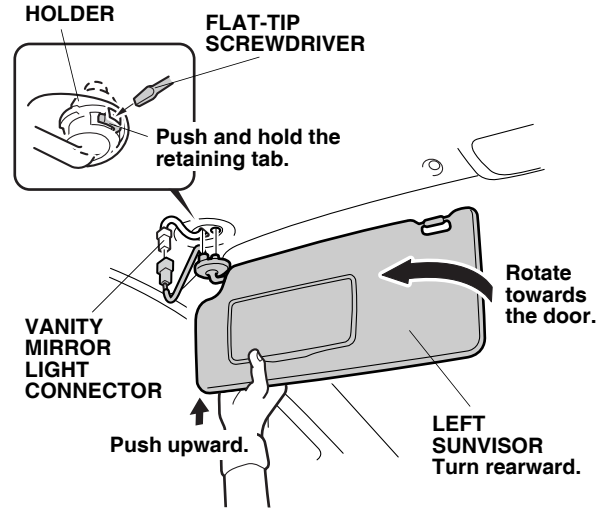
- Open the sunglass holder.



- Remove the roof console (two black screws, two silver screws, and unplug the vehicle connectors).
- Rotate the two sunvisor holders 45°, then remove them.

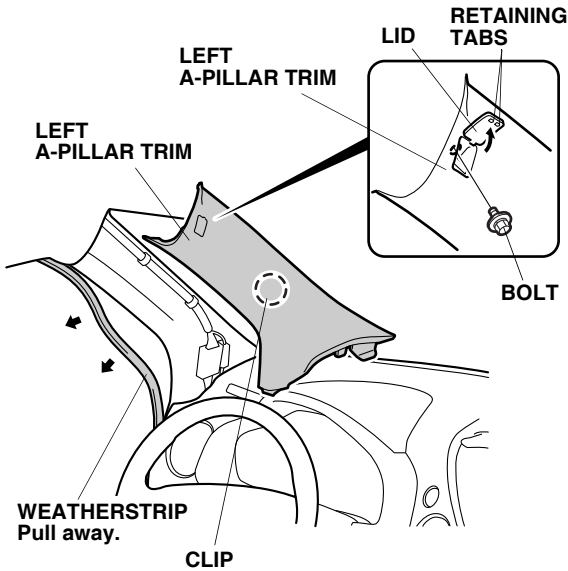


- Pivot down the left sunvisor.

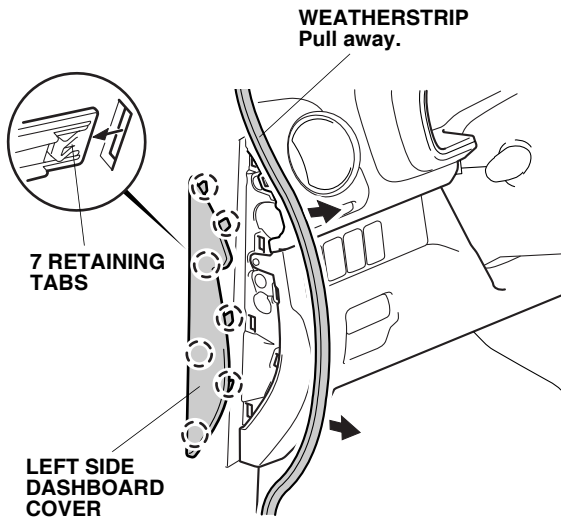


- Locate the slot in the sunvisor holder, and insert a flat-tip screwdriver into the slot. Push in and hold the retaining tab.
- While holding the retaining tab, push up on the left sunvisor and rotate it towards the door to remove the sunvisor. Unplug the vanity mirror light connector. If the retaining tab did not stay pushed in, return the left sunvisor to its original position and repeat steps 11 through 13.

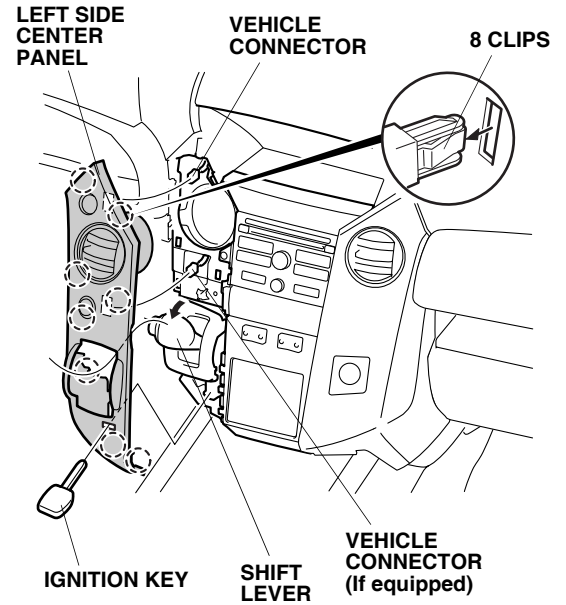
- Using a plastic trim tool, open the lid in the left A-pillar trim (two retaining tabs).



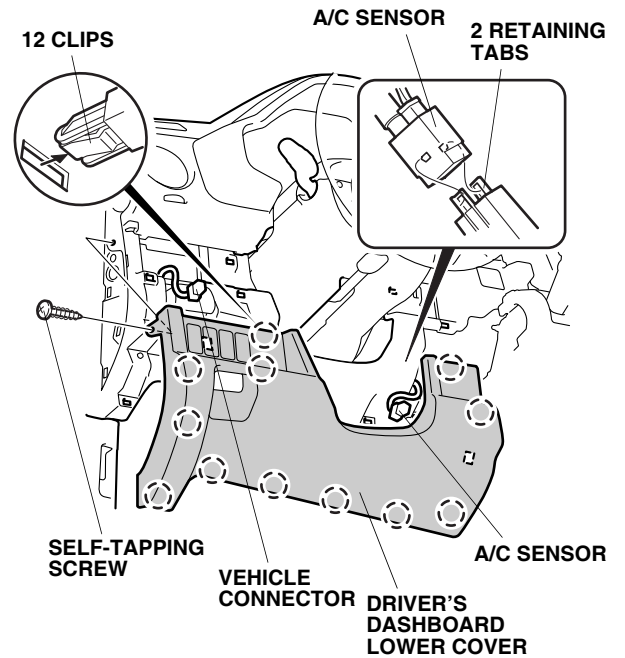
- Remove the bolt from the left A-pillar trim.
- Pull away the weatherstrip and remove the left A-pillar trim (one clip).
- Pull off the weatherstrip, then remove the left side dashboard cover (seven retaining tabs).



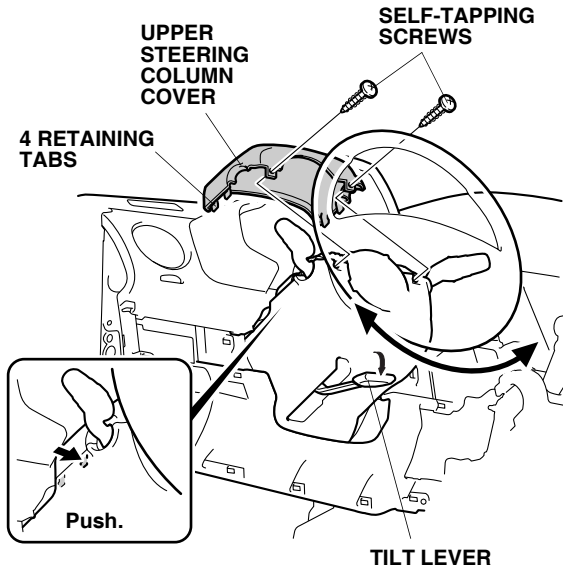
- Move the shift lever to D by pressing down on the shift lock release with the ignition key. Remove the left side center panel (eight clips and unplug the vehicle connectors).



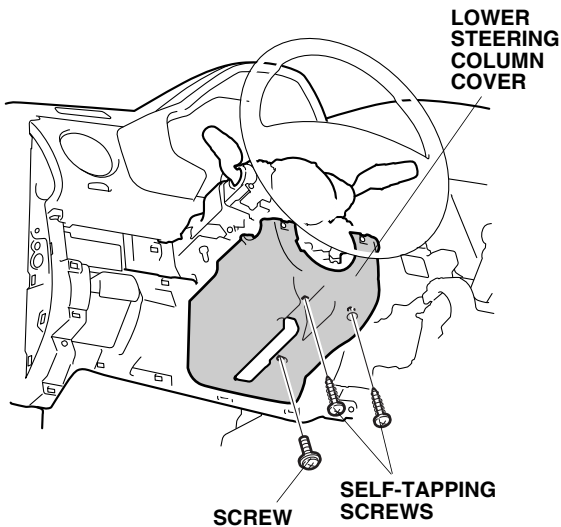
- Remove the driver's dashboard lower cover (12 clips, one self-tapping screw, and unplug the vehicle connectors). Remove the A/C sensor (two retaining tabs).



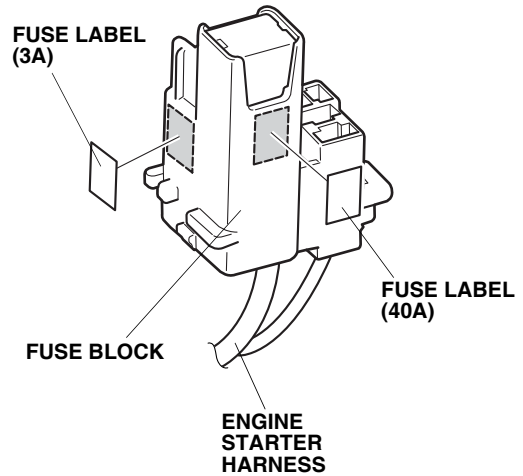
20. Lower the tilt lever and pull the steering wheel out.



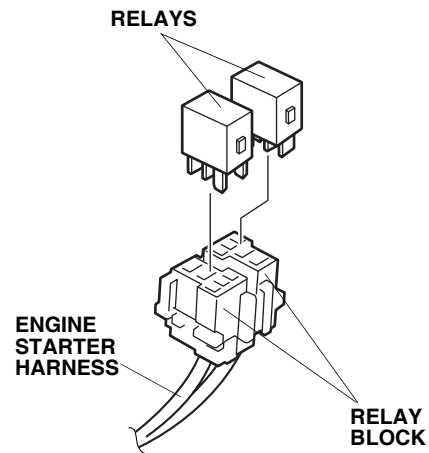
21. Remove the upper steering column cover:
- Remove the two self-tapping screws.
  - Push the upper cover inward at the areas shown to release the four retaining tabs.
22. Remove the lower steering column cover (two self-tapping screws and one screw).



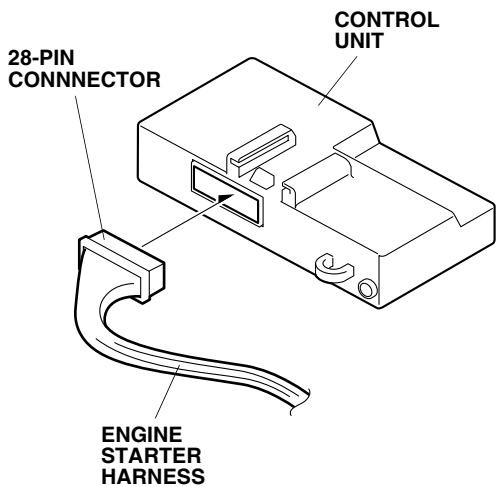
23. Attach the 40A fuse label to the engine starter harness fuse block at the position shown.



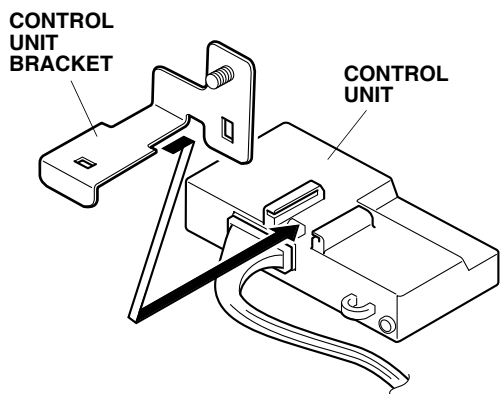
24. Attach the 3A fuse label to the engine starter harness fuse block at the position shown.
25. Install the two relays to the engine starter harness relay blocks.



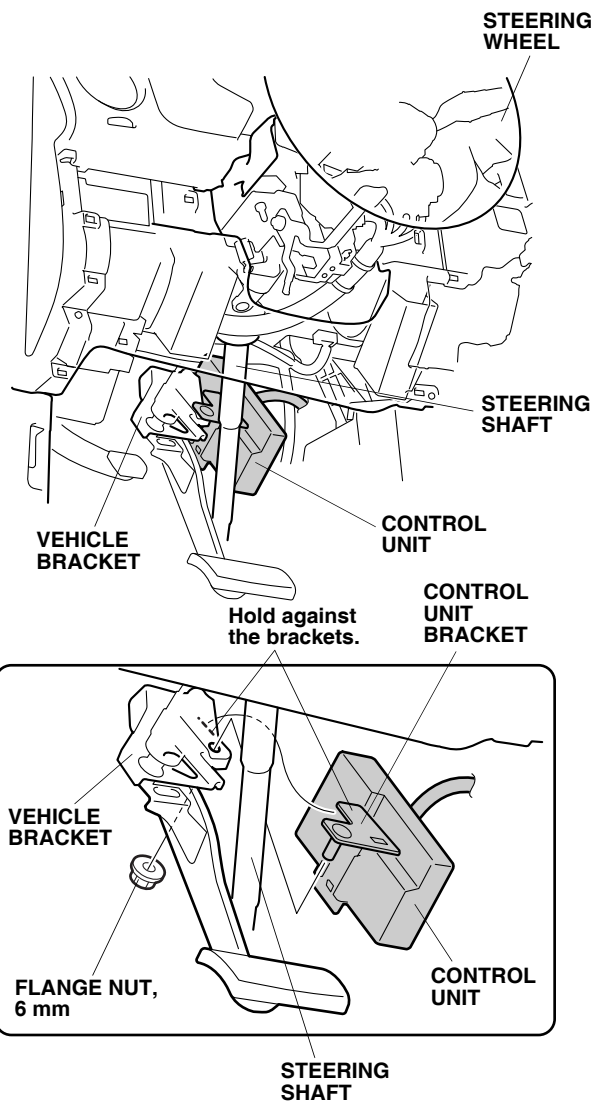
26. Plug the engine starter harness 28-pin connector into the control unit.



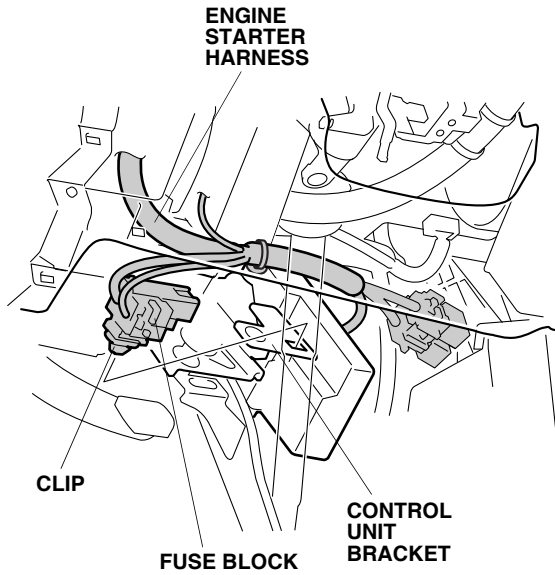
27. Install the control unit bracket to the control unit.



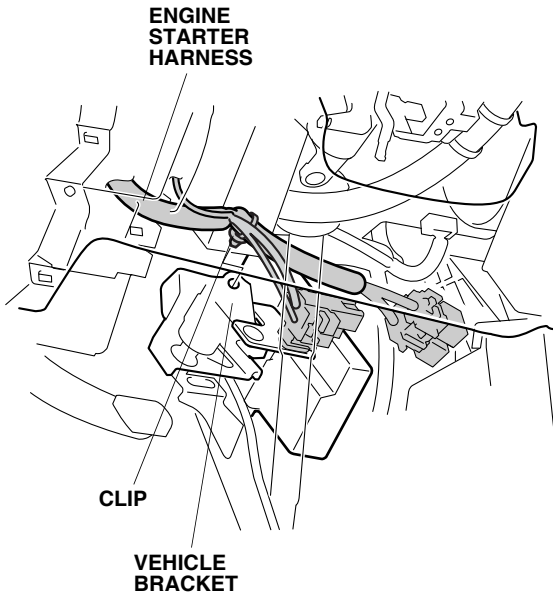
28. Secure the control unit to the vehicle bracket with a 6 mm flange nut.



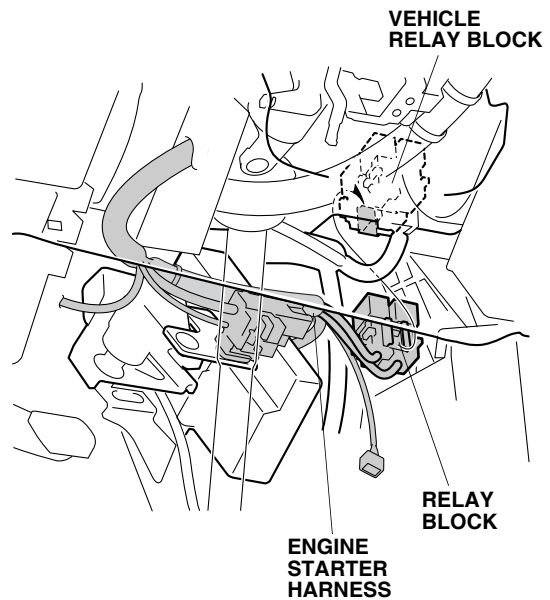
29. Install the engine starter harness fuse block clip on the control unit bracket.



30. Install the engine starter harness clip on the vehicle bracket.

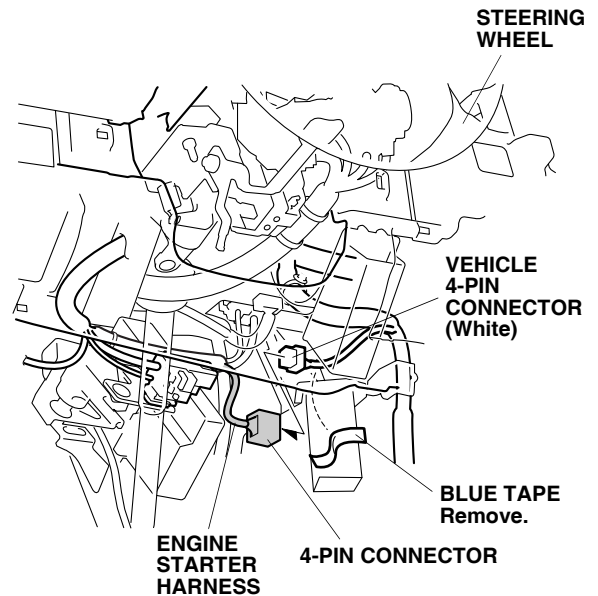


31. Route the engine starter harness relay block toward the right side of the vehicle.



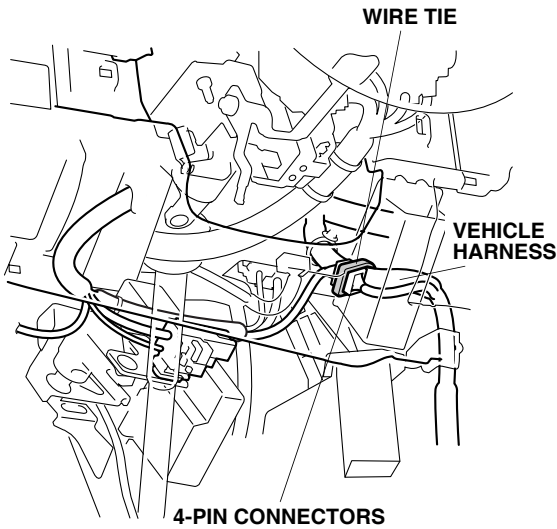
32. Install the engine starter harness relay block on the vehicle relay block.

33. Remove the blue tape from the vehicle 4-pin connector. Plug the engine starter harness 4-pin connector to the vehicle 4-pin connector.

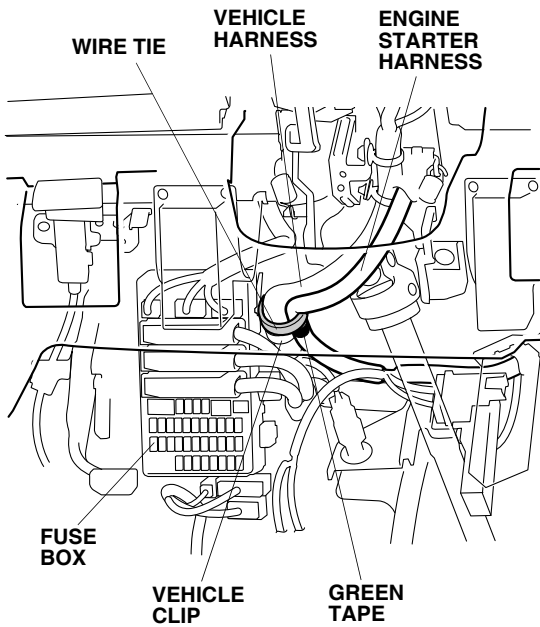




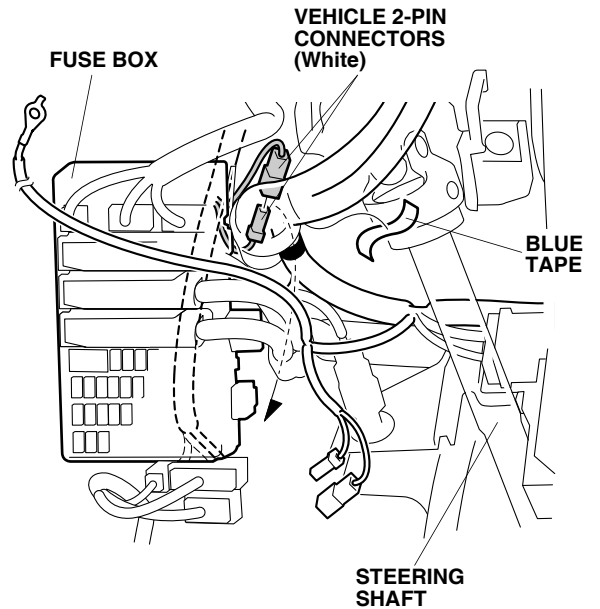
34. Secure the 4-pin connector to the vehicle harness with one wire tie.



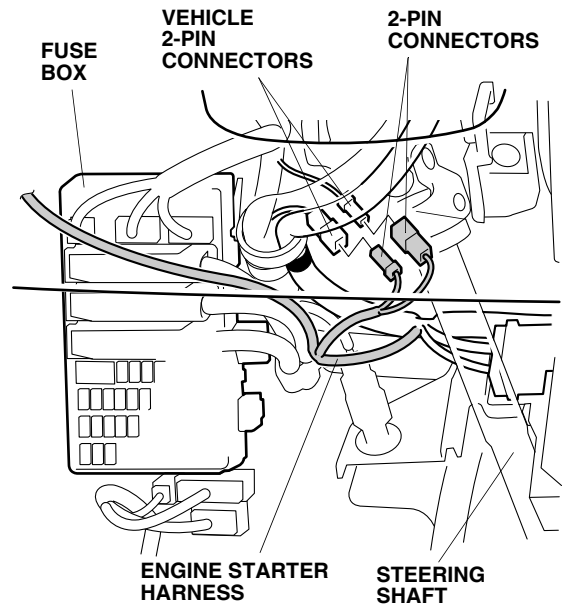
35. Align the green tape on the engine starter harness with the vehicle clip. Secure the engine starter harness to the vehicle harness with one wire tie.



36. Locate and remove the blue tape from the vehicle 2-pin connectors (white), and unplug the vehicle 2-pin connectors as shown.

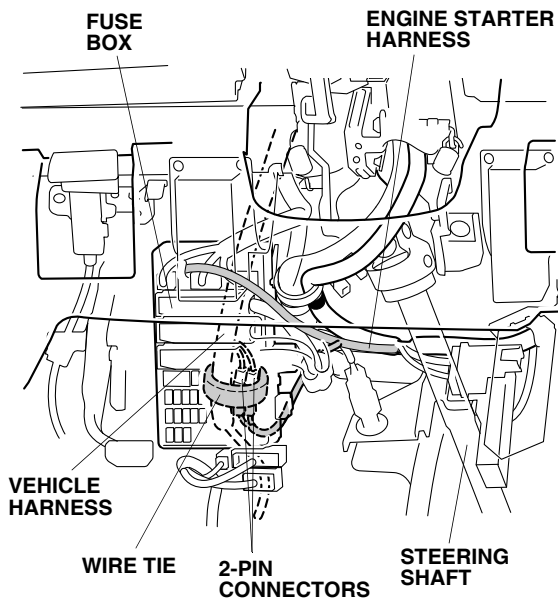


37. Plug the engine starter harness 2-pin connectors to the vehicle 2-pin connectors as shown.

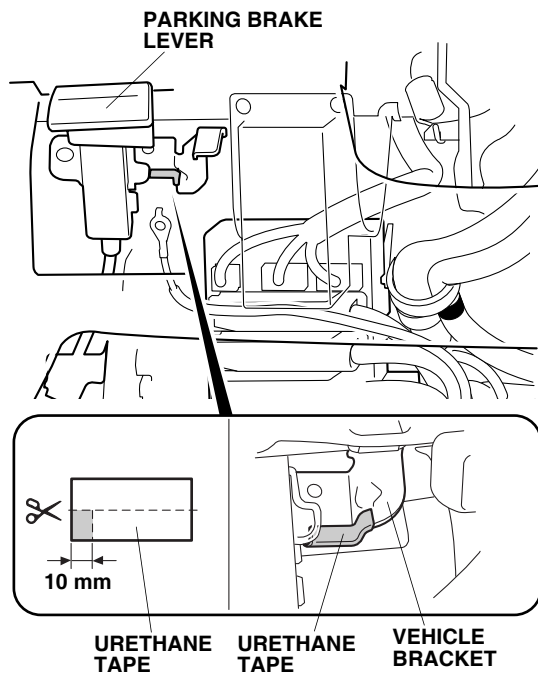


38. Route the engine starter harness 2-pin connectors behind the fuse box as shown.

39. Secure the 2-pin connectors to the vehicle harness with one wire tie.

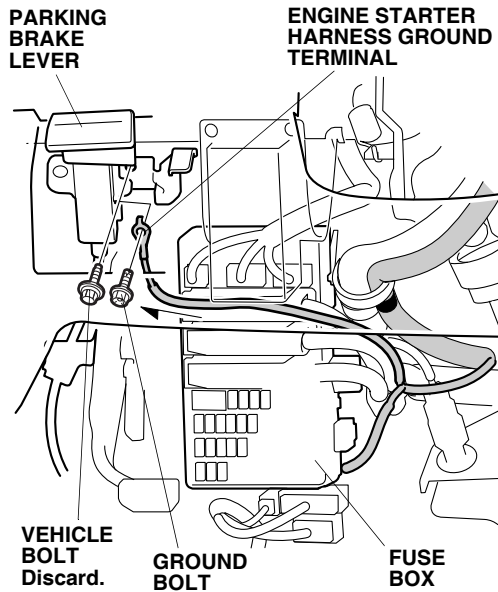


40. Cut a urethane tape into two equal parts, and cut a 10 mm piece from one part, as shown.

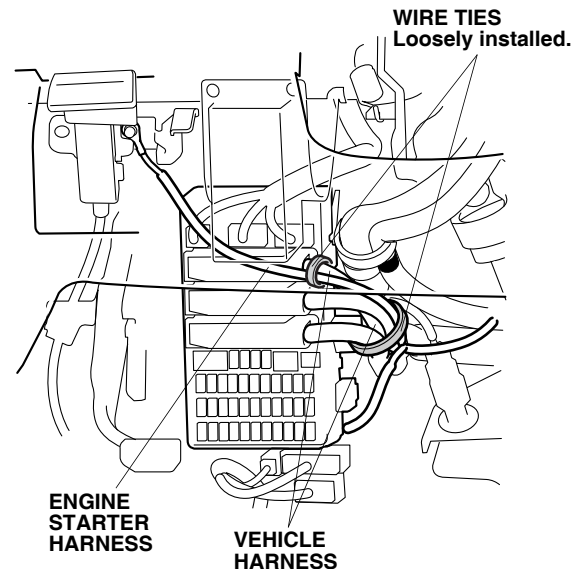


41. Clean the vehicle bracket surface with isopropyl alcohol where the urethane tape will attach. Attach the 10 mm piece of urethane tape to the vehicle bracket as shown.

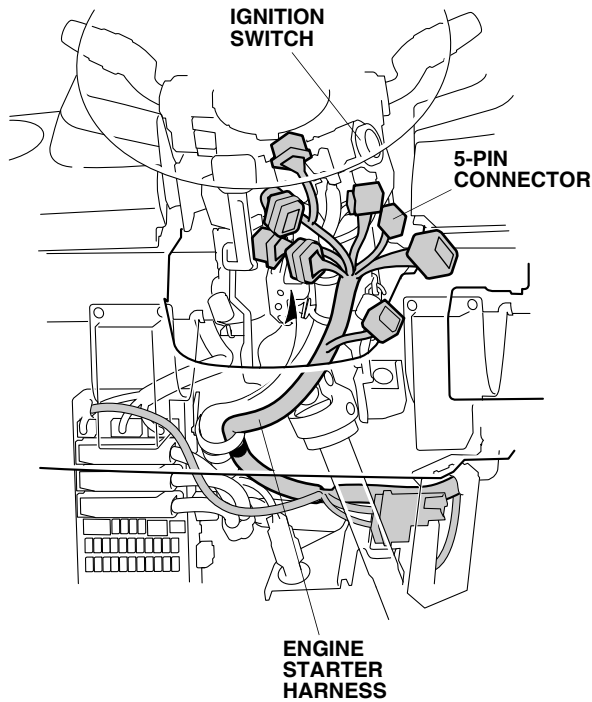
42. Route the engine starter harness ground terminal as shown.



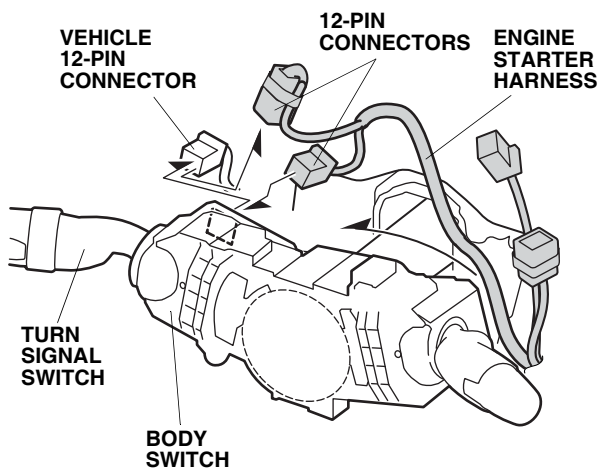
43. Remove the vehicle bolt near the parking brake lever, and discard it. Install the engine starter harness ground terminal with the ground bolt from the kit.
44. Secure the engine starter harness to the vehicle harness with two loosely installed wire ties.



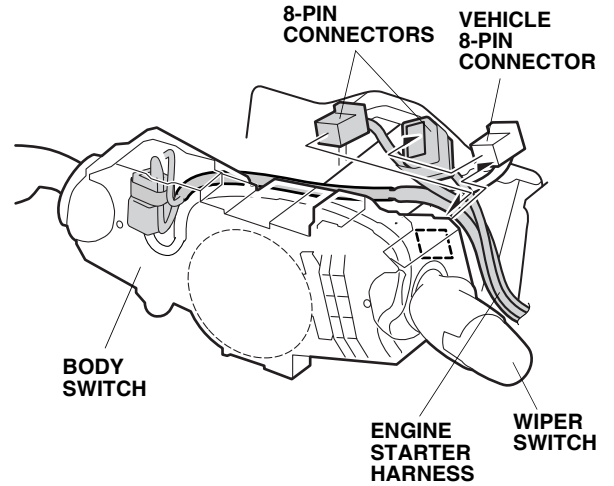
45. Route the engine starter harness 5-pin connector to the ignition switch.



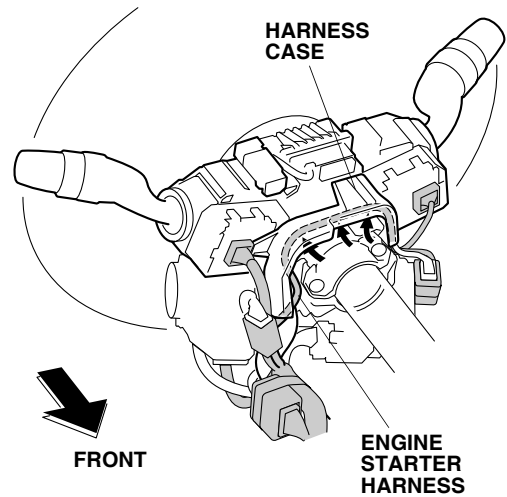
46. Unplug the vehicle 12-pin connector, and plug it into the engine starter harness 12-pin connector. Plug the remaining engine starter harness 12-pin connector into the turn signal switch.



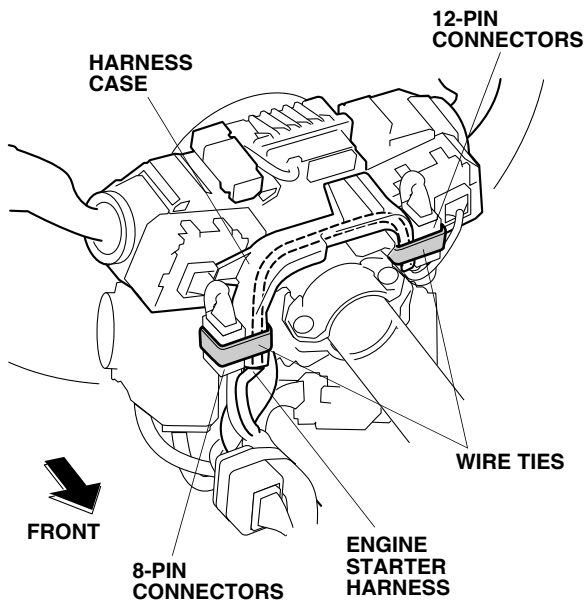
47. Unplug the vehicle 8-pin connector, and plug it into the engine starter harness 8-pin connector. Plug the remaining engine starter harness 8-pin connector into the wiper switch.



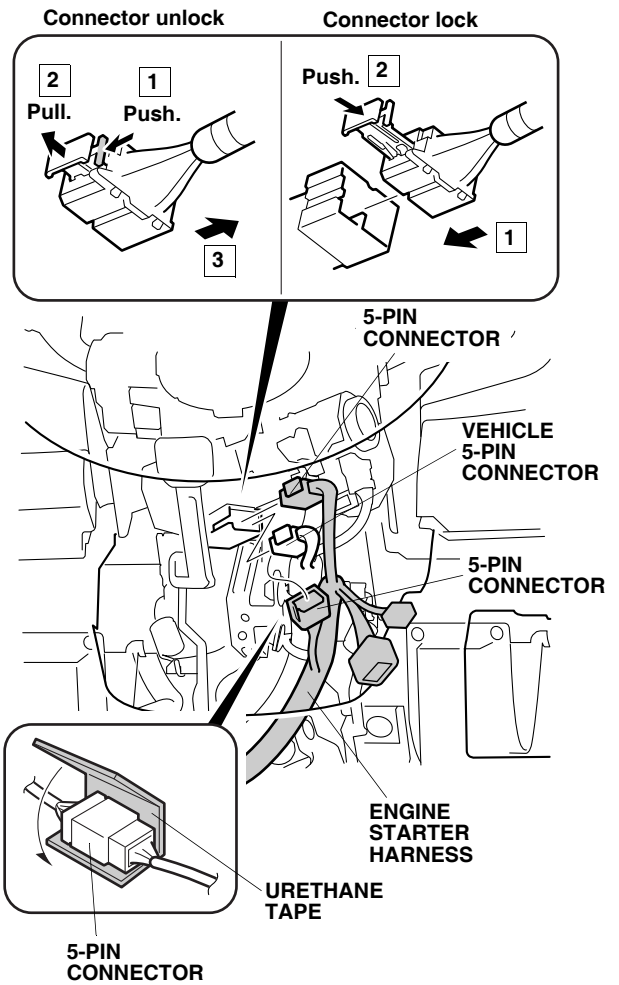
48. Route the engine starter harness into the harness case.



49. Secure the 12-pin and 8-pin connectors to the harness case with two wire ties.

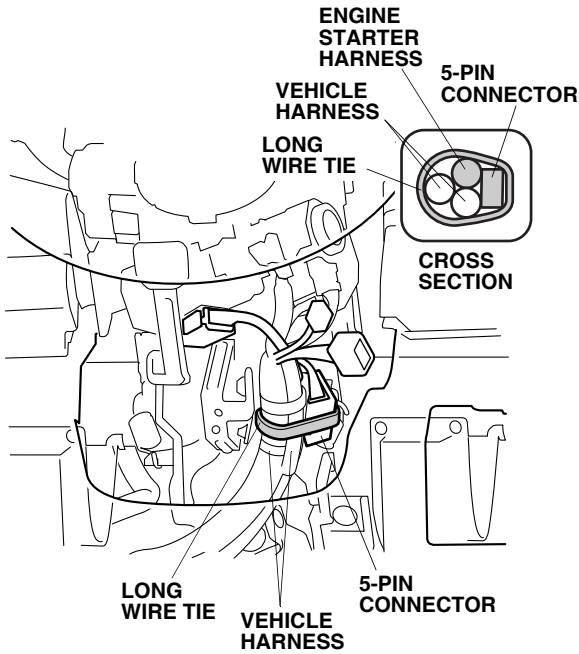


50. Unplug the vehicle 5-pin connector from the ignition switch, and plug the engine starter harness 5-pin connector into the ignition switch.



51. Plug the engine starter harness 5-pin connector into the vehicle 5-pin connector.
- NOTE:** Make sure the engine starter harness 5-pin connector is connected securely. A loose connection can cause engine stalling.
52. Wrap one urethane tape around the 5-pin connectors.

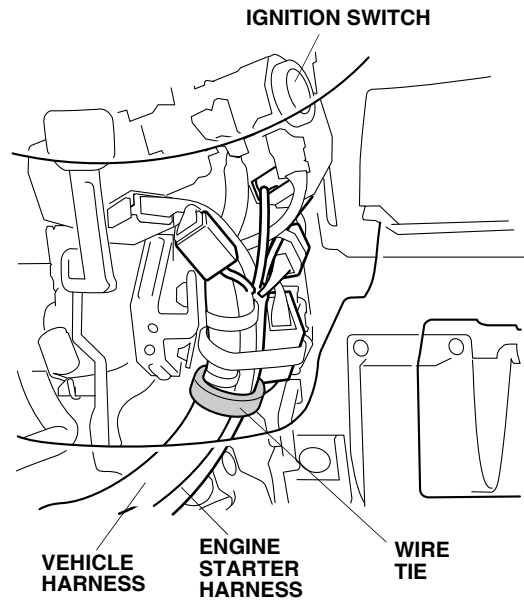
53. Secure the 5-pin connectors in between the vehicle harness and the engine starter harness with one long wire tie.



54. Unplug the vehicle 7-pin connector from the ignition switch, and plug the engine starter harness 7-pin connectors to the ignition switch and to the vehicle 7-pin connector.

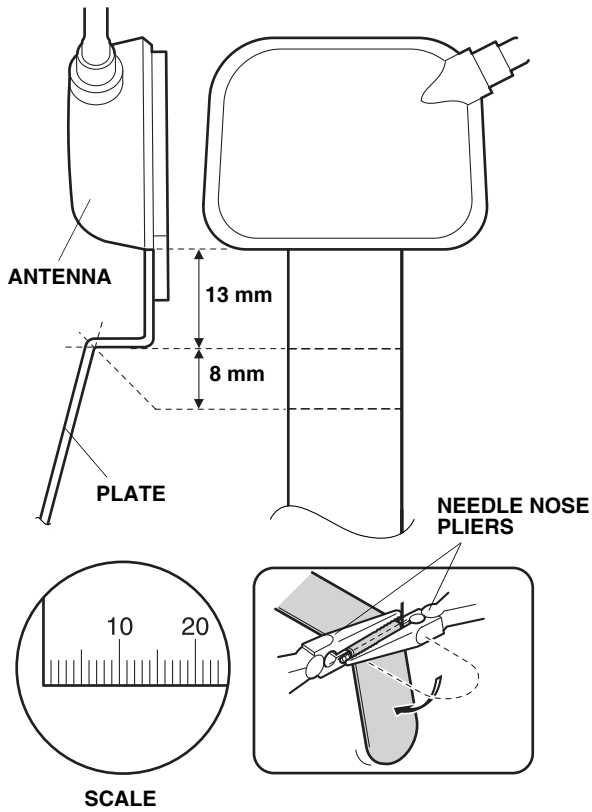


55. Secure the engine starter harness to the vehicle harness with one wire tie as shown.

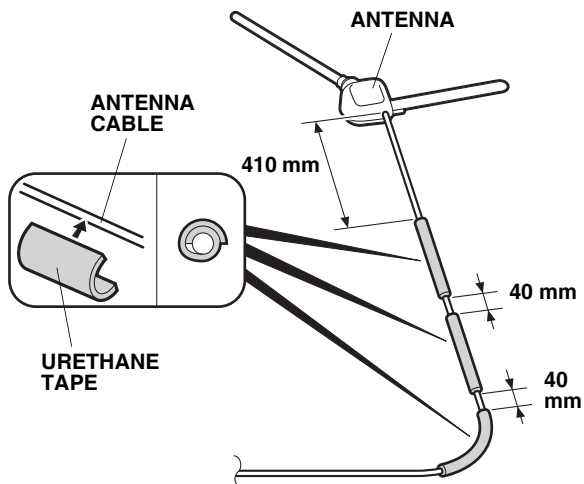


56. Adjust the steering wheel in, out, up, and down while you check the engine starter harness routing. If the harness is rubbing against the steering column bracket, check the installation and position of the wire ties installed in steps 53 and 55.

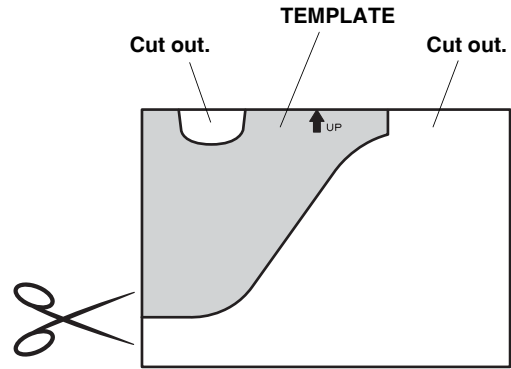
57. Using two needle nose pliers, bend the antenna plate according to the drawing shown,



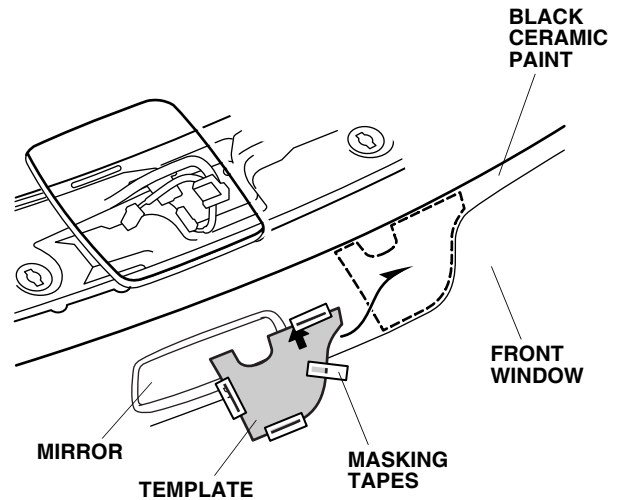
58. Starting at the antenna end of the cable, wrap three urethane tapes around the antenna cable at the measurements shown.



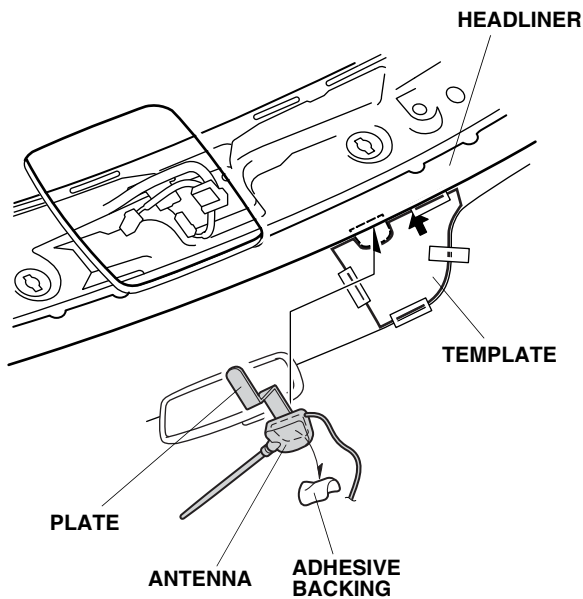
59. Using scissors, cut out the template.



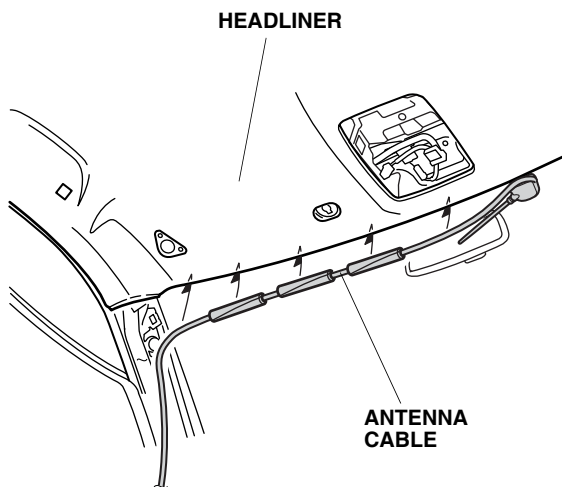
60. Align the template with edge of the black ceramic paint as shown, then secure the template to the windshield with masking tape.



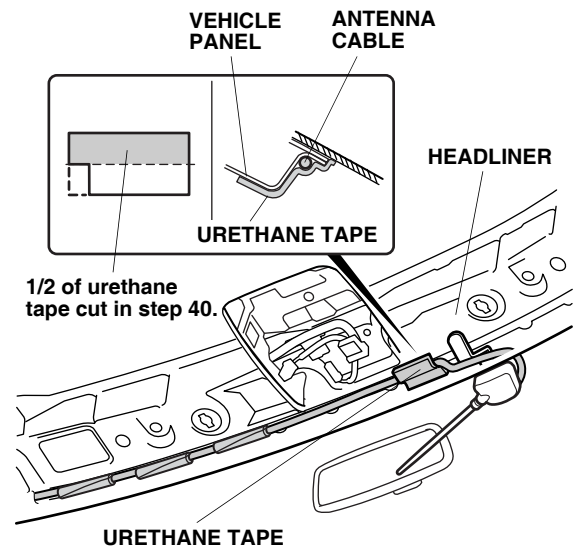
61. Using isopropyl alcohol on a shop towel, clean the area where the antenna will attach. Allow to dry before proceeding.



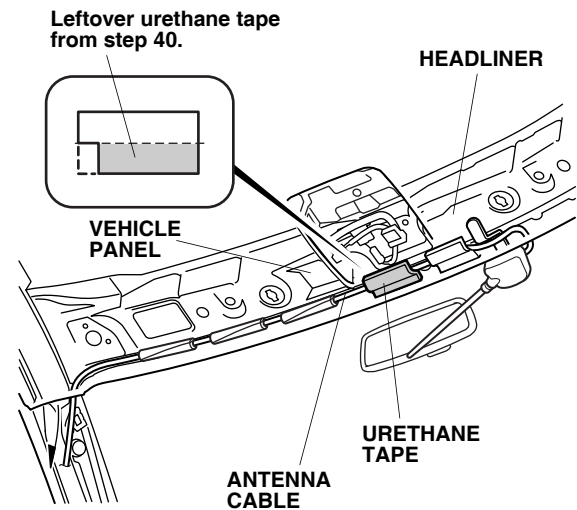
62. Remove the adhesive backing from the antenna, insert the antenna plate behind the headliner, and attach the antenna to the windshield.
63. Remove the template.
64. Route the antenna cable to the left side of the vehicle, and push it behind the headliner as shown. Be careful not to crease the headliner.



65. Clean the vehicle panel surface with isopropyl alcohol where the urethane tape will attach. Secure the antenna cable to the vehicle panel with one half of the urethane tape that you cut into two in step 40. Be careful not to crease the headliner.

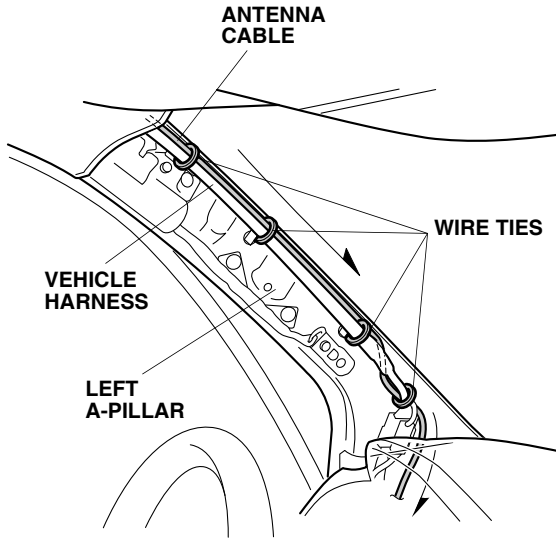


66. Clean the vehicle panel surface where the urethane tape will attach with isopropyl alcohol. Secure the antenna cable to the vehicle panel with the remaining part of the urethane tape you cut in step 40. Be careful not to crease the headliner.

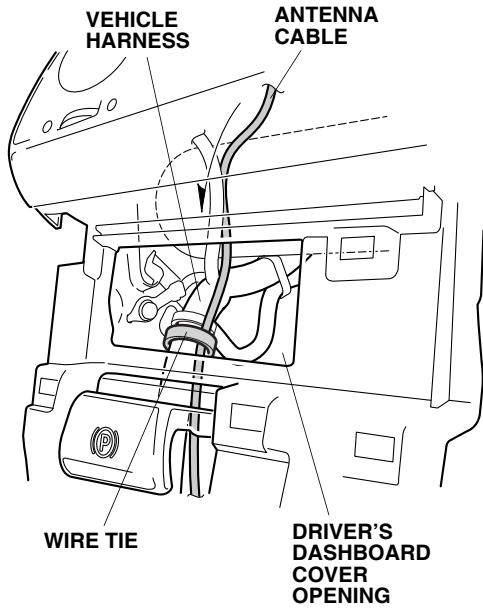




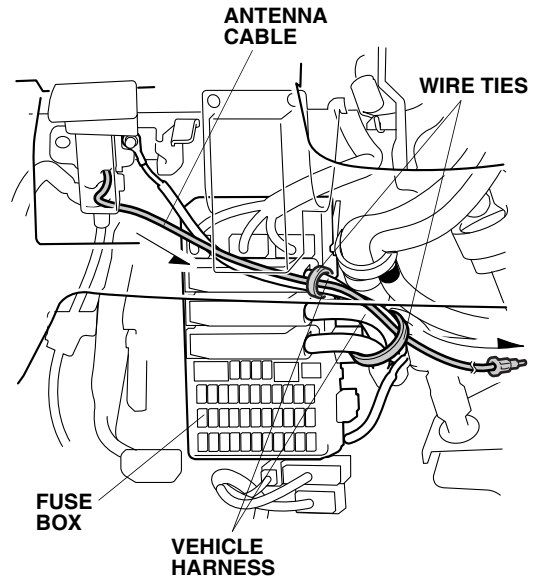
67. Route the antenna cable along the left A-pillar. Secure the antenna cable to the vehicle harness with four wire ties as shown.



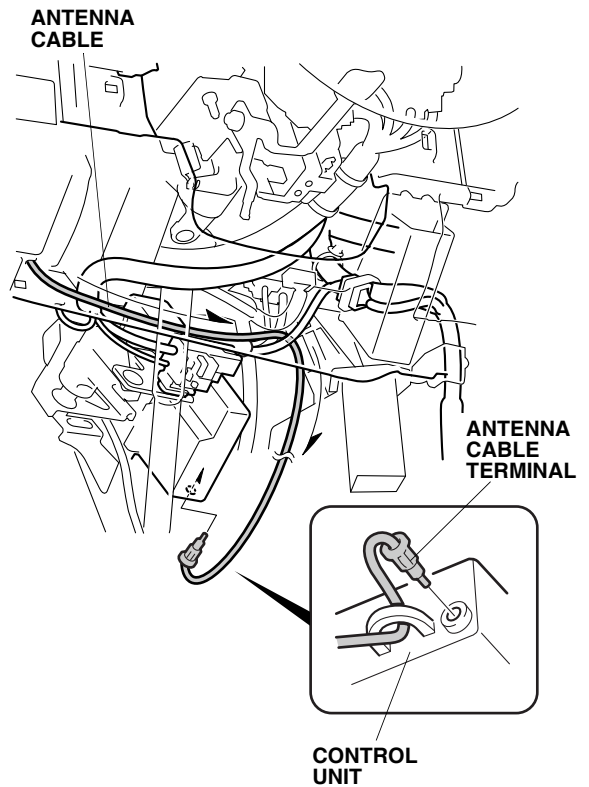
68. Secure the antenna cable to the vehicle harness with one wire tie.



69. Route the antenna cable along the engine starter harness. Secure the antenna cable to the vehicle harness with the two wire ties that were loosely installed in step 44.

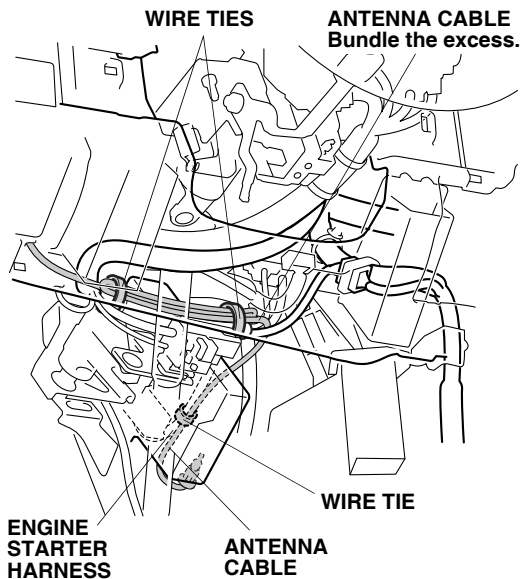


70. Route the antenna cable terminal toward the right side of the vehicle, and plug it into the control unit as shown.

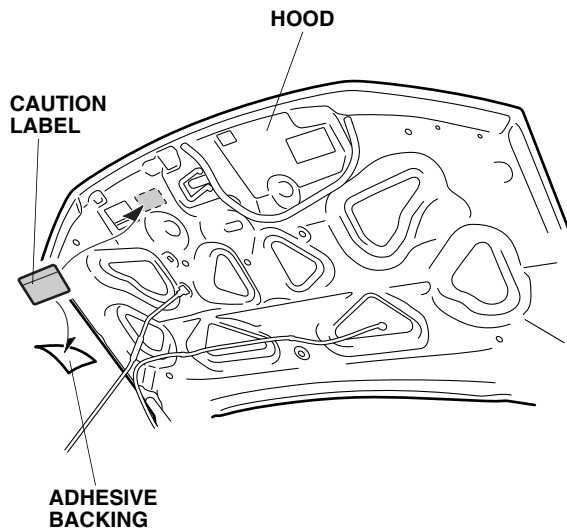




- Secure the engine starter harness and antenna cable with one wire tie as shown.



- Bundle the excess antenna cable. Secure the antenna cable to the engine starter harness with two wire ties.
- Using isopropyl alcohol on a shop towel, clean the hood where the caution label will attach.

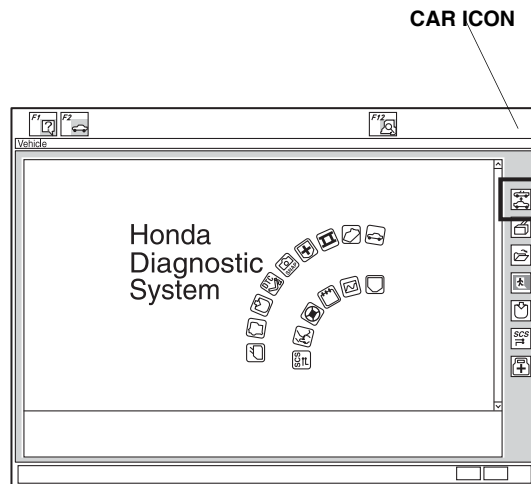


- Attach the caution label to the hood in the area shown.
- Check that all wire harnesses and cables are routed properly and that all connectors are plugged in.
- Reinstall all removed parts. Check that all clips and other fasteners are installed securely.

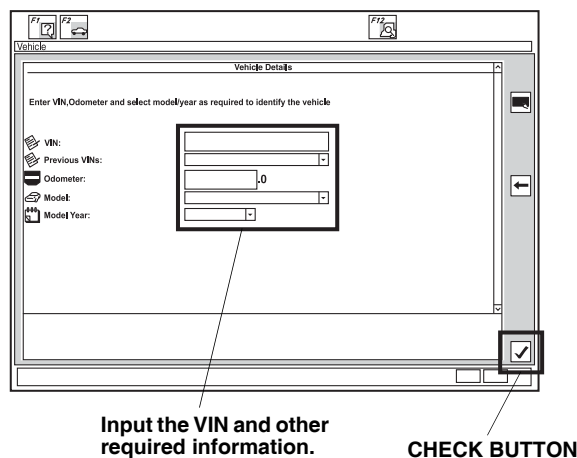
- Reconnect the negative cable to the battery. Check that the electrical accessory and other electrical systems function properly.
- Enter the customer's audio unit anti-theft code and reset the radio station presets.
- Reset the clock on models without navigation.
- Do the "REMOTE ENGINE STARTER REGISTRATION" and "FUNCTION CHECK."

### REMOTE ENGINE STARTER REGISTRATION

- Acquire the PCM code from the Interactive Network.



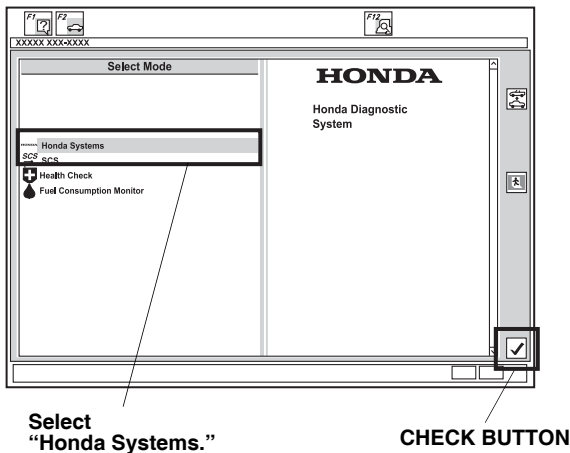
- Connect the HDS tester to the OBD II data link connector, then turn the ignition switch to ON (II).
- Turn on the HDS, and click the car icon.
- Input the VIN and other required information into the HDS, then click the check button.



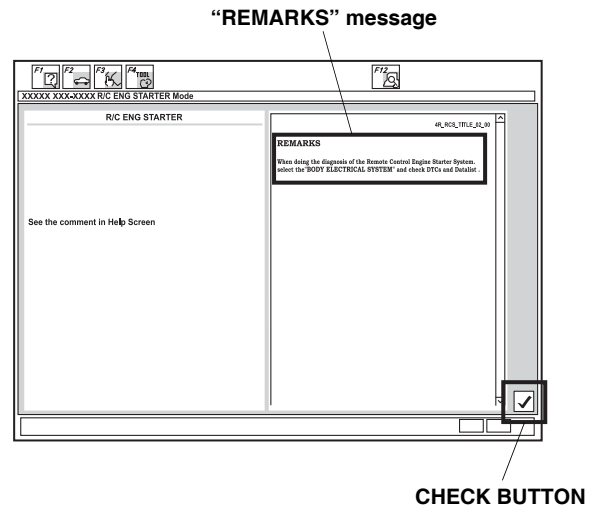
Input the VIN and other required information.

CHECK BUTTON

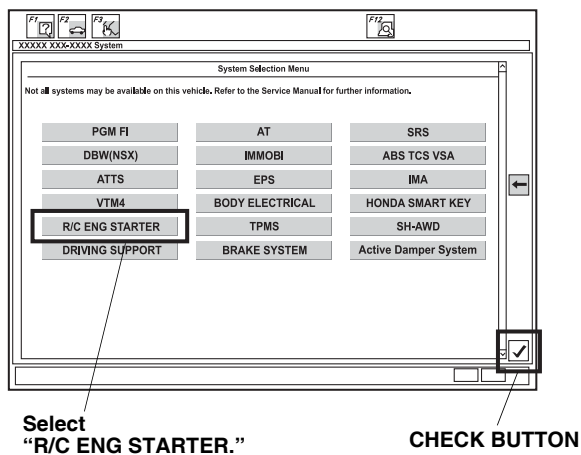
5. Select **Honda Systems**, then click the check button.



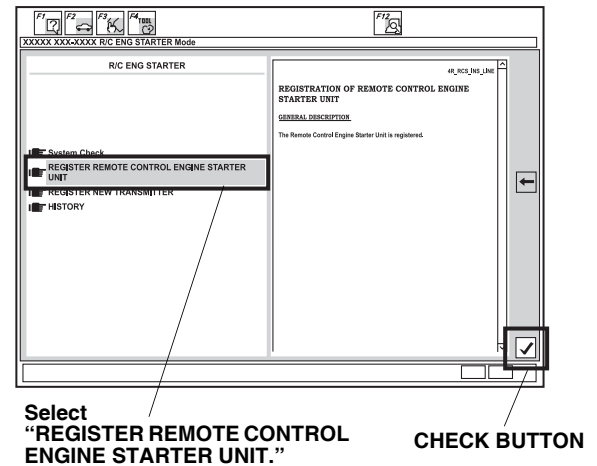
7. A **REMARKS** message will display. Click on the check button.



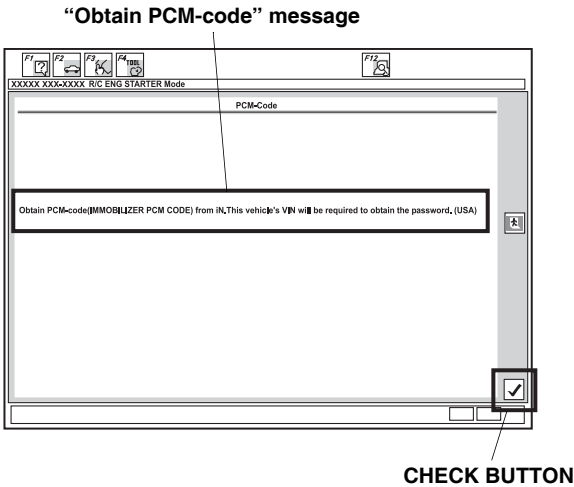
6. Select **R/C ENG STARTER**, and click the check button.



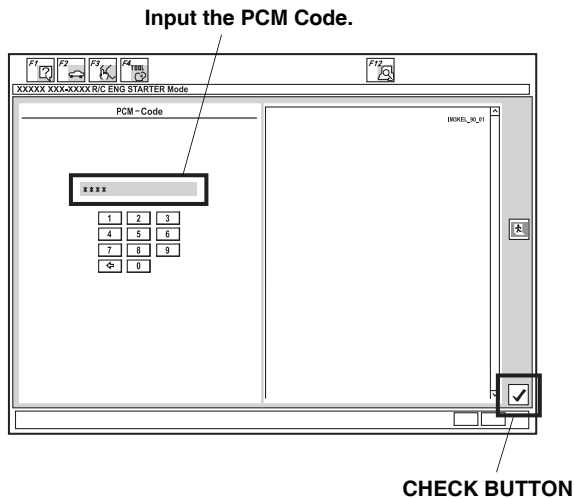
8. Select **REGISTER REMOTE CONTROL ENGINE STARTER UNIT**, then click the check button.



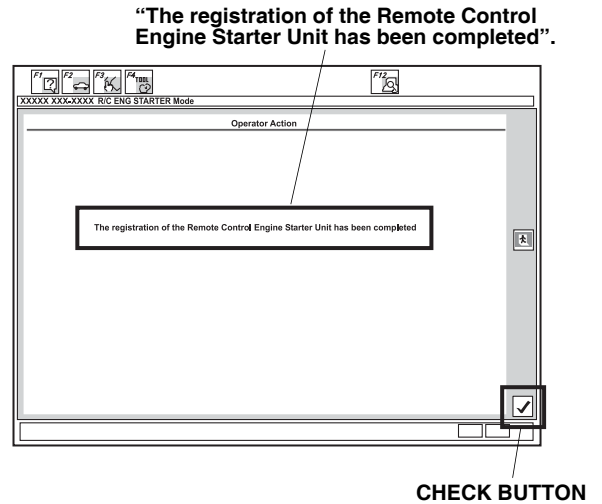
9. The following message will display: **Obtain PCM-code (IMMOBILIZER PCM CODE) from iN. This vehicle's VIN will be required to obtain the password. (USA).** Click on the check button.



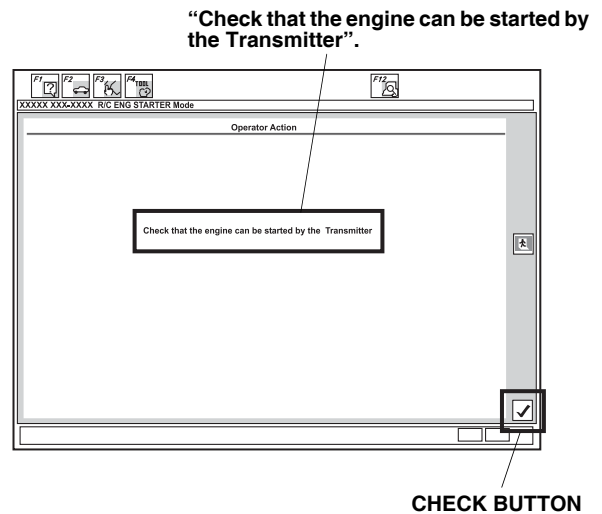
10. Input the PCM code, then click the check button. **NOTE:** To ensure security, the PCM code (password) is changed everyday, so it is impossible to register the remote control engine starter if the dates of the PCM code acquisition and registration are different. The date of the HDS tester should also match.



11. The following message will display: **The registration of the Remote Control Engine Starter Unit has been completed.** Click on the check button.



12. The following message will display: **Check that the engine can be started by the Transmitter.** Click on the check button.



13. Perform the "FUNCTION CHECK" on the next page, then disconnect the HDS.

## FUNCTION CHECK

### Operating Conditions

- Hood is closed.
- Shift lever is in park.
- The key is not in the ignition switch.
- All doors and tailgate are closed and locked.

### Inspection

1. Press the command button on the transmitter and, within 1 second, press the start button. The engine should start if all operating conditions are met.

Does the engine start?

Yes - Operation is normal.
No: <ul style="list-style-type: none"><li>• Make sure all operating conditions are met.</li><li>• Check the engine starter harness connections.</li><li>• Connect the HDS and check for an indicated failure. (Refer to the appropriate service manual for details.)</li></ul>

2. Press the command button on the transmitter and, within 1 second, press the stop button. The engine should stop.

Does the engine stop?

Yes - Operation is normal.
No - Check the engine starter harness connections.

3. After the engine has stopped, start the engine again, and check that the engine stops after each of the following conditions:

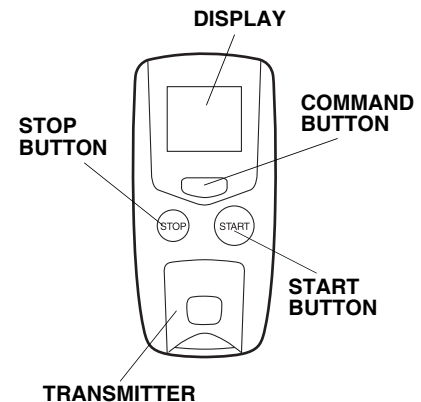
NOTE: After each test the ignition key must be cycled, or the driver's door must be opened and closed

- Move the shift lever out of the P position.
- Unlock or open the doors or the tailgate.
- Open the hood.
- Insert the key in the ignition switch.
- Press on the brake pedal.

Does the engine stop after each of these tests?

Yes - Operation is normal.
No - Check the engine starter harness connections.

4. Check that the power windows and the moon roof do not function when the engine is started with the transmitter.
5. Press the command button on the transmitter two times and check the vehicle condition on the display.
6. Check the operation of the transmitter when the vehicle is 100 m to 150 m (325 to 490 ft.) away, and in direct sight.



### **How to Program an Additional Transmitter**

1. Connect the HDS to the data link connector.
2. Start the HDS and click on the car icon.
3. Input the vehicle's VIN and other required information.
4. Select **Honda Systems**.
5. Select **R/C Engine Starter**.
6. Select **REGISTER NEW TRANSMITTER**.
7. When "Ready to program the new transmitter" shows, select **ENTER**.
8. Press and release the Command button.
9. Press and release the Stop button.
10. Perform the function check on both transmitters.

**NOTE:** Only 2 remotes can be stored in the system's memory.