



# INSTALLATION INSTRUCTIONS

Accessory

REAR CARGO TRAY  
P/N 08U45-SJC-100

Application

2013 RIDGELINE

Publications No.

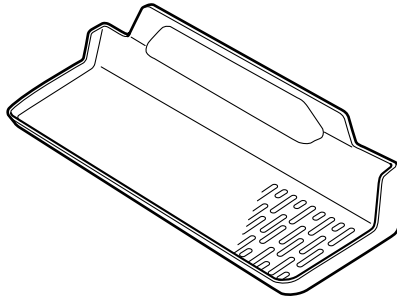
All 13359

Issue Date

SEP 2012

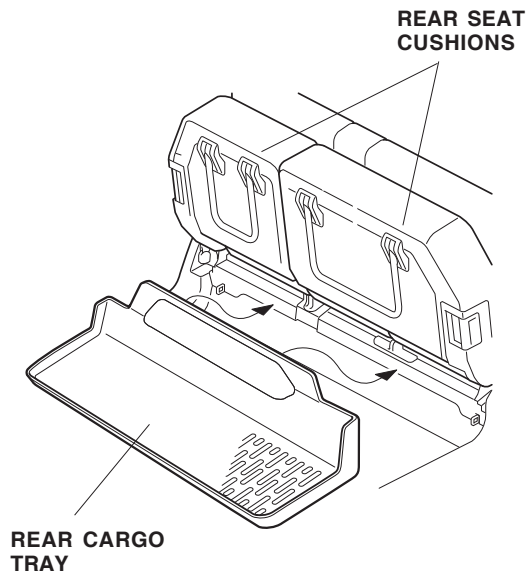
## PARTS LIST

Rear cargo tray



## INSTALLATION

1. Raise both rear seat cushions.
2. Position the rear cargo tray on the floor mat under the seat cushions.



3. Return the rear seat cushions to their original positions.