



# INSTALLATION INSTRUCTIONS

Accessory  
**FENDER TRIM**  
P/N 08P21-SZA-100A

Application  
**2013 PILOT**

Publications No.  
**All 13311**  
Issue Date  
**AUG 2012**

*NOTE: The fender trim cannot be installed on vehicle equipped with the full nose mask.*

## PARTS LIST

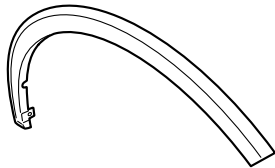
Right front bumper trim



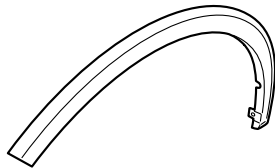
Left front bumper trim



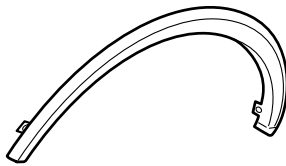
Right front fender trim



Left front fender trim



Right rear fender trim



Left rear fender trim



Right rear bumper trim



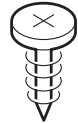
Left rear bumper trim



4 Spring nuts



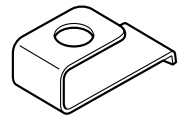
4 Self-tapping screws



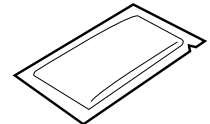
6 Clips



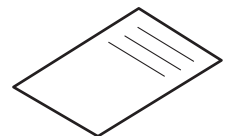
4 Brackets



8 Alcohol swabs



Alcohol swab information



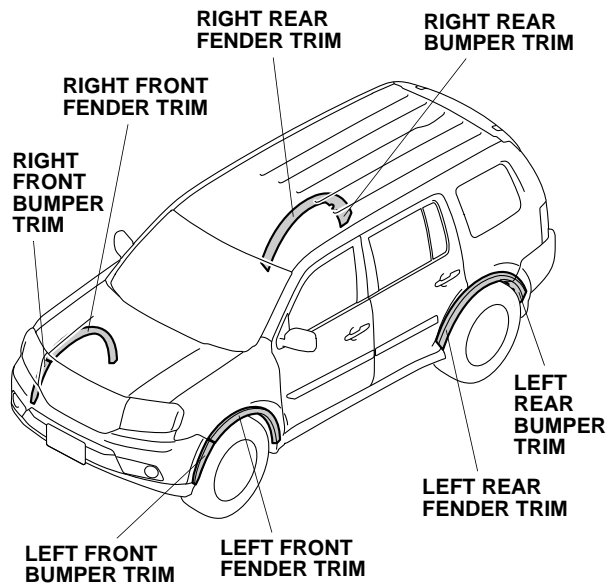
## TOOLS AND SUPPLIES REQUIRED

Masking tape  
Stubby Phillips screwdriver  
Pushpin  
Shop towel  
Needle nose pliers

*The following tools are available through the Honda Tool and Equipment Program. On the iN, click on: Service > Service Bay > Tool and Equipment Program, then enter the number under "Search". Or, call 888-424-6857.*

Rubber roller (T/N MHLE54D)  
Plastic trim tool (T/N SILTRIMTL10)

### Illustration of the Fender Trim on the Vehicle



## INSTALLATION

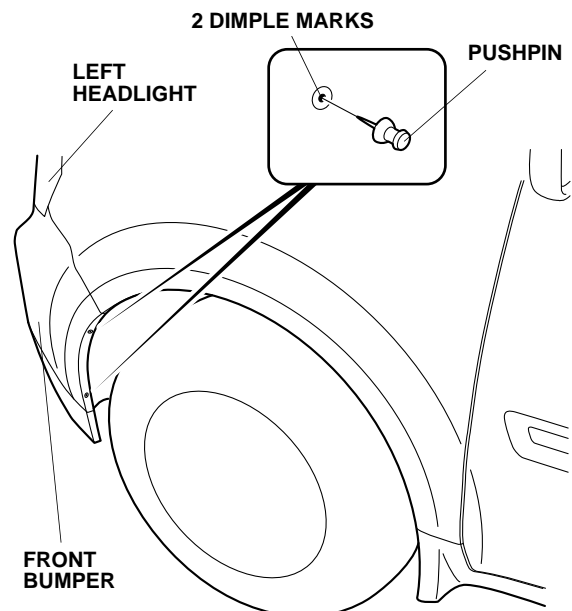
**Customer Information:** The information in this installation instruction is intended for use only by skilled technicians who have the proper tools, equipment, and training to correctly and safely add equipment to your vehicle. These procedures should not be attempted by "do-it-yourselfers."

### NOTE:

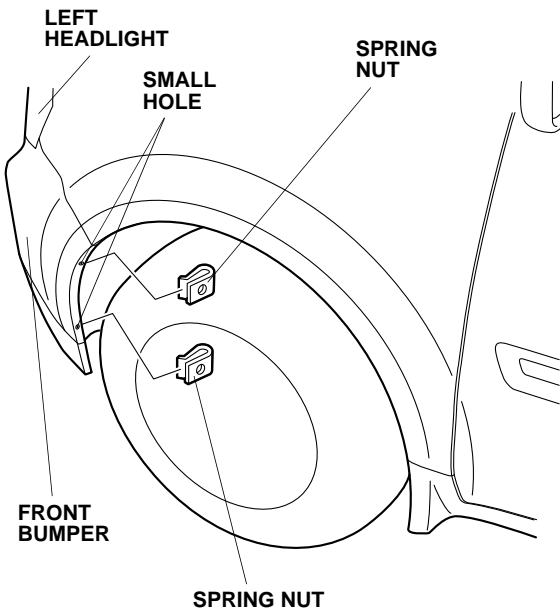
- Be careful not to damage the paint finish.
- This kit should only be installed if the ambient air temperature is above 15°C (60°F).
- To allow the adhesive to cure, do not wash the vehicle for 24 hours. Please advise the customer.
- These instructions show the fender trim being installed on the left side of the vehicle; the same procedure applies to installing the fender trim on the right side of the vehicle.

### Installing the Left Front Bumper Trim and the Left Front Fender Trim

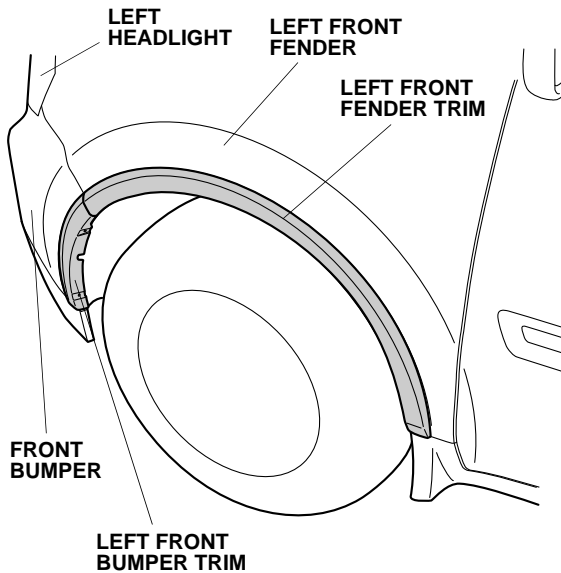
1. Using a pushpin, make small holes through the centers of the two dimple marks on the front bumper.



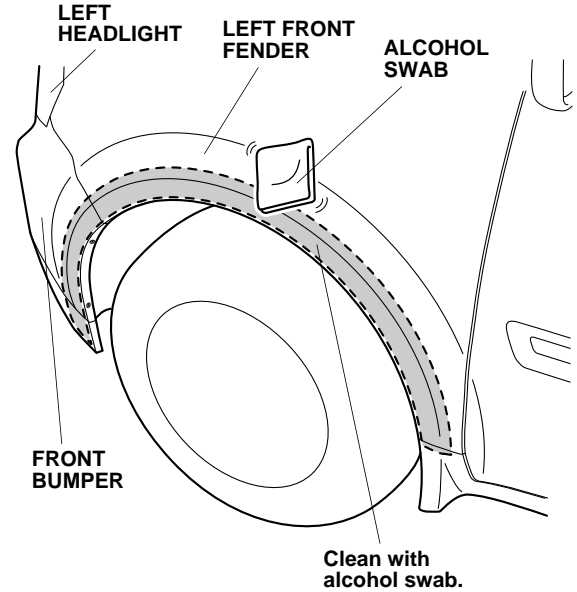
- Slide the two spring nuts over the two small holes made in the front bumper.



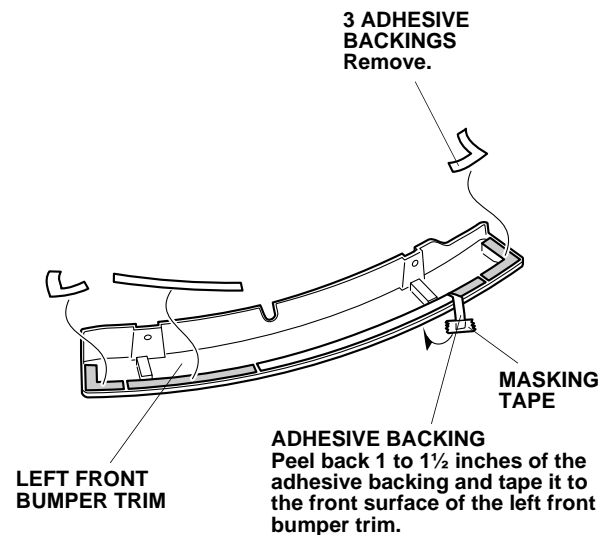
- Check the fit of the left front bumper trim and the left front fender trim to the front bumper and the left front fender. Remove the left front bumper trim and the left front fender trim.



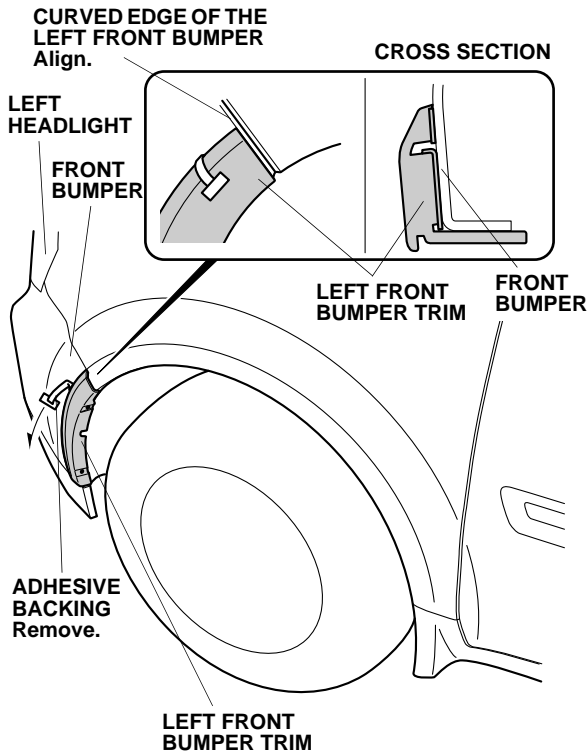
- Using an alcohol swab, thoroughly clean the area where the left front bumper trim and the left front fender trim will attach.



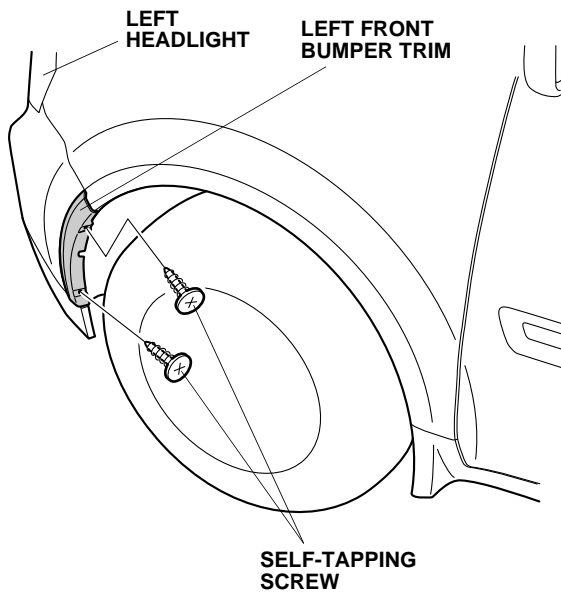
- Peel back 1 to 1½ inches of the adhesive backing, and tape it to the front surface of the left front bumper trim. Remove the remaining adhesive backings from the left front bumper trim.



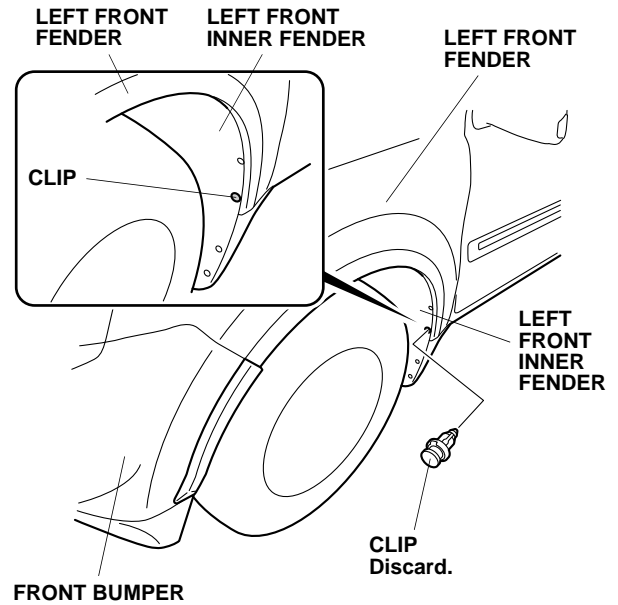
- Align the edge of the left front bumper trim with the curved edge of the front bumper as shown. Attach the left front bumper trim to the front bumper.



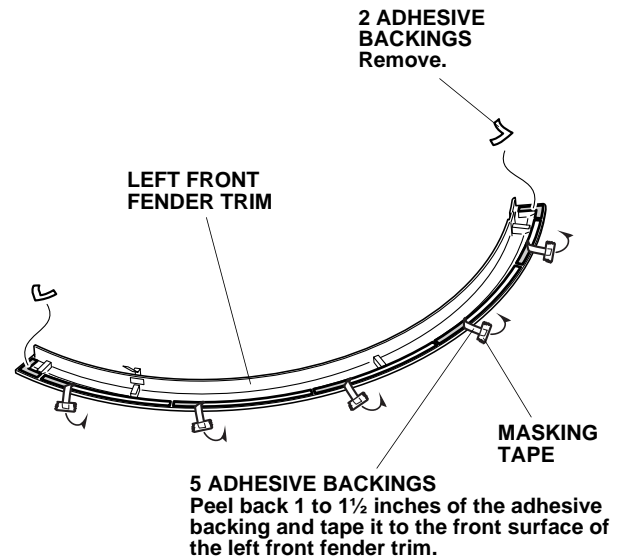
- While applying light pressure against the left front bumper trim, carefully remove the taped adhesive backing.
- Secure with two self-tapping screws to the left front bumper trim.



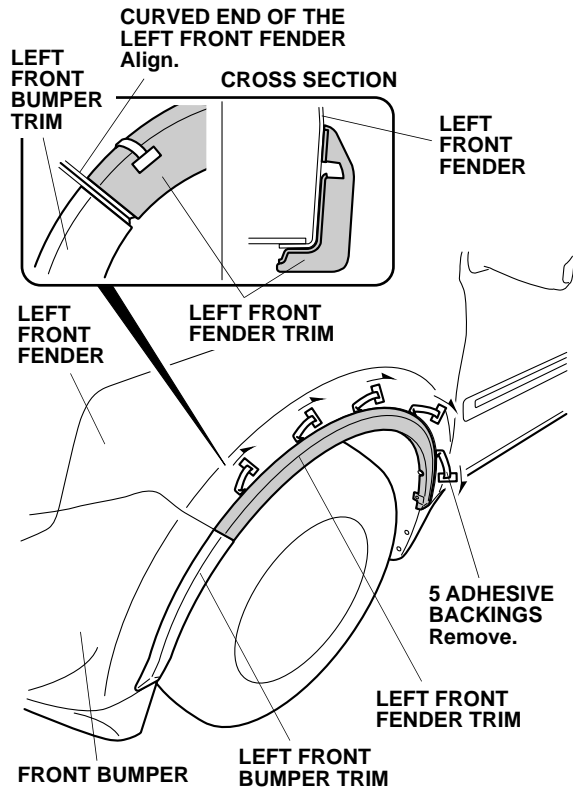
- Remove one clip from the left front inner fender as shown.



- Peel back 1 to 1½ inches of the adhesive backing, and tape it to the front surface of the left front fender trim. Remove the remaining adhesive backings from the left front fender trim.

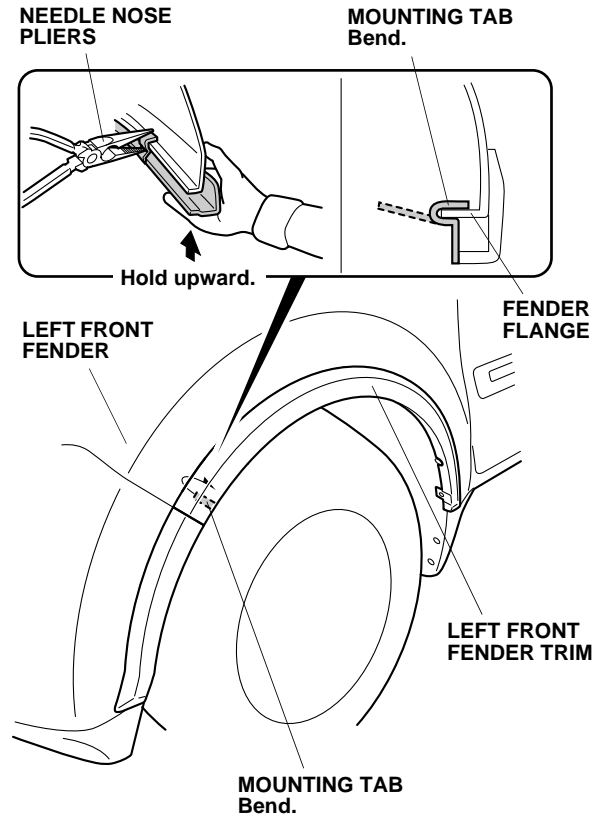


- Align the edge of the left front fender trim with the curved edge of the left front fender as shown. Attach the left front fender trim to the left front fender.

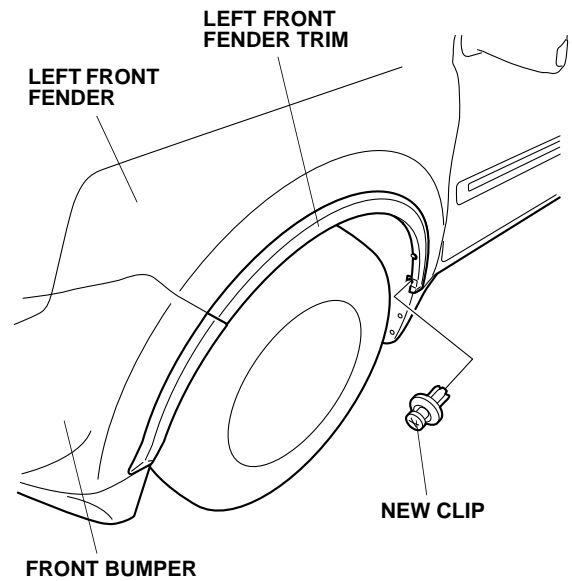


- While applying light pressure against the left front fender trim, carefully remove the taped adhesive backings.

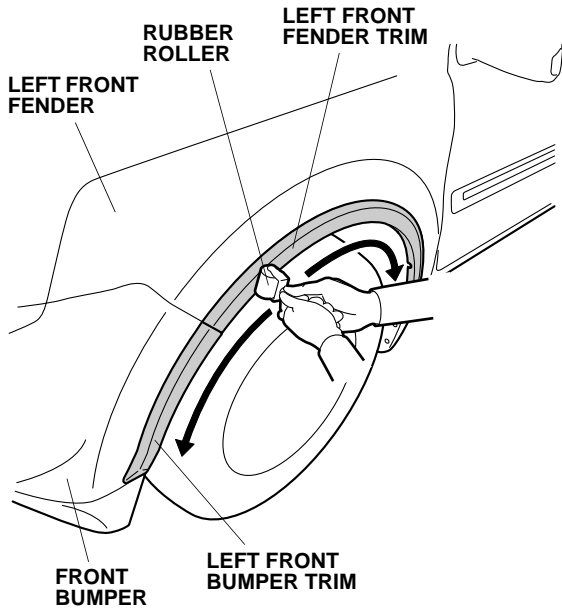
- While holding the left front fender trim upward, use needle nose pliers over a shop towel to bend the mounting tab around the fender flange.



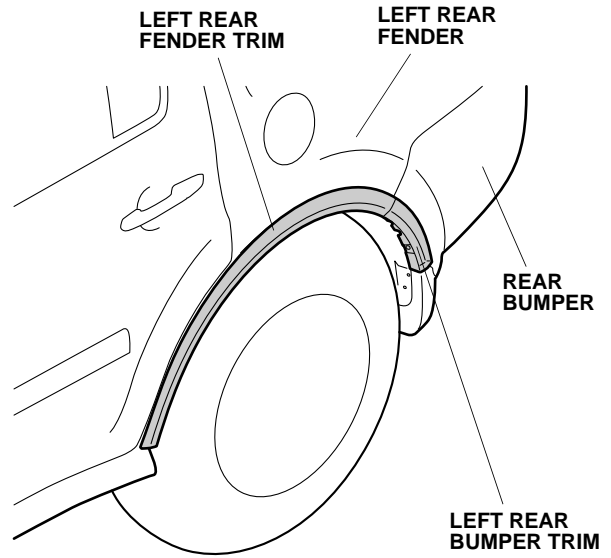
- Install one new clip to the left front fender trim.



15. Using a rubber roller, apply pressure against the left front fender trim and left front bumper trim, while rolling from one end to the other.

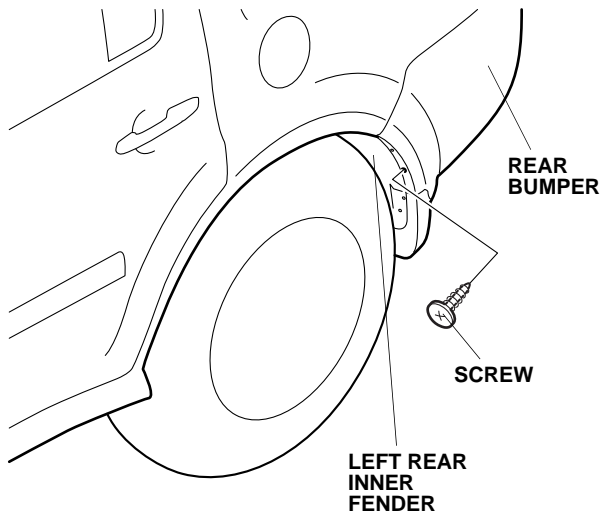


17. Check the fit of the left rear bumper trim and the left rear fender trim to the rear bumper and the left rear fender.

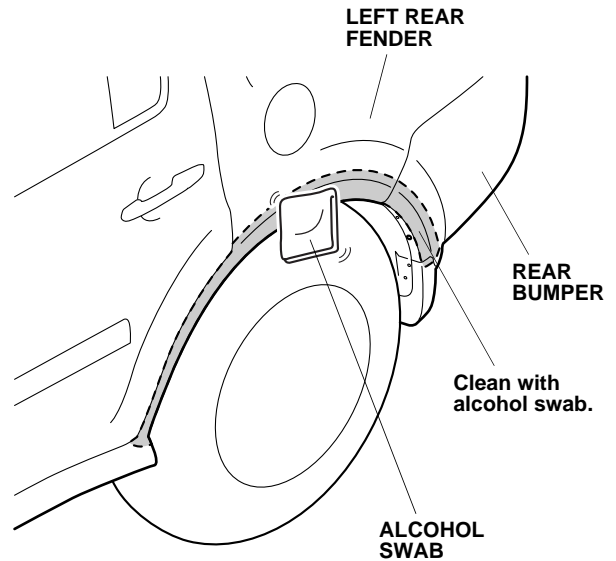


### Installing the Left Rear Fender Trim and the Left Rear Bumper Trim

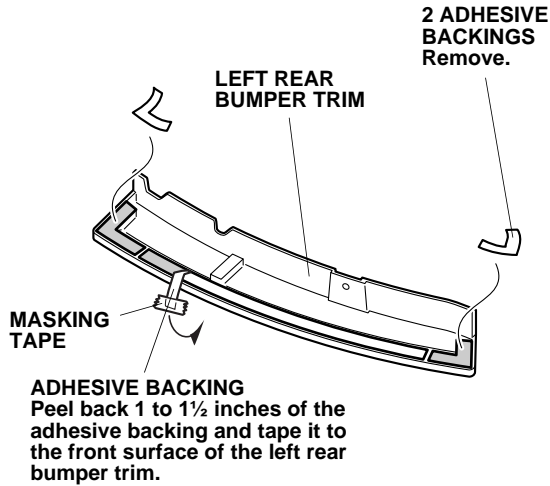
16. Remove one screw from the left rear inner fender as shown.



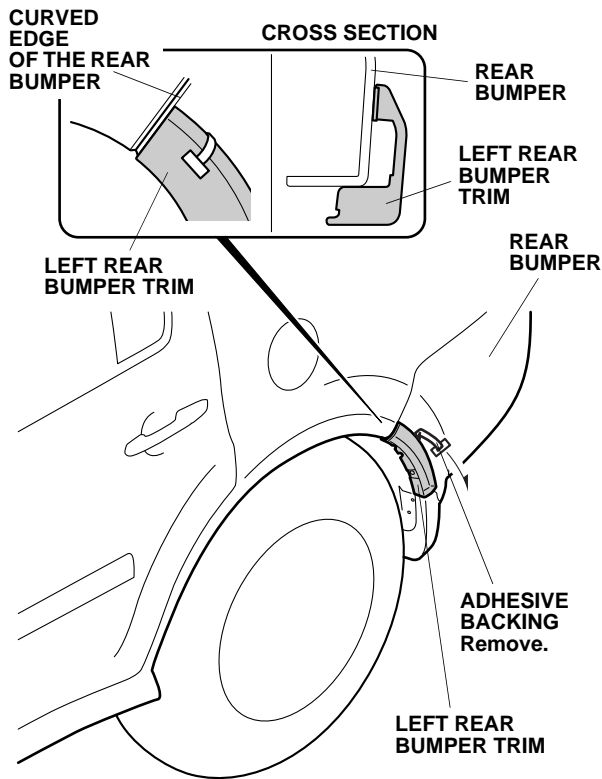
18. Using an alcohol swab, thoroughly clean the area where the left rear bumper trim and the left rear fender trim will attach.



- Peel back 1 to 1½ inches of the adhesive backing, and tape it to the front surface of the left rear bumper trim. Remove the remaining adhesive backings from the left rear bumper trim.

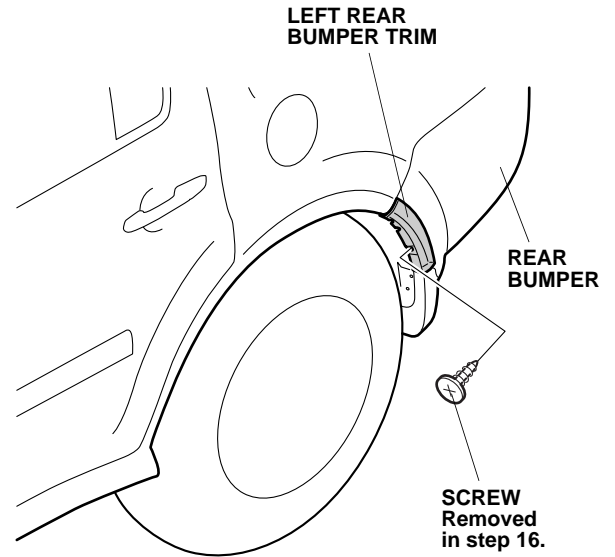


- Align the edge of the left rear bumper trim with the curved edge of the rear bumper as shown. Attach the left rear bumper trim to the rear bumper.

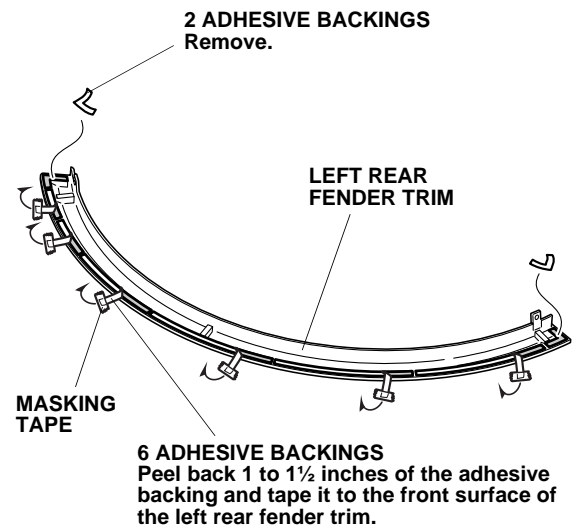


- While applying light pressure against the left rear bumper trim, carefully remove the taped adhesive backing.

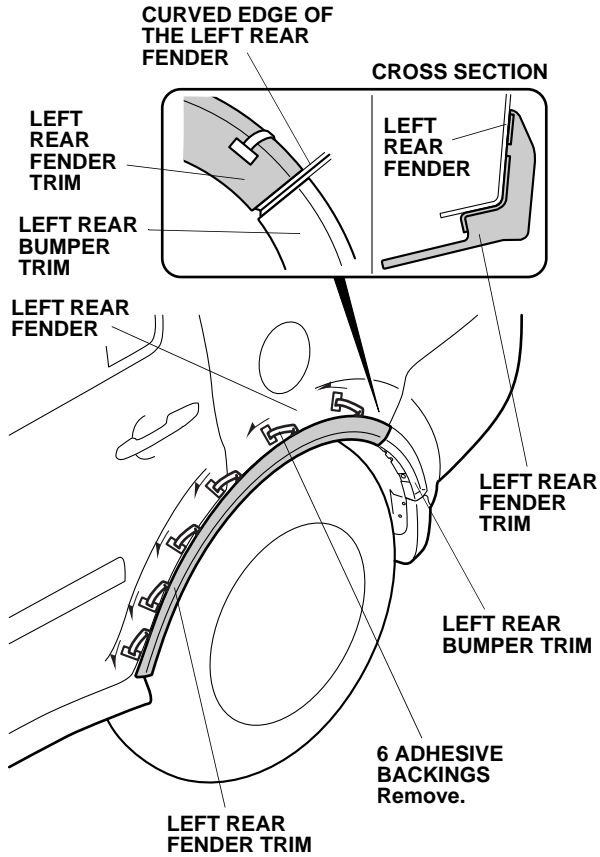
- Install one screw (removed in step 16) to the left rear bumper trim.



- Peel back 1 to 1½ inches of the adhesive backing, and tape it to the front surface of the left rear fender trim. Remove the remaining adhesive backings from the left rear fender trim.

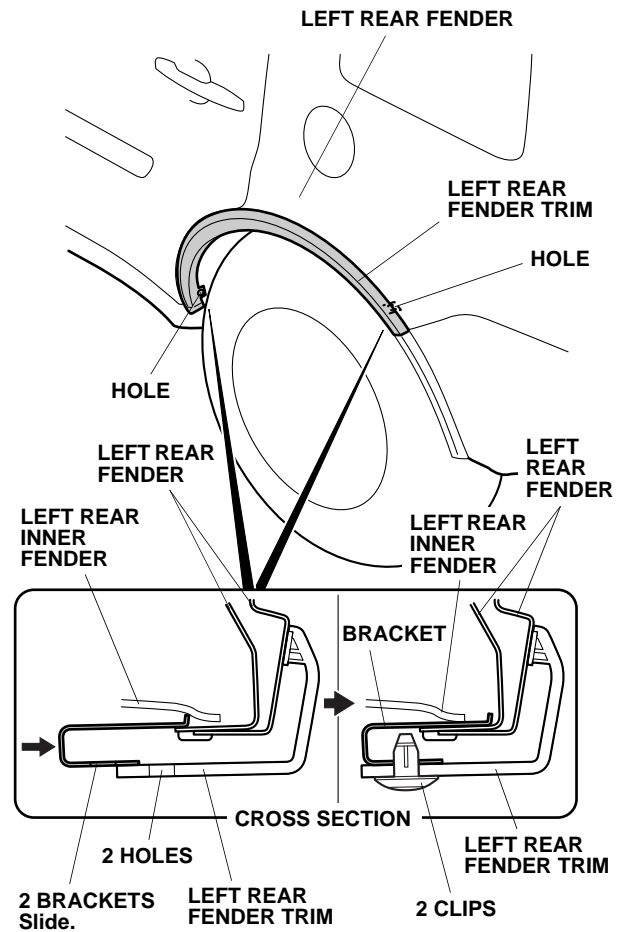


24. Align the edge of the left rear fender trim with the curved edge of the left rear fender as shown. Attach the left rear fender trim to the left rear fender.



25. While applying light pressure against the left rear fender trim, carefully remove the taped adhesive backings.

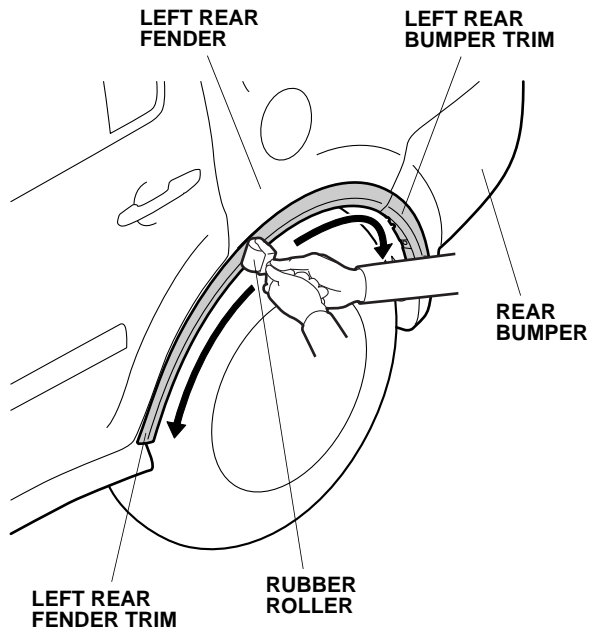
26. Slide the two brackets between the left rear fender and left rear inner fender as shown.



27. Install two clips to the left rear fender trim as shown.



28. Using a rubber roller, apply pressure against the left rear fender trim and left rear bumper trim, while rolling from one end to the other.



29. Repeat steps 1 through 28 to install the fender trim on the right side of the vehicle.