



INSTALLATION INSTRUCTIONS

Accessory

REAR UNDER SEAT STORAGE
P/N 08U43-SJC-100

Application

2012 RIDGELINE

Publications No.

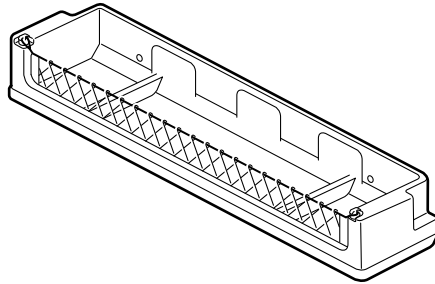
All 12031

Issue Date

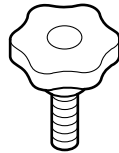
NOV 2011

PARTS LIST

Rear under seat storage
(The ends of the net are not attached.)



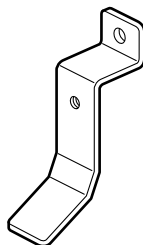
2 Knob bolts



2 Bolts



2 Brackets



TOOLS AND SUPPLIES REQUIRED

Ratchet

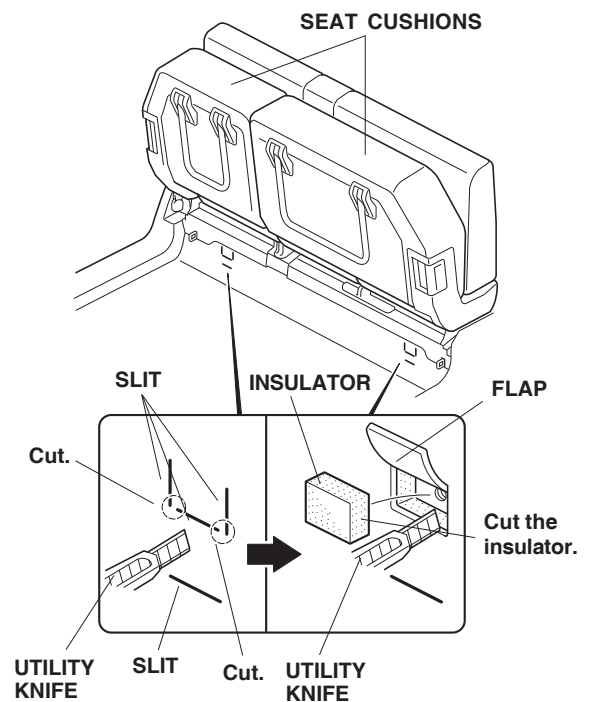
10 mm Socket

Utility knife

INSTALLATION

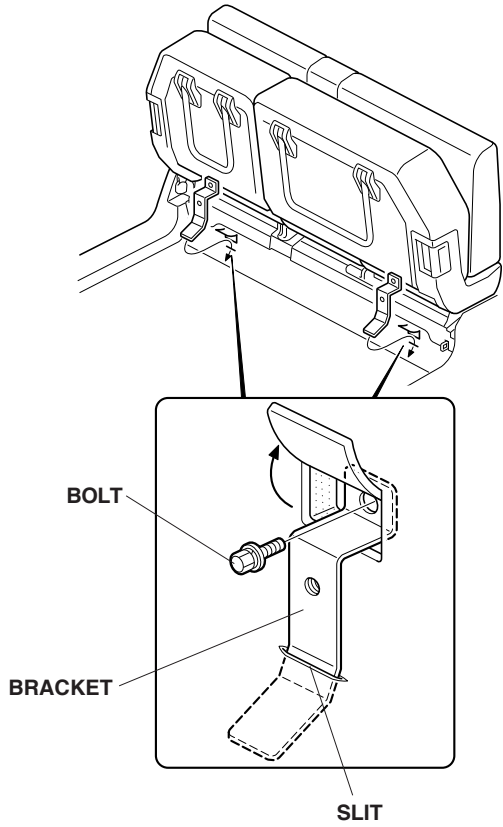
Customer Information: The information in this installation instruction is intended for use only by skilled technicians who have the proper tools, equipment, and training to correctly and safely add equipment to your vehicle. These procedures should not be attempted by "do-it-yourselfers."

1. Raise the rear seat cushions.
2. Locate the slits in the carpet in two places. Using a utility knife, cut the carpet between the slits to create a flap.

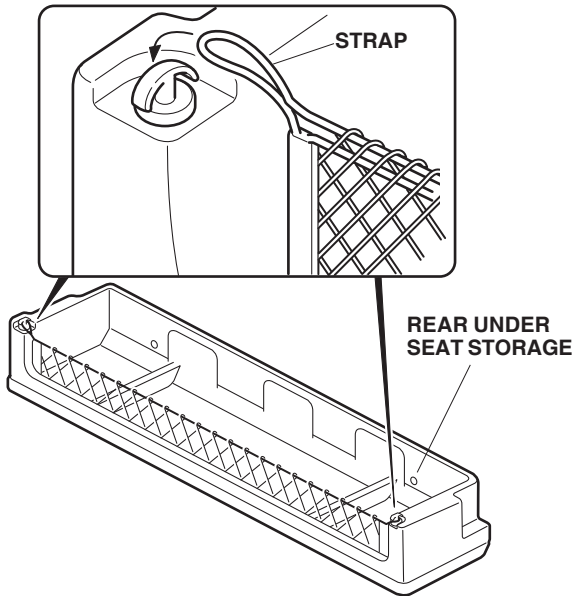


3. Lift the flap. Cut and remove the insulator to locate the threaded hole in each location.

4. Insert the brackets into the openings and the slits in the carpet. Install the bolts to secure the brackets.



5. Attach the right and left strap ends to the hooks on the rear under seat storage.



6. Position the rear under seat storage on the carpet, and align the holes in the rear under seat storage with the holes in the brackets. Secure the seat storage with the two knob bolts.

