



# INSTALLATION INSTRUCTIONS

Accessory  
**SOFT CARGO BAG**  
P/N 08L20-E09-100

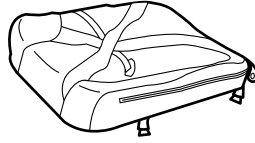
Application  
**2012 PILOT**

Publications No.  
**All 46401**  
Issue Date  
**AUG 2011**

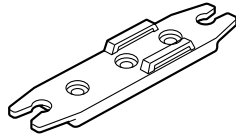
Keep this information in the glove box with the owner's manual of the vehicle.

## PARTS LIST

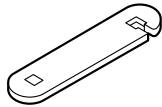
Soft cargo bag



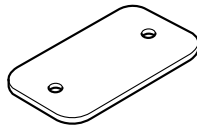
4 Brackets A



4 Brackets B



4 Plates A



8 Knobs



8 Bolts



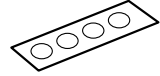
8 Washers



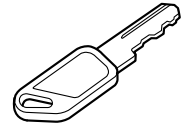
2 Straps



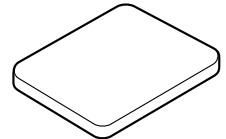
Seals



2 Keys



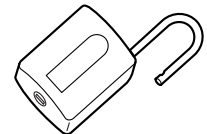
4 Large pads



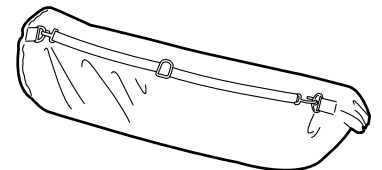
4 Small pads



Lock



Storage bag



## TOOLS AND SUPPLIES REQUIRED

Isopropyl alcohol

Shop towel

## INSTALLATION

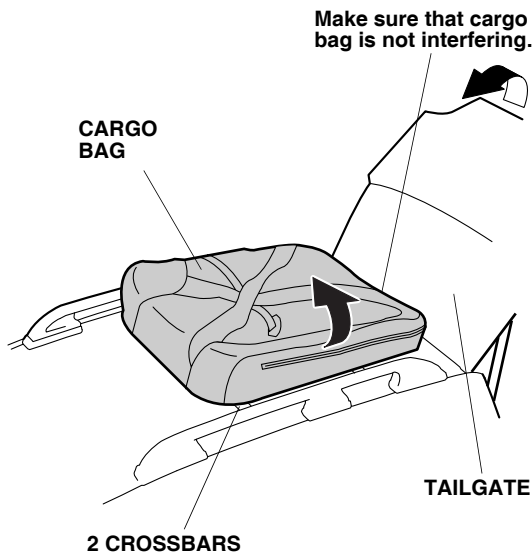
**Customer Information:** The information in this installation instruction is intended for use only by skilled technicians who have the proper tools, equipment, and training to correctly and safely add equipment to your vehicle. These procedures should not be attempted by “do-it-yourselfers.”

### NOTE:

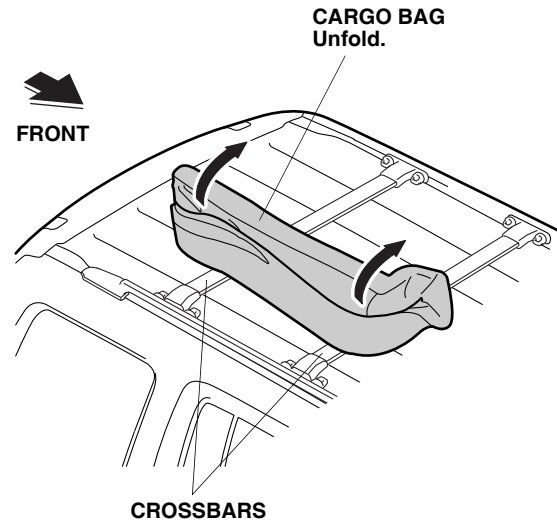
- This soft cargo bag is designed to be used exclusively with the cross bars, which are sold separately.
- Do not use non-Honda accessories, carriers or attachment sets with this cargo bag kit.
- Install the cargo bag after installing the crossbars on the roof.
- Do not damage the cargo and other finished surfaces of the body when installing the cargo bag.
- The maximum load capacity for the cargo bag is 50 kg (110 lbs).
- The maximum load capacity for the cargo racks varies from model to model. Check the vehicle owner’s manual, the roof rack installation instruction, or the load label on the rack for the roof rack load capacity.

### Installing the Cargo Bag

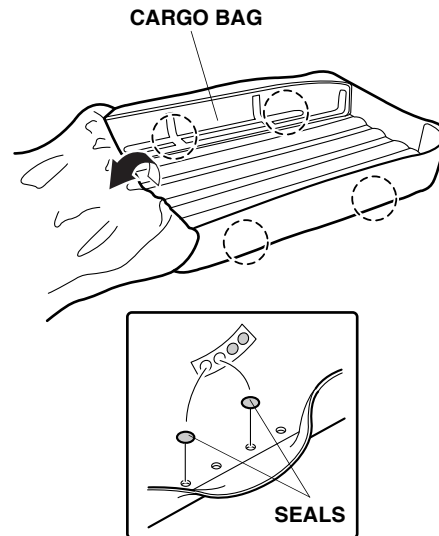
1. Set the cargo bag on the crossbars. Open the tailgate to make sure that the roof bag is not interfering with the tailgate.



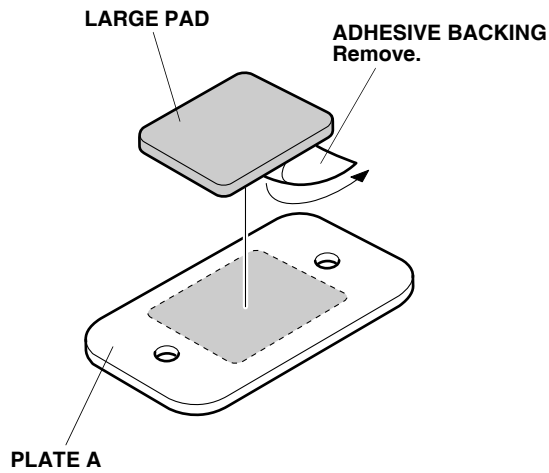
2. With the help of an assistant, carefully unfold the cargo bag on the crossbars.



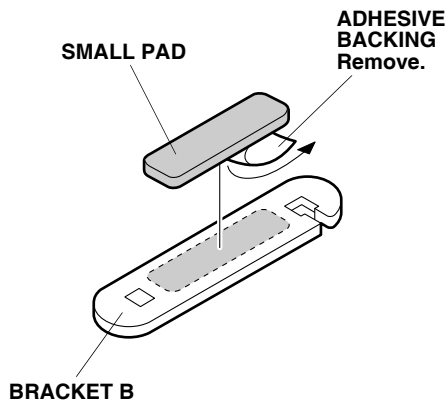
3. Attach the seals over the unused mounting holes in the cargo bag as shown.



- Using isopropyl alcohol on a shop towel, thoroughly clean the area where the large pad will attach.

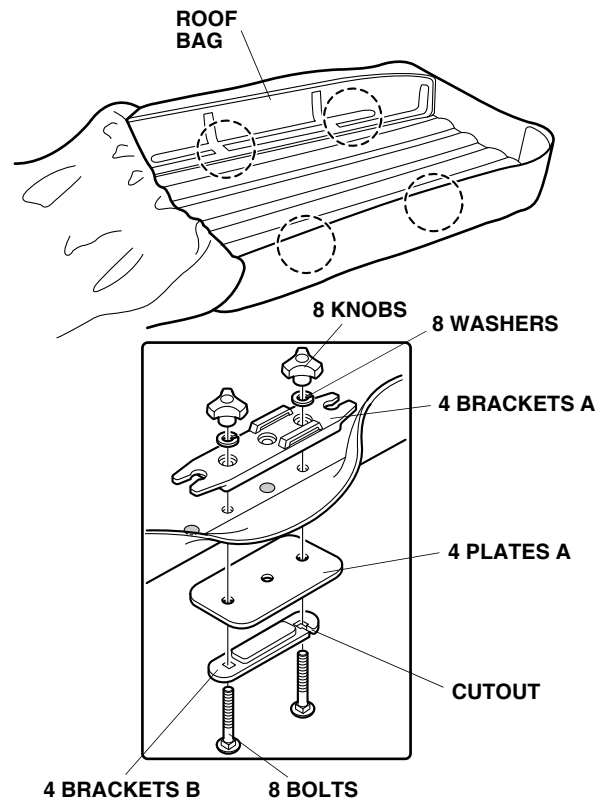


- Remove the adhesive backing from the large pad and attach it to plate A.
- Repeat steps 4 and 5 to install pads on the other three plates.
- Using isopropyl alcohol on a shop towel, thoroughly clean the area where the small pad will attach.



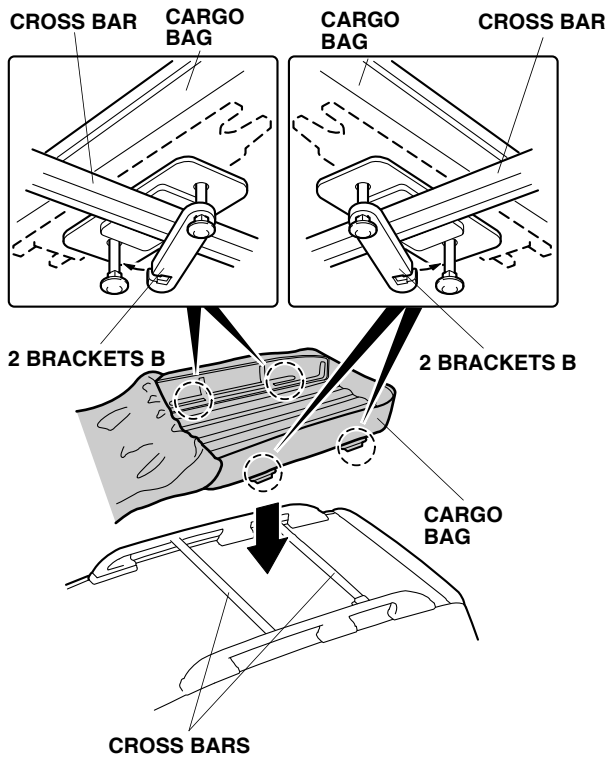
- Remove the adhesive backing from the small pad and attach it to a bracket B.
- Repeat steps 7 and 8 to install pads on the other three brackets B.

- Position the brackets A to align the holes evenly on both sides.

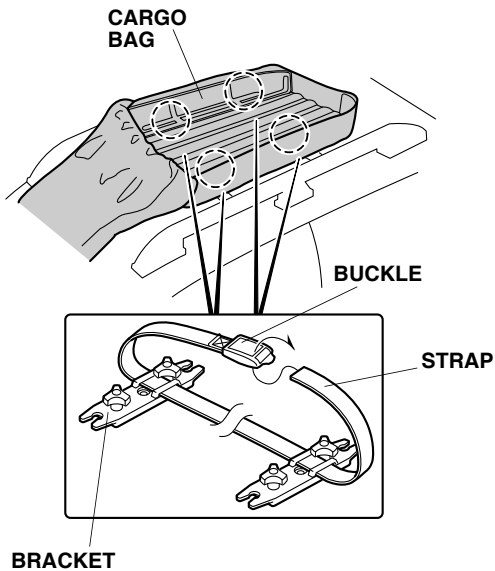


- Loosely install four brackets A, four plates A, and four brackets B to the cargo bag with two bolts, two washers, and two knobs for each location shown. Be sure the cutout on bracket B is facing outward.

- With the help of an assistant, carefully place the cargo bag on the cross bars.

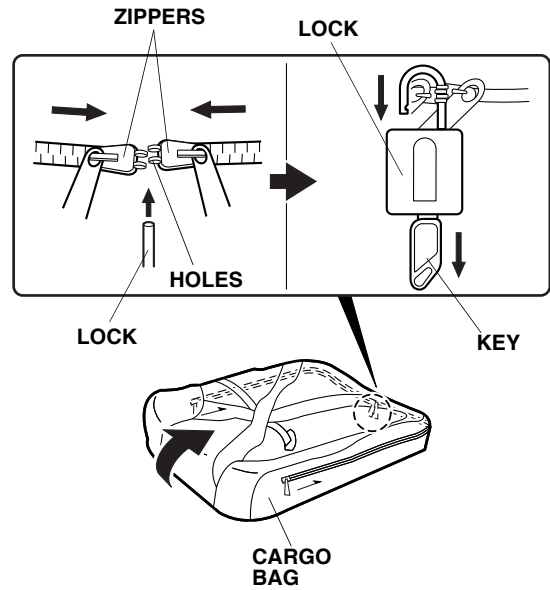


- Hook the cutout end of bracket B to the bolts installed in step 11, and tighten the knobs.
- Repeat the same procedure for the other brackets B.
- Route two straps through four brackets A and secure them at the buckles.

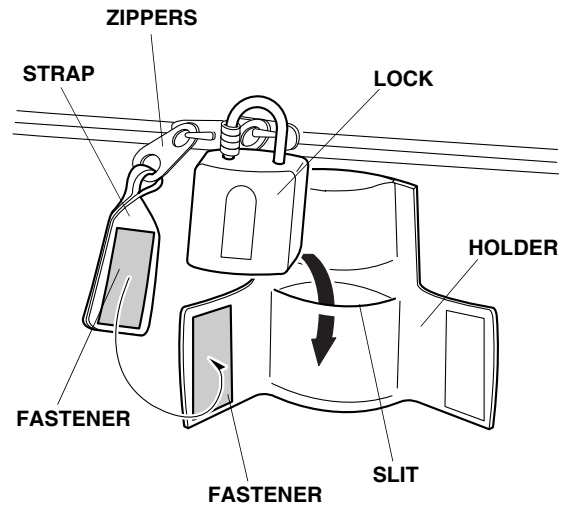


### Securing the Soft Cargo Bag

- Close the cargo bag.

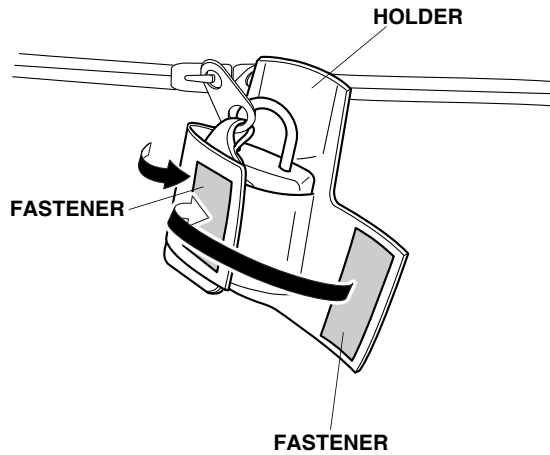


- Align the holes on the zippers and insert the lock through the holes.
- Secure the lock and remove the key.
- Insert the lock into the slit on the holder.

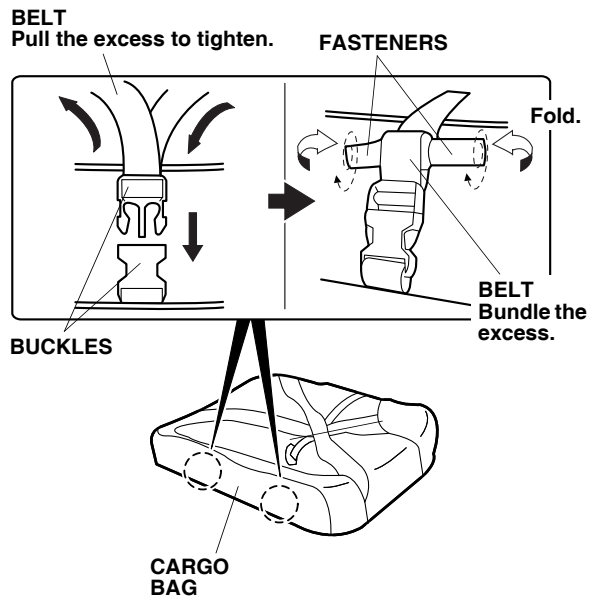


- Attach the fastener on the strap to the fastener on the holder.

21. Secure the fasteners on the holder as shown.



22. Secure two buckles on the cargo bag and pull the excess belt on the buckles to tighten.



23. Bundle the excess belts on the buckles as shown and fold the fasteners inward to secure the belts on the buckles.

## USE AND CARE

- Load the weight equally on both sides to minimize imbalance.
- Do not overload the cargo bag.
- The addition of the cargo bag on the vehicle raises the overall height of the vehicle. Pay attention to overhead obstacles when driving with the cargo bag.
- Before driving, after driving, or after loading weight in the cargo bag, check the security of the attachment mounts and retighten them as necessary.

## PRECAUTION

Before driving, check that the cargo bag is locked securely regardless of whether or not you have items loaded in the cargo bag.

## IMPORTANT INFORMATION

- Avoid sudden starts or stops with the cargo bag on the vehicle. It may cause bolts and other fasteners to loosen.
- Be sure to check all mounting hardware for tightness at regular intervals during travel.
- Max load is 50 kg (110 lbs).
- This cargo bag is water resistant. Cargo should be packed in plastic bags if extreme weather conditions are expected.
- Zipper closing should always be facing toward the back of the vehicle.
- Avoid removing the cargo bag from the roof while it is fully loaded.
- For cleaning, a damp sponge works best using only water with a mild detergent which contains no additives (such as alcohol, chlorine, or ammonia) as these could discolor the cargo bag's surface. Allow to air dry completely.