



# INSTALLATION INSTRUCTIONS

Accessory  
**CARGO COVER**

Application  
**2012 PILOT**

Publications No.  
**All 46369**

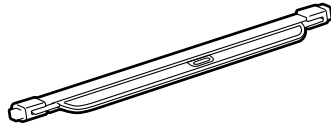
Issue Date  
**AUG 2011**

Put this information in the glove box with the vehicle owner's manual.

## PARTS LIST

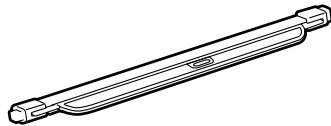
**Cargo Cover (without power tailgate)**  
P/N 08U35-SZA-1X0

Cargo cover



**Cargo Cover (with power tailgate)**  
P/N 08U35-SZA-1X0A

Cargo cover



## TOOLS AND SUPPLIES REQUIRED

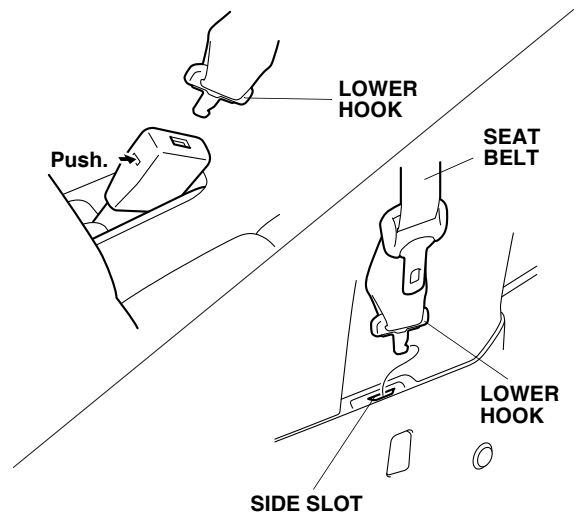
Small flat-tip screwdriver

## INSTALLATION

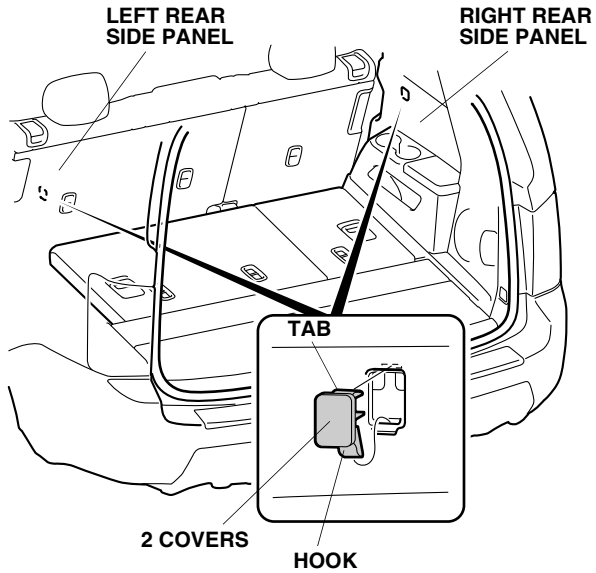
NOTE: This cargo cover cannot be installed on vehicles with a cargo liner.

### Installing the Cargo Cover

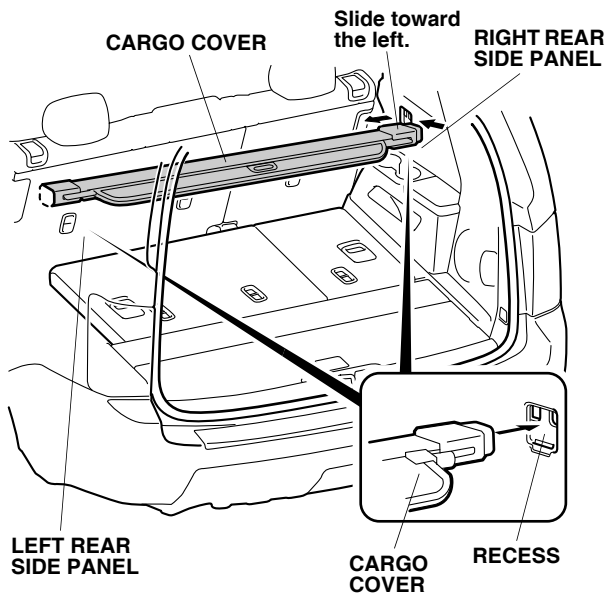
1. Using a small flat-tip screwdriver, push and release the seat belt lower hooks from the third row seat. Insert the seat belt lower hooks into the side slots.



2. Fold down the third row seat.



3. Using a small flat-tip screwdriver, remove the covers from the right and left rear side panels by releasing the tab and hook. Save the covers in the glove box so they can be reinstalled when the cargo cover is removed.
4. Install the cargo cover into the recess in the left rear side panel in the direction shown, then compress the cargo cover, and install it in the right rear side panel.



5. Pull out the cargo cover, and attach the right and left rods on the cargo cover to the right and left rear side panel.

