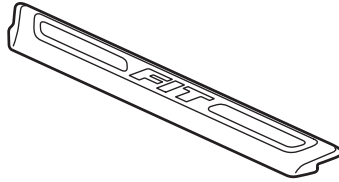


**PARTS LIST**

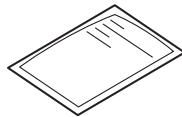
2 Front door sill trim



2 Rear door sill trim



4 Alcohol swabs

**TOOLS AND SUPPLIES REQUIRED**

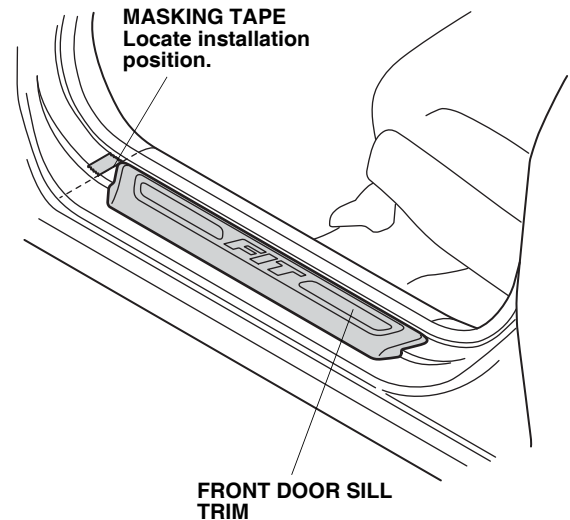
Masking tape

**INSTALLATION****NOTE:**

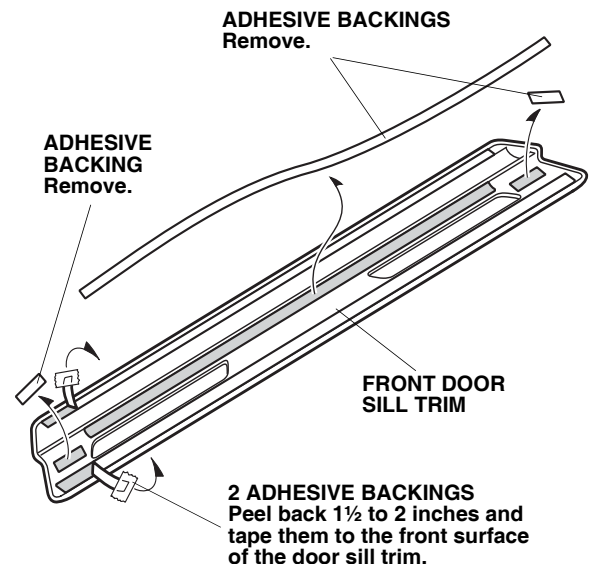
- Be careful not to damage the paint finish.
- The door sill trim should be installed only if the ambient air temperature is 15°C (60°F) or above.
- To allow the adhesive to cure, do not wash the vehicle for 24 hours.

**Installing the Front Door Sill Trim**

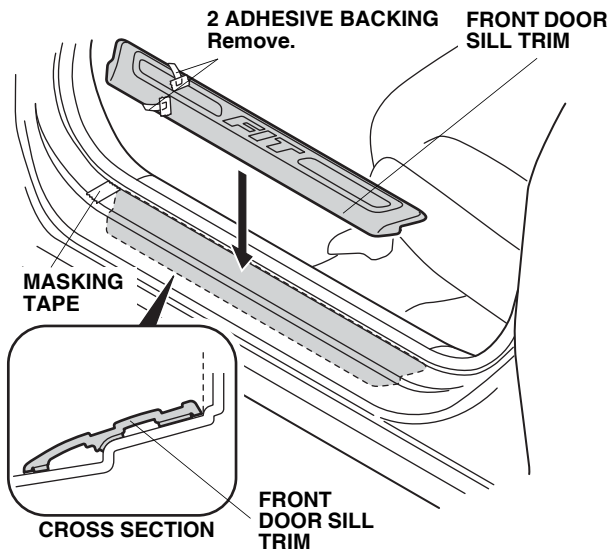
1. Open the left front door.
2. Align the front door sill trim with the left front door sill to check the installation location of the trim. Mark the location with masking tape.



3. Peel back approximately 1½ to 2 inches of the adhesive backing from the two outer adhesive strips, and tape the ends to the front surface of the front door sill trim. Remove the remaining three pieces of adhesive backing from the trim.



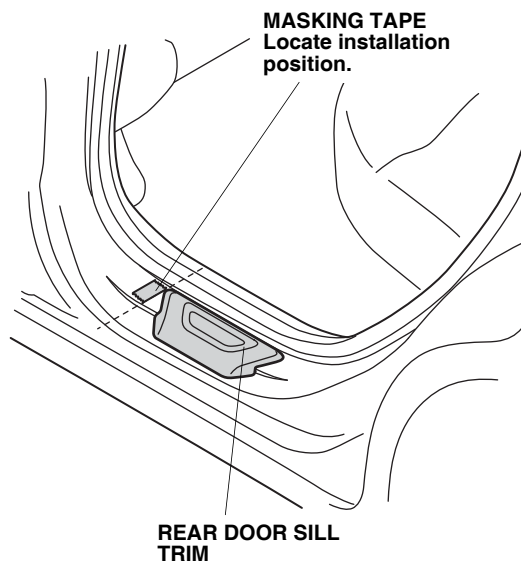
- Using an alcohol swab, clean the surface where the front door sill trim will be installed.



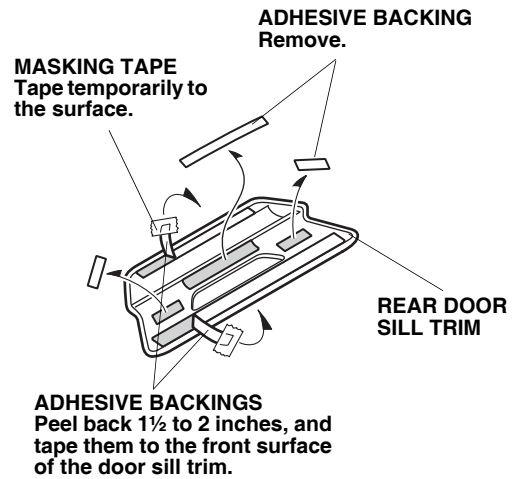
- Align the end of the front door sill trim with the masking tape and install the front door sill trim.
- While applying pressure to the front door sill trim, carefully remove the two adhesive backings.
- Repeat steps 1 to 6 for the right side.

### Installing the Rear Door Sill Trim

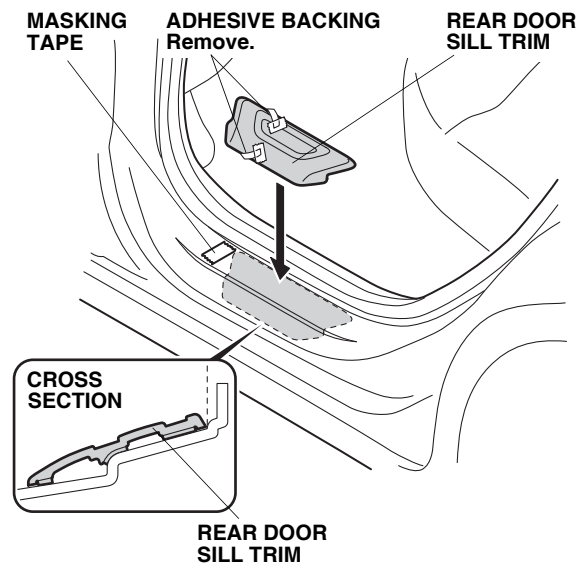
- Open the left rear door.
- Align the rear door sill trim with the left door sill to check the installation location of the trim. Mark the location with a piece of masking tape.



- Peel back 1½ to 2 inches of adhesive backing from the two outer adhesive strips, and tape the ends to the front surface of the rear door sill trim. Remove the remaining three pieces of adhesive backing from the trim.



- Using an alcohol swab, clean the surface where the rear door sill trim will be installed.



- Align the end of the rear door sill trim with the masking tape and install the rear door sill trim.
- While applying pressure to the rear door sill trim, carefully remove the two adhesive backings.
- Repeat steps 8 to 13 for the right side.