



# INSTALLATION INSTRUCTIONS

Accessory  
**CARGO LINER**  
P/N 08P42-TK6-100

Application  
**2012 FIT**

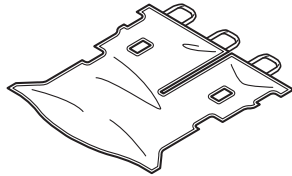
Publications No.  
**All 46716-46973**

Issue Date  
**AUG 2011**

Put this information in the glove box with the vehicle owner's manual.

## PARTS LIST

Center cargo liner



Left cargo liner



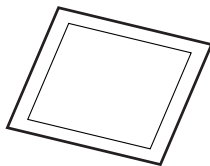
Right cargo liner



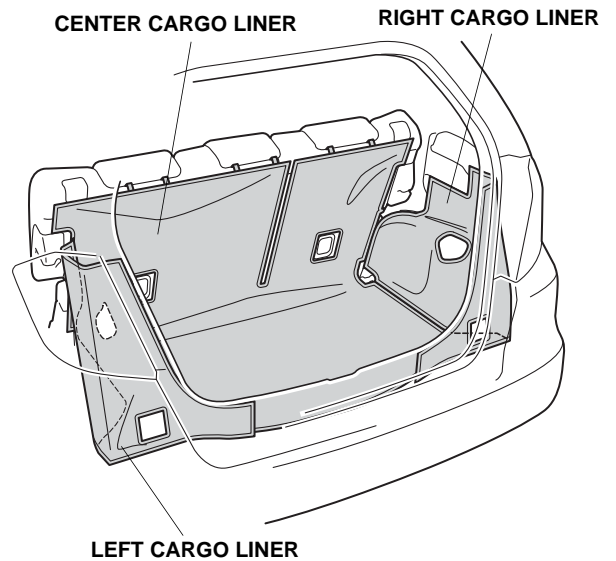
26 Fastener pads



4 Alcohol swabs



## Illustration of the Cargo Liner installed in the vehicle

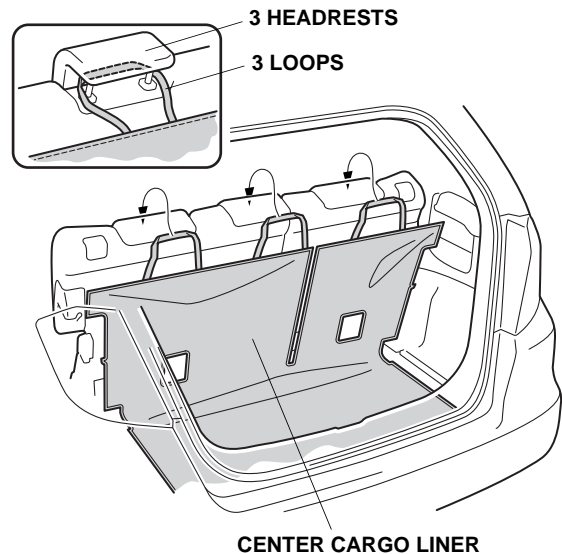


## INSTALLATION

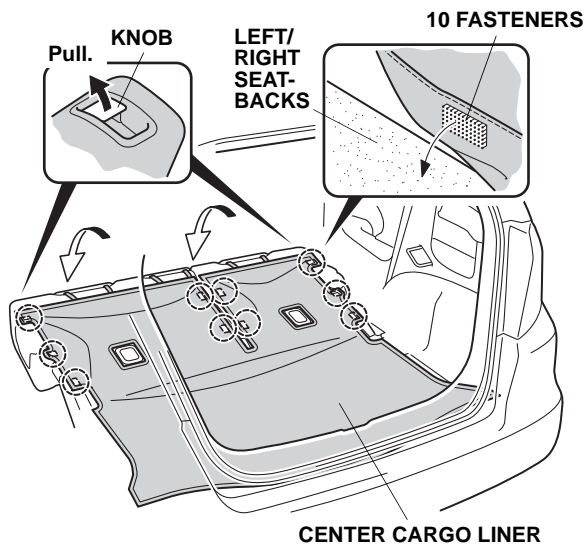
**NOTE:** This cargo liner kit should be installed only if the ambient air temperature is 60°F (15°C) or above. Heat the cargo liner and bonding surfaces with a hair dryer set on LOW if the ambient air temperature is below 60°F (15°C).

### Installing the Cargo Liner

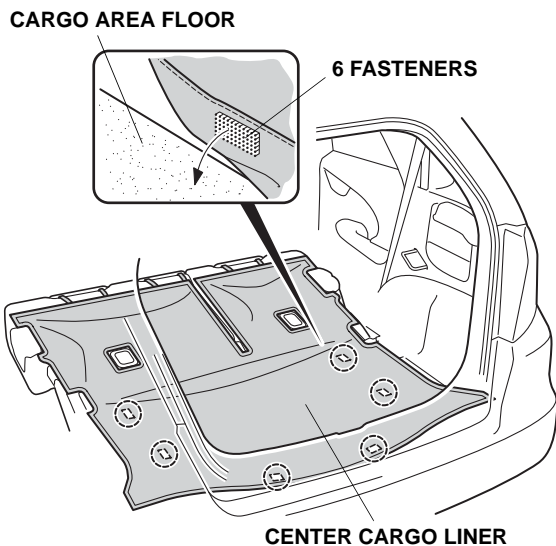
1. Open the tailgate. Install the three loops on the center cargo liner under the rear seat headrests.



2. Pull the knobs and fold down the left and right seat-backs. Position the center cargo liner on the left and right seat-backs. Secure the center cargo liner to the left and right seat-backs with 10 hook-and-loop fasteners.

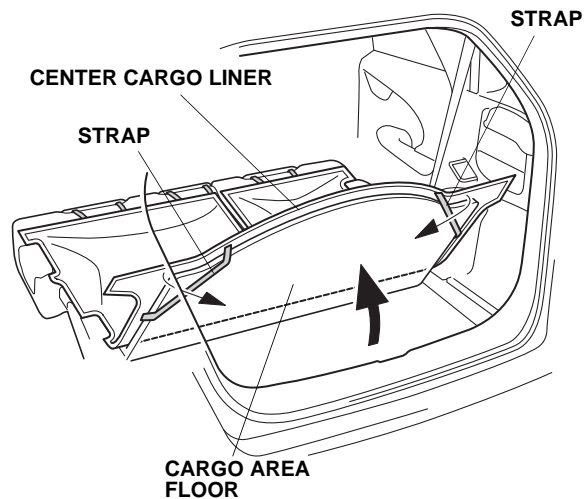


3. Position the center cargo liner on the cargo area floor. Secure the center cargo liner to the cargo area floor with six hook-and-loop fasteners.

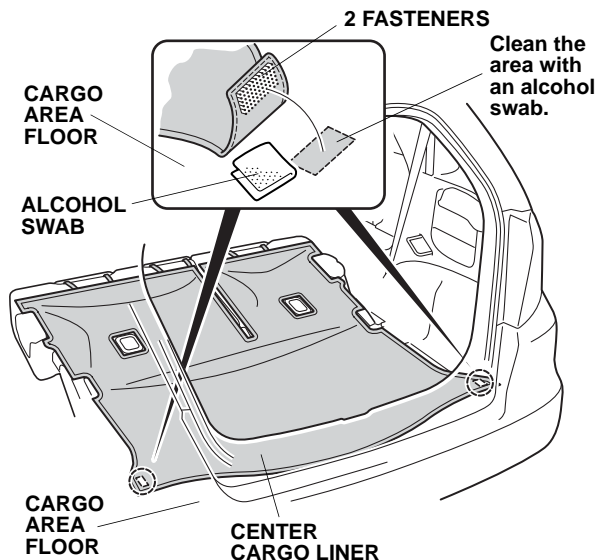


*If the vehicle is equipped with an accessory Magic Board, go to step 6. If not, continue with step 4.*

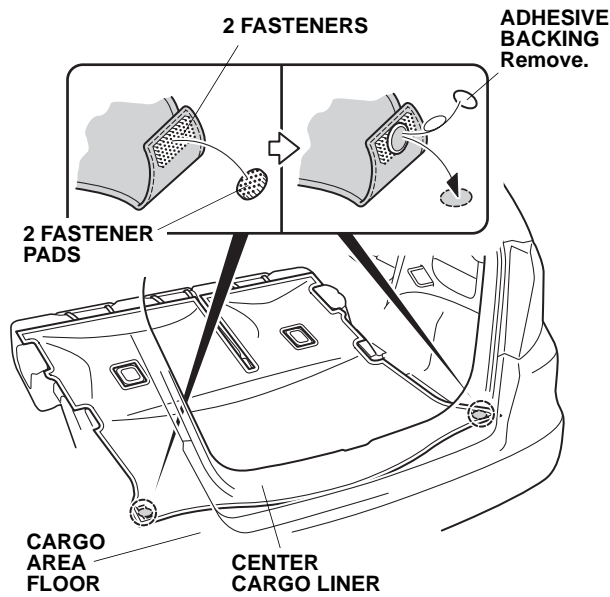
4. Lift the cargo area floor. Install the two straps on the center cargo liner around the edge of the cargo area floor.



5. Lower the cargo area floor.
6. Position the center cargo liner on the cargo area floor. Fold over the rear corners. Using an alcohol swab, clean the areas where the fastener pads will attach.



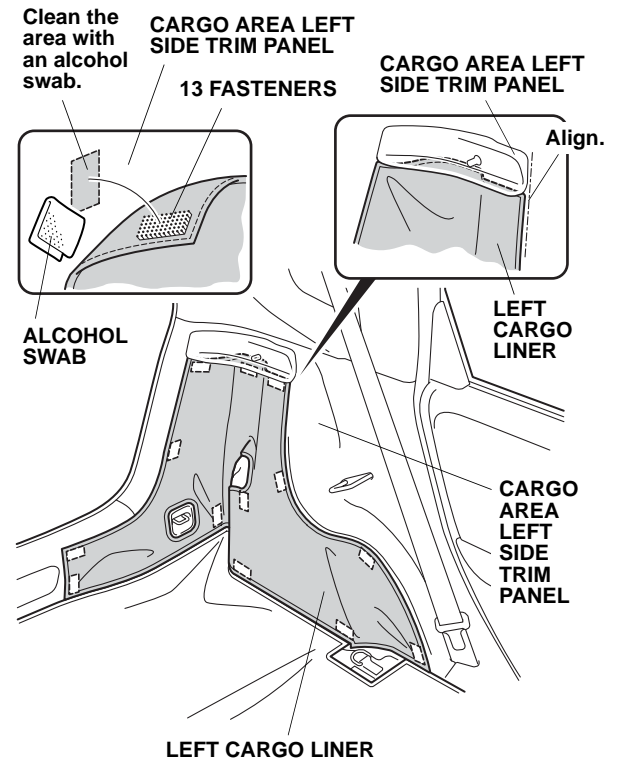
- Attach two fastener pads to the center cargo liner fasteners as shown.



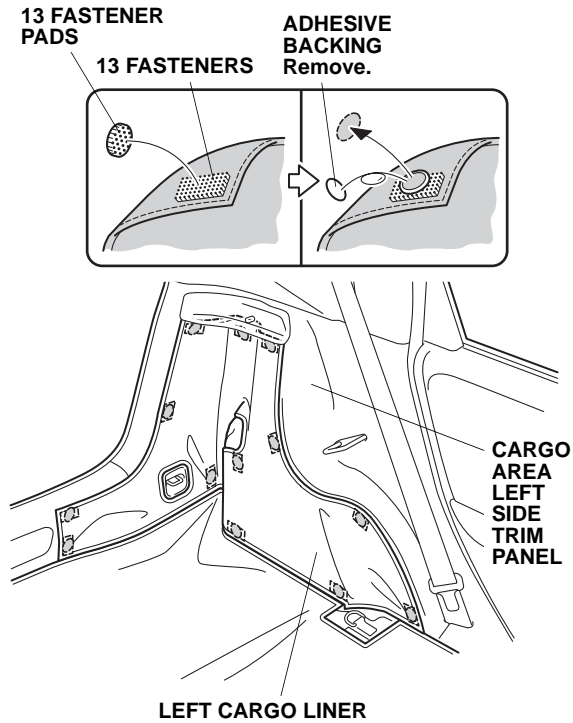
- Remove the adhesive backings from the two fastener pads, position the center cargo liner, and attach the two fastener pads to the cargo area floor.

### Installing the Left Cargo Liner

- Position the left cargo liner on the cargo area left side trim panel. Fold back the edge of the left cargo liner. Using an alcohol swab, clean the areas where the 13 fastener pads will attach.



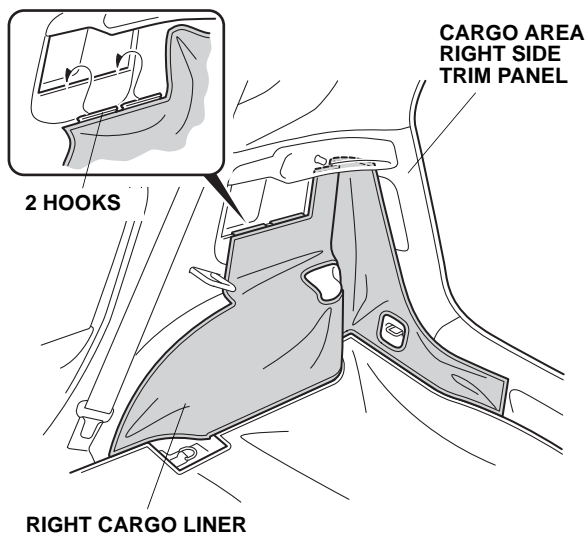
- Attach 13 fastener pads to the fasteners on the left cargo liner as shown.



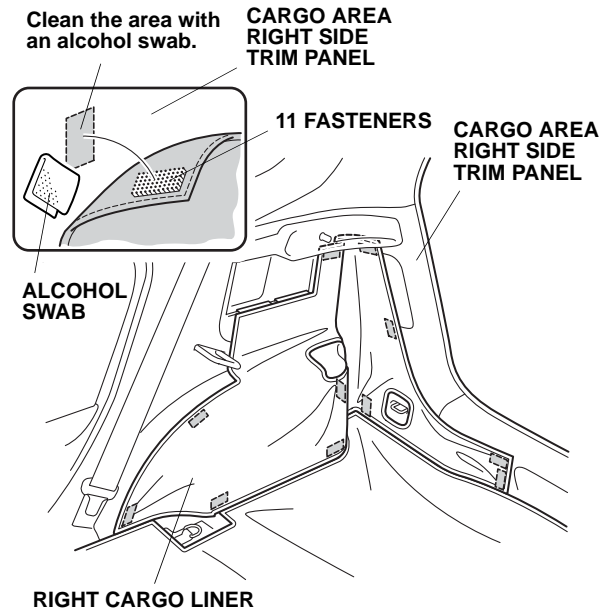
- Remove the adhesive backings from the 13 fastener pads, position the left cargo liner, and attach the 13 fastener pads to the cargo area left side trim panel.

### Installing the Right Cargo Liner

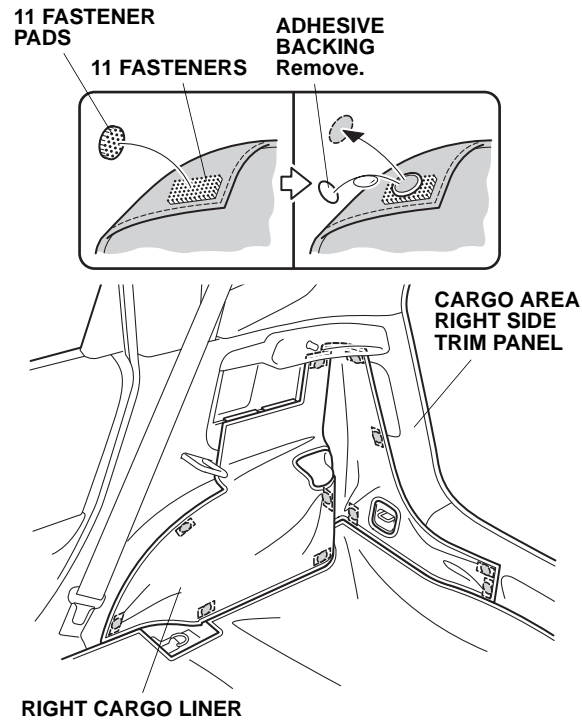
- Install the two hooks on the right cargo liner to the recess in the cargo area right side trim panel.



- Position the right cargo liner on the cargo area right side trim panel. Fold back the edge of the right cargo liner. Using an alcohol swab, clean the areas where the 11 fastener pads will attach.



- Attach 11 fastener pads to the fasteners on the right cargo liner as shown.



- Remove the adhesive backings from the 11 fastener pads, position the right cargo liner, and attach the 11 fastener pads to the cargo area right side trim panel.